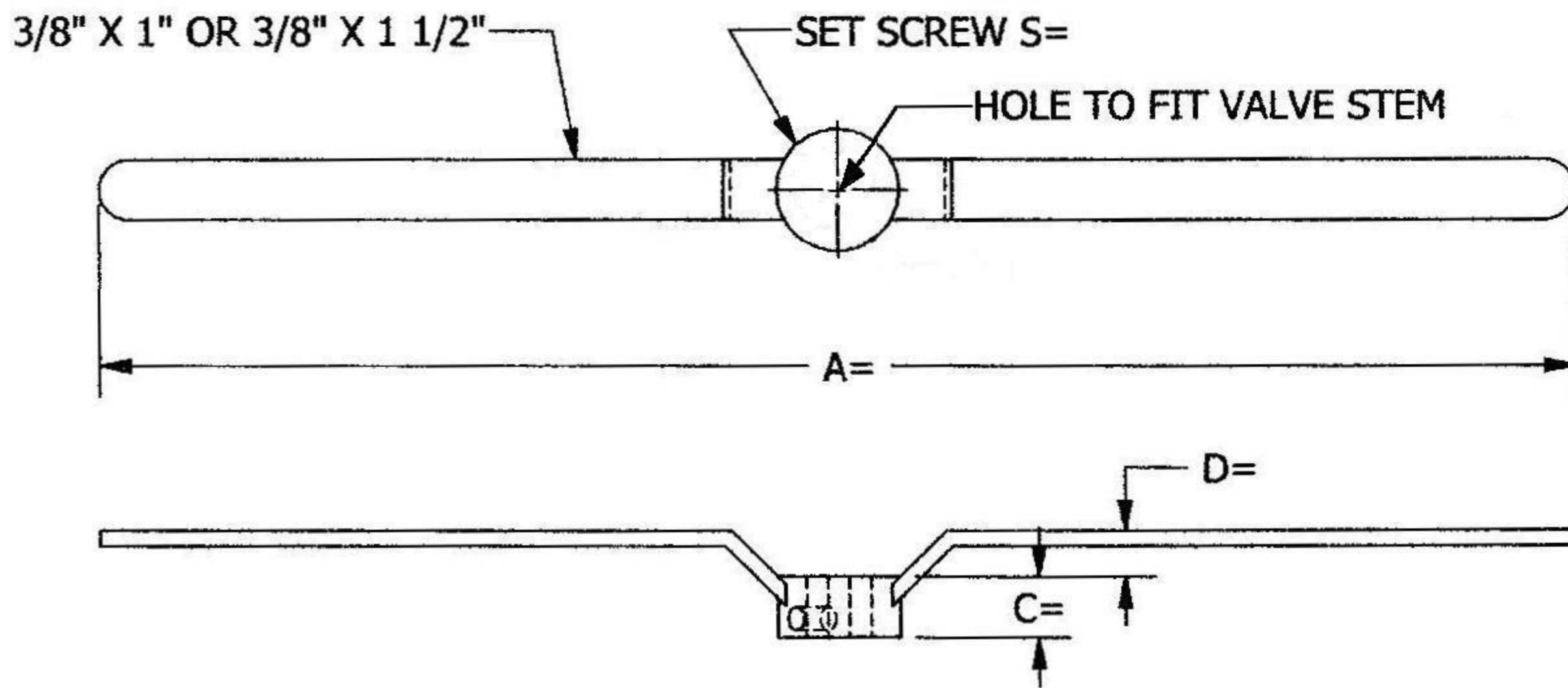


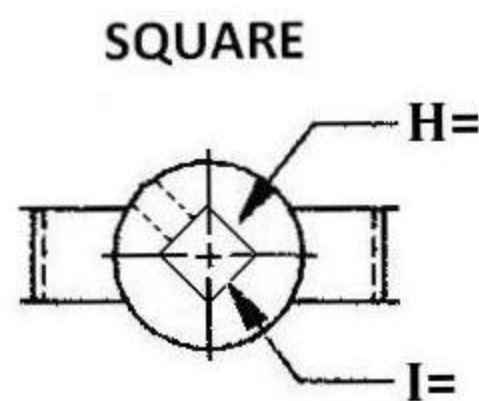
DIMENSIONS A, C, D AND SET SCREW SIZE WILL BE DETERMINED BY THE VALVE THAT THE CHAIN BAR IS TO BE USED ON

SIZE 1/0 GALVANIZED CHAIN WILL BE FURNISHED PER REQUIRED LENGTH

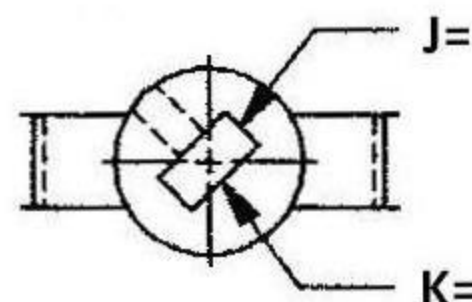


DIMENSIONS REQ'D

A=	
C=	
D=	
SQUARE HOLE:	
H=	
I=	
RECTANGLE-DOUBLE-D:	
J=	
K=	
S=	
Chain Length=	



RECTANGLE OR DOUBLE D



ROTO HAMMER

TITLE:

CHAIN BAR WRENCH
CBW-3 OR CBW-6

SIZE DWG. NO.

A RH-125

REV

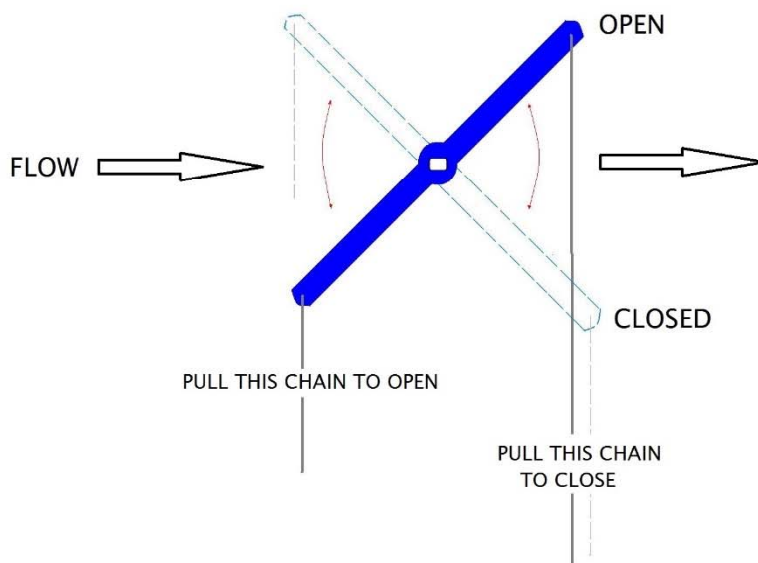
1

SCALE: NTS WEIGHT:

SHEET 1 OF 1

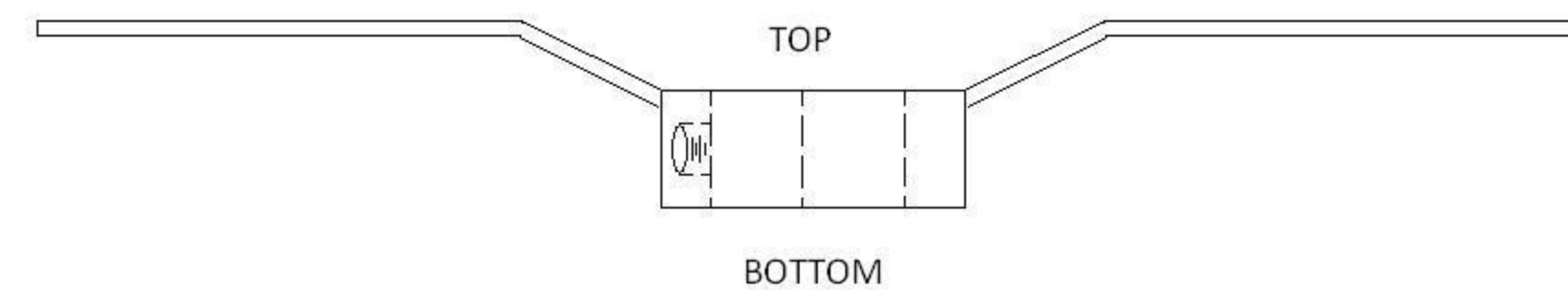
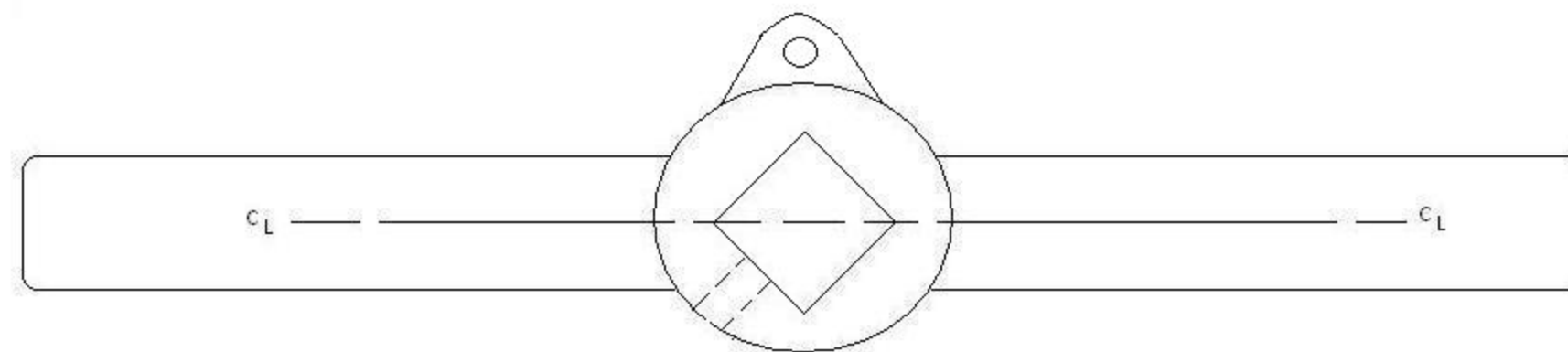
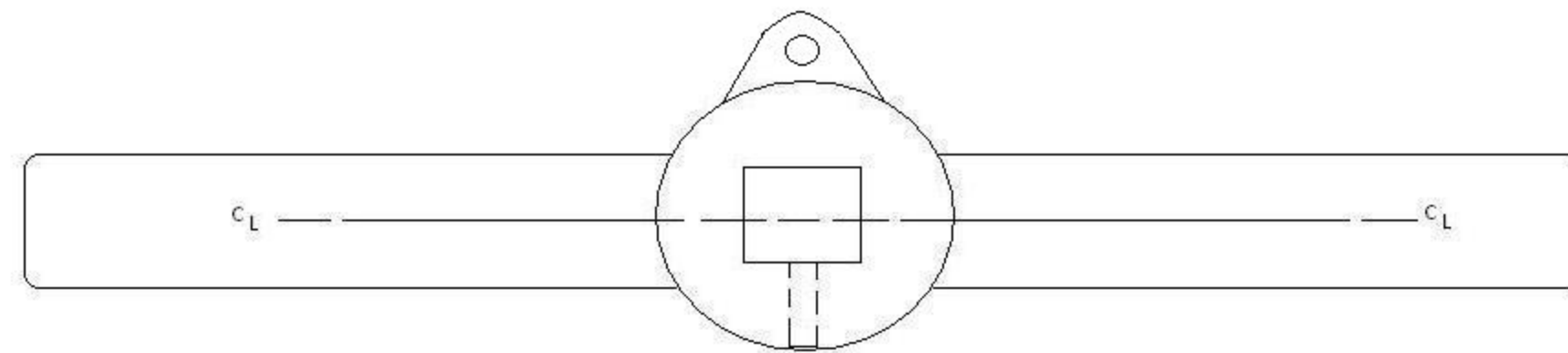
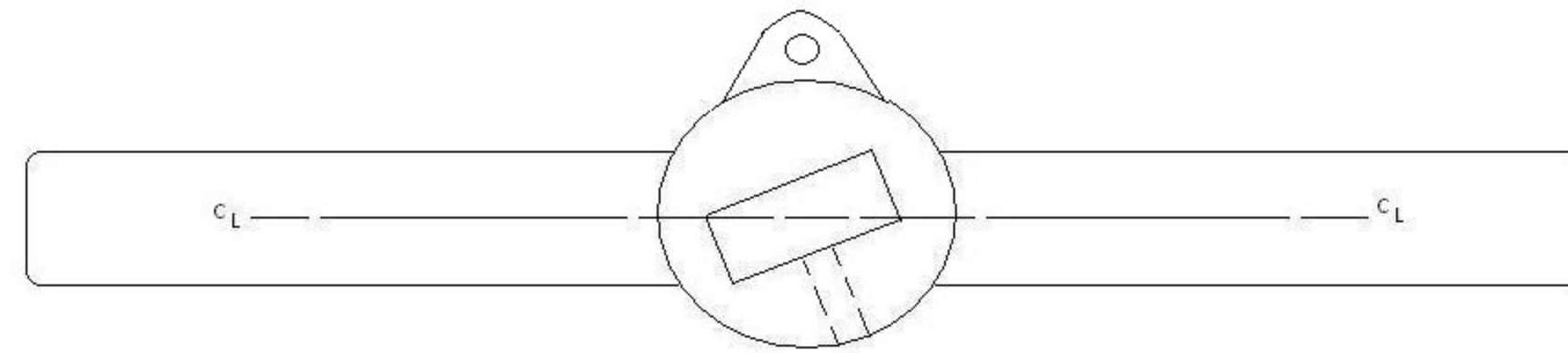
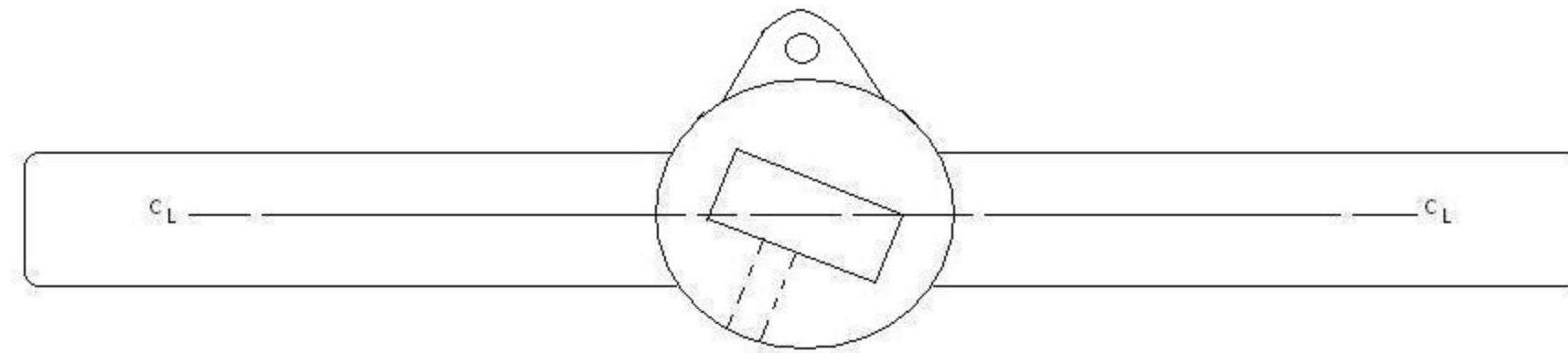
Chain Bar Timing Layout

When deciding the chain bar timing sheet layout the chain bar when installed should be at a 45 degree angle. This is so that the chain bars opposite side will go to 45 degree when actuated. If there are handle stops on the valve you must look at which direction it needs to actuate without the stops keeping it from turning.



TIMING FOR CHAINBAR WRENCHES

TOP VIEW



QTY:	DATE:
APPROVED BY:	
CHECKED BY:	
FIT BY:	
NOTE: "X" THE ONES THAT DO NOT APPLY	