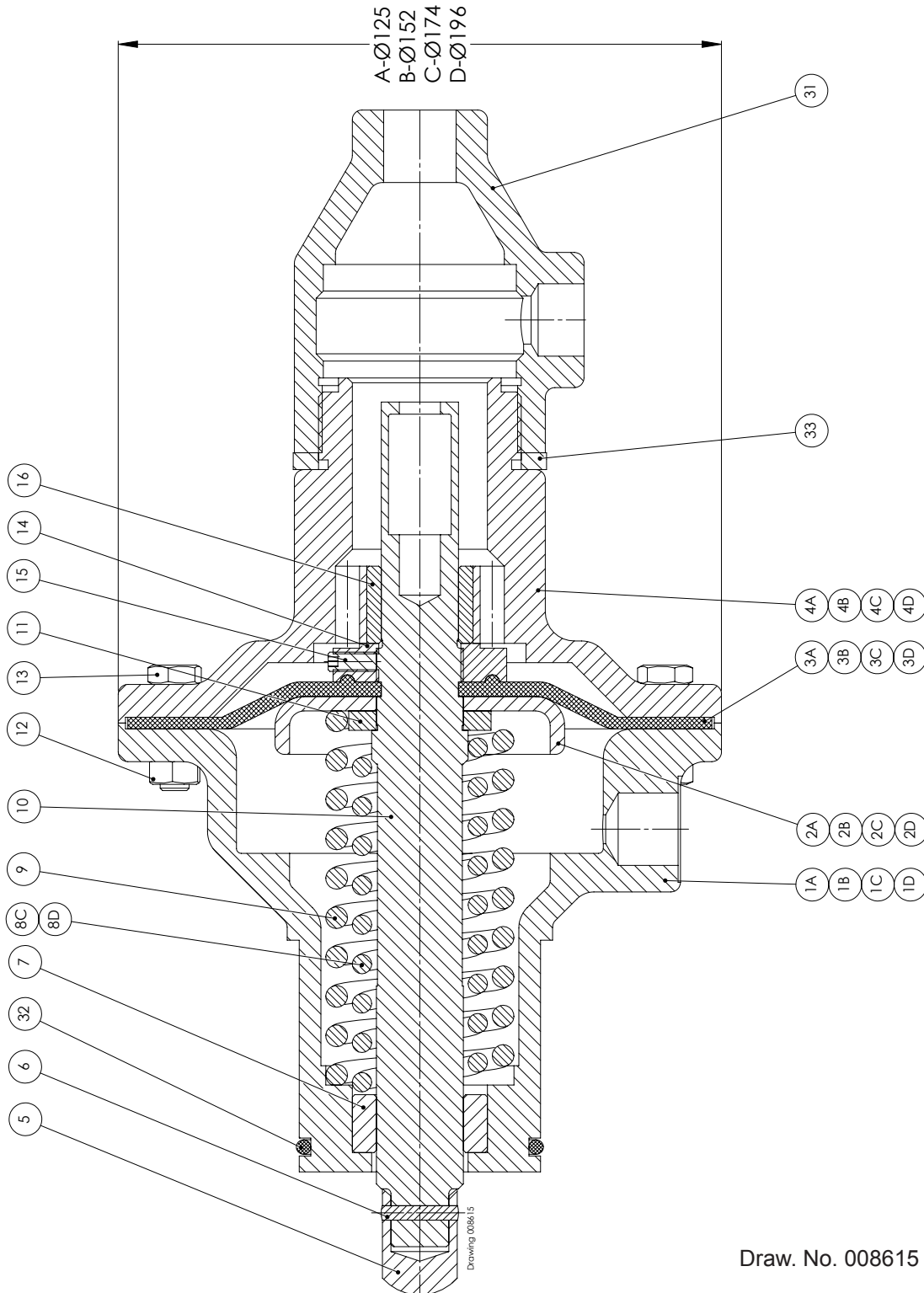


Twin Power

Pneumatic multi-turn actuators for all types of valves

Spare part list **6:S1 STEP** - Diaphragm Motor



Draw. No. 008615

**MEMBRANMOTOR - DIAPHRAGM MOTOR - MEMBRAN MOTOR - MOTEUR MEMBRANE
TWIN POWER 114 & 214
STEP**

Det. No.	Art. No.	Quantity				Benämning	Denomination	Bezeichnung	Designation
		A	B	C	D				
1A	402113	1				Främre membranhus	Front diaphragm casing	Vorderes Membrangehäuse	Enveloppe antérieure de membrane
1B	402114		1			"	"	"	"
1C	402115			1		"	"	"	"
1D	402116				1	"	"	"	"
2A	402117	1				Membranbricka	Diaphragm plate	Membranscheibe	Plaque de membrane
2B	402118		1			"	"	"	"
2C	402119			1		"	"	"	"
2D	402120				1	"	"	"	"
3A*	401141	1				Membran	Diaphragm	Membran	Membrane
3B*	401142		1			"	"	"	"
3C*	401143			1		"	"	"	"
3D*	401144				1	"	"	"	"
4A	402121	1				Bakre membranhus	Back diaphragm plate	Hinteres Membrangehäuse	Enveloppe postérieure de membrane
4B	402122		1			"	"	"	"
4C	402123			1		"	"	"	"
4D	402124				1	"	"	"	"
5	401400	1	1	1	1	Anslag	Stop	Anschlag	Butée
6	401417	1	1	1	1	Räffelpinne	Grooved pin	Kerbstift	Clavette cannelée
7	401152	1	1	1	1	Lager	Bearing	Lager	Pailer
8C/8D	401153			1	1	Returfjäder	Return spring	Rückzugfeder	Ressort de retour
9	401154	1	1	1	1	Returfjäder	Return spring	Rückzugfeder	Ressort de retour
10	402630	1	1	1	1	Axel	Shaft	Welle	Arbre
11	402128	1	1	1	1	Bricka	Washer	Unterlagscheibe	Rondelle
12	401158	8	8	8	8	Mutter	Nut	Mutter	Écrou
13	503120	8	8	8	8	Skruv	Screw	Schraube	Vis
13	259311	8	8	8	8	Bricka	Washer	Unterlagscheibe	Rondelle
14	401161	1	1	1	1	Mutter	Nut	Mutter	Écrou
15	401162	1	1	1	1	Stopskruv	Set screw	Hemmschraube	Vis d'arrêt
16	401163	1	1	1	1	Lager	Bearing	Lager	Pailer
31	402129	1	1	1	1	Ventilhus	Valve casing	Ventilgehäuse	Lanterne de soupape
32*	401165	1	1	1	1	O-ring	O-ring	O-ring	Joint torique
33*	401308	1	1	1	1	Tättningsbricka	Tredo seal washer	Dichtungsscheibe	Tredo rondelle

*) Complete set of packings include item No. 3, 32, 33

Art. No. 404047 A-motor

Art. No. 402682 B-motor

Art. No. 402716 C-motor

Art. No. 402679 D-motor

