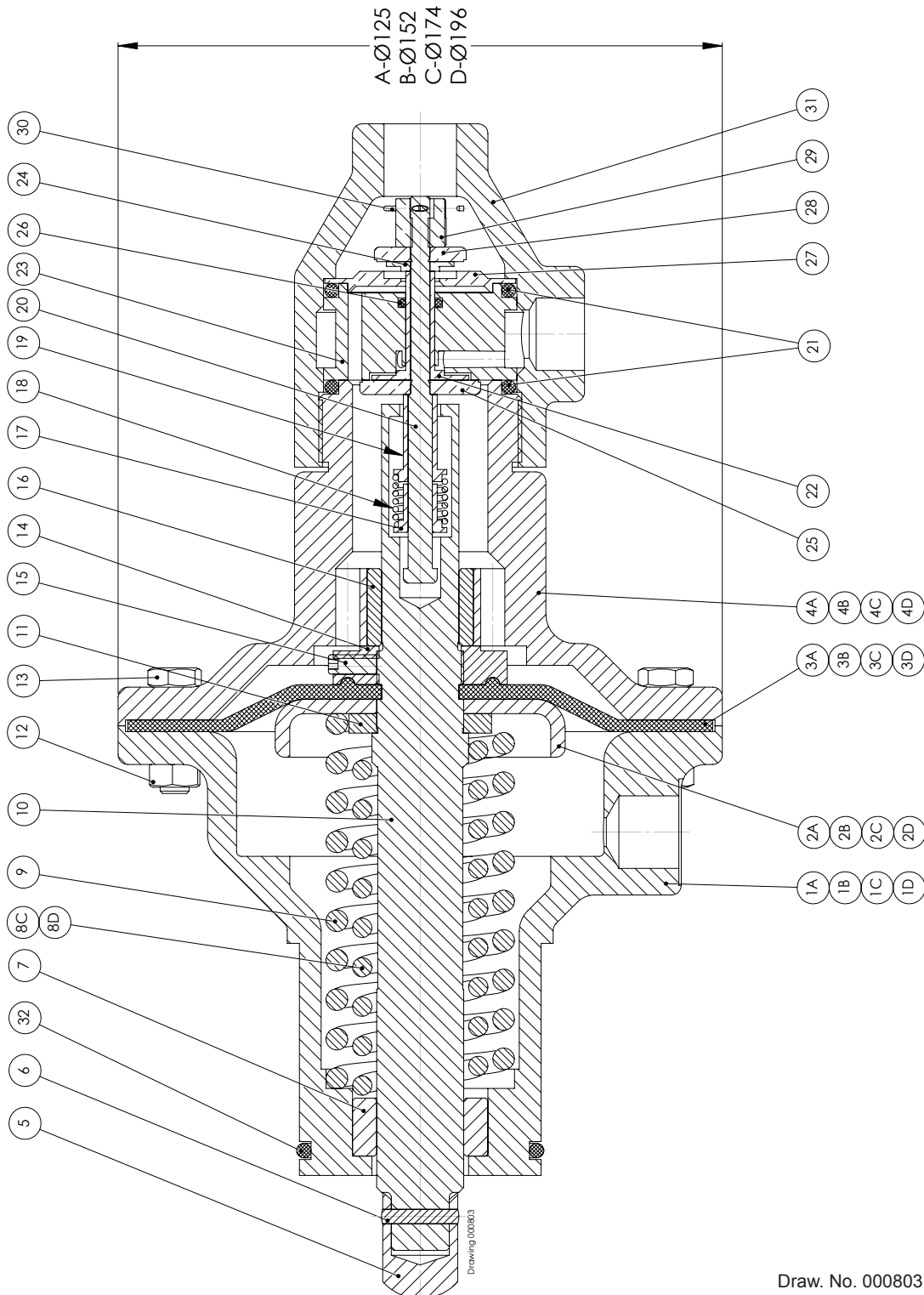


Twin Power

Pneumatic multi-turn actuators for all types of valves

Spare part list 6:S1 - Diaphragm Motor



Draw. No. 000803

**MEMBRANMOTOR - DIAPHRAGM MOTOR - MEMBRANMOTOR - MOTEUR MEMBRANE
TWIN POWER TYPE 114 & 214**

Det. No	Art. No	Quantity				Benämning	Denomination	Bezeichnung	Designation
		A	B	C	D				
1A	402113	1				Främre membranhus	Front diaphragm casing	Vorderes Membrangehäuse	Enveloppe antérieure de membrane
1B	402114		1			"	"	"	"
1C	402115			1		"	"	"	"
1D	402116				1	"	"	"	"
2A	402117	1				Membranbricka	Diaphragm plate	Membranscheibe	Plaque de membrane
2B	402118		1			"	"	"	"
2C	402119			1		"	"	"	"
2D	402120				1	"	"	"	"
3A*	401141	1				Membran	Diaphragm	Membran	Membrane
3B*	401142		1			"	"	"	"
3C*	401143			1		"	"	"	"
3D*	401144				1	"	"	"	"
4A	402121	1				Bakre membranhus	Back diaphragm plate	Hinteres Membrangeäuse	Enveloppe postérieure de membrane
4B	402122		1			"	"	"	"
4C	402123			1		"	"	"	"
4D	402124				1	"	"	"	"
5	401400	1	1	1	1	Anslag	Stop	Anschlag	Butée
6	401417	1	1	1	1	Räffelpinne	Grooved pin	Kerbstift	Clavette cannelée
7	401152	1	1	1	1	Lager	Bearing	Lager	Pailier
8	401153			1	1	Returfjäder	Return spring	Rückzugfeder	Ressort de retour
9	401154	1	1	1	1	Returfjäder	Return spring	Rückzugfeder	Ressort de retour
10	402630	1	1	1	1	Axel	Shaft	Welle	Arbre
11	402128	1	1	1	1	Bricka	Washer	Unterlagscheibe	Rondelle
12	401158	8	8	8	8	Mutter	Nut	Mutter	Écrou
13	503120	8	8	8	8	Skruv	Screw	Schraube	Vis
13	259311	8	8	8	8	Bricka	Washer	Unterlagscheibe	Rondelle
14	401161	1	1	1	1	Mutter	Nut	Mutter	Écrou
15	401162	1	1	1	1	Stoppskruv	Set screw	Hemmschraube	Vis d'arrêt
16	401163	1	1	1	1	Lager	Bearing	Lager	Pailier
17	401115	1	1	1	1	Hylsa	Case	Hülse	Douille
18	401116	1	1	1	1	Snäppfjäder	Snapp spring	Schnappfeder	Ressort d'arrêt
19	401117	1	1	1	1	Hylsa	Case	Hülse	Douille
20	401118	1	1	1	1	Axel	Axle	Welle	Arbre
21*	401119	2	2	2	2	O-ring	O-ring	O-ring	Joint torique
22	401121	1	1	1	1	Hylsa	Case	Hülse	Douille
23	401122	1	1	1	1	Ventilkropp	Valve box	Ventilkörper	Chapelle de soupape
24	401123	1	1	1	1	Bricka	Washer	Unterlagscheibe	Rondelle
25*	401124	1	1	1	1	Ventiltallrik	Valve disc	Ventilteller	Corps de soupape
26*	401126	1	1	1	1	O-ring	O-ring	O-ring	Joint torique
27	401128	1	1	1	1	Säte	Seating	Sitz	Surface d'obturation
28*	401129	1	1	1	1	Ventiltallrik	Valve disc	Ventilteller	Corps de soupape
29	401131	1	1	1	1	Mutter	Nut	Mutter	Écrou
30*	401132	1	1	1	1	Saxpinne	Split pin	Splint	Coupille fondue
31	402129	1	1	1	1	Ventilhus	Valve casing	Ventilgehäuse	Lanterne de soupape
32*	401165	1	1	1	1	O-ring	O-ring	O-ring	Joint torique

*) Complete set of packings include item No. 3, 21, 25, 26, 28, 30, 32

Art. No. 402656 A-motor

Art. No. 402657 B-motor

Art. No. 402658 C-motor

Art. No. 402659 D-motor

