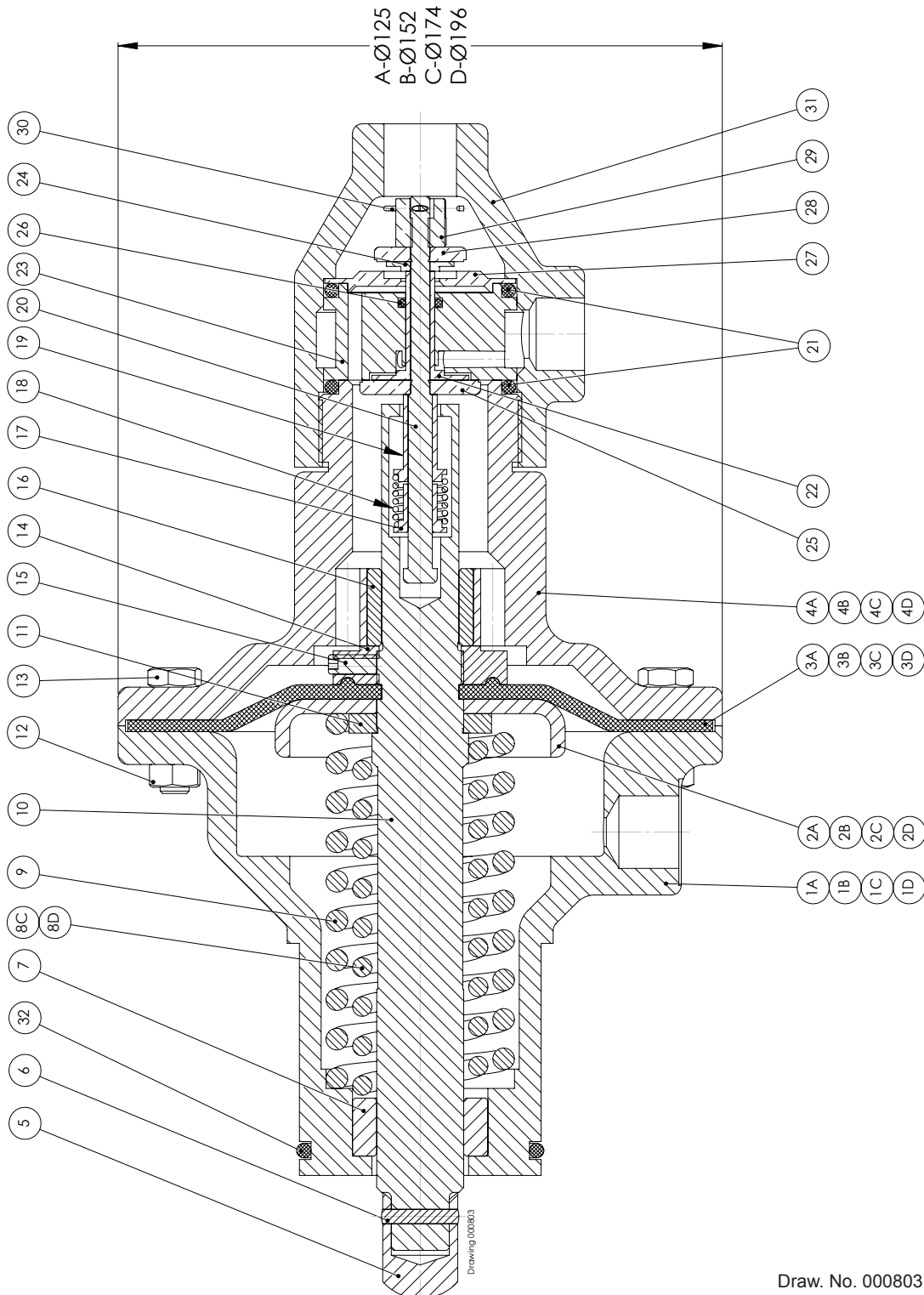


Twin Power

Pneumatic multi-turn actuators for all types of valves

Spare part list 6:S1 - Diaphragm Motor



Draw. No. 000803

**MEMBRANMOTOR - DIAPHRAGM MOTOR - MEMBRANMOTOR - MOTEUR MEMBRANE
TWIN POWER TYPE 114 & 214**

| Det. No | Art. No | Quantity | | | | Benämning | Denomination | Bezeichnung | Designation |
|---------|---------|----------|---|---|---|-------------------|------------------------|-------------------------|-----------------------------------|
| | | A | B | C | D | | | | |
| 1A | 402113 | 1 | | | | Främre membranhus | Front diaphragm casing | Vorderes Membrangehäuse | Enveloppe antérieure de membrane |
| 1B | 402114 | | 1 | | | " | " | " | " |
| 1C | 402115 | | | 1 | | " | " | " | " |
| 1D | 402116 | | | | 1 | " | " | " | " |
| 2A | 402117 | 1 | | | | Membranbricka | Diaphragm plate | Membranscheibe | Plaque de membrane |
| 2B | 402118 | | 1 | | | " | " | " | " |
| 2C | 402119 | | | 1 | | " | " | " | " |
| 2D | 402120 | | | | 1 | " | " | " | " |
| 3A* | 401141 | 1 | | | | Membran | Diaphragm | Membran | Membrane |
| 3B* | 401142 | | 1 | | | " | " | " | " |
| 3C* | 401143 | | | 1 | | " | " | " | " |
| 3D* | 401144 | | | | 1 | " | " | " | " |
| 4A | 402121 | 1 | | | | Bakre membranhus | Back diaphragm plate | Hinteres Membrangeäuse | Enveloppe postérieure de membrane |
| 4B | 402122 | | 1 | | | " | " | " | " |
| 4C | 402123 | | | 1 | | " | " | " | " |
| 4D | 402124 | | | | 1 | " | " | " | " |
| 5 | 401400 | 1 | 1 | 1 | 1 | Anslag | Stop | Anschlag | Butée |
| 6 | 401417 | 1 | 1 | 1 | 1 | Räffelpinne | Grooved pin | Kerbstift | Clavette cannelée |
| 7 | 401152 | 1 | 1 | 1 | 1 | Lager | Bearing | Lager | Pailier |
| 8 | 401153 | | | 1 | 1 | Returfjäder | Return spring | Rückzugfeder | Ressort de retour |
| 9 | 401154 | 1 | 1 | 1 | 1 | Returfjäder | Return spring | Rückzugfeder | Ressort de retour |
| 10 | 402630 | 1 | 1 | 1 | 1 | Axel | Shaft | Welle | Arbre |
| 11 | 402128 | 1 | 1 | 1 | 1 | Bricka | Washer | Unterlagscheibe | Rondelle |
| 12 | 401158 | 8 | 8 | 8 | 8 | Mutter | Nut | Mutter | Écrou |
| 13 | 503120 | 8 | 8 | 8 | 8 | Skruv | Screw | Schraube | Vis |
| 13 | 259311 | 8 | 8 | 8 | 8 | Bricka | Washer | Unterlagscheibe | Rondelle |
| 14 | 401161 | 1 | 1 | 1 | 1 | Mutter | Nut | Mutter | Écrou |
| 15 | 401162 | 1 | 1 | 1 | 1 | Stoppskruv | Set screw | Hemmschraube | Vis d'arrêt |
| 16 | 401163 | 1 | 1 | 1 | 1 | Lager | Bearing | Lager | Pailier |
| 17 | 401115 | 1 | 1 | 1 | 1 | Hylsa | Case | Hülse | Douille |
| 18 | 401116 | 1 | 1 | 1 | 1 | Snäppfjäder | Snapp spring | Schnappfeder | Ressort d'arrêt |
| 19 | 401117 | 1 | 1 | 1 | 1 | Hylsa | Case | Hülse | Douille |
| 20 | 401118 | 1 | 1 | 1 | 1 | Axel | Axle | Welle | Arbre |
| 21* | 401119 | 2 | 2 | 2 | 2 | O-ring | O-ring | O-ring | Joint torique |
| 22 | 401121 | 1 | 1 | 1 | 1 | Hylsa | Case | Hülse | Douille |
| 23 | 401122 | 1 | 1 | 1 | 1 | Ventilkropp | Valve box | Ventilkörper | Chapelle de soupape |
| 24 | 401123 | 1 | 1 | 1 | 1 | Bricka | Washer | Unterlagscheibe | Rondelle |
| 25* | 401124 | 1 | 1 | 1 | 1 | Ventiltallrik | Valve disc | Ventilteller | Corps de soupape |
| 26* | 401126 | 1 | 1 | 1 | 1 | O-ring | O-ring | O-ring | Joint torique |
| 27 | 401128 | 1 | 1 | 1 | 1 | Säte | Seating | Sitz | Surface d'obturation |
| 28* | 401129 | 1 | 1 | 1 | 1 | Ventiltallrik | Valve disc | Ventilteller | Corps de soupape |
| 29 | 401131 | 1 | 1 | 1 | 1 | Mutter | Nut | Mutter | Écrou |
| 30* | 401132 | 1 | 1 | 1 | 1 | Saxpinne | Split pin | Splint | Coupille fondue |
| 31 | 402129 | 1 | 1 | 1 | 1 | Ventilhus | Valve casing | Ventilgehäuse | Lanterne de soupape |
| 32* | 401165 | 1 | 1 | 1 | 1 | O-ring | O-ring | O-ring | Joint torique |

*) Complete set of packings include item No. 3, 21, 25, 26, 28, 30, 32

Art. No. 402656 A-motor

Art. No. 402657 B-motor

Art. No. 402658 C-motor

Art. No. 402659 D-motor

