

RCEL005X

Electric Actuators Ex-proof

Technical Data

Performance

Model	Output Torque		Operation Time (90°)			Motor * Class (E)	Rated Current				Duty* Cycle	Number Of Handle Turns	Weight kg
							1 Phase (AC)			DC			
	Kg.m	Nm	60 Hz	50 Hz	DC24V		W	24V	110V	220V	24V		
RCEL005X	5	50	14	17	10	6	1,8	0,35	0,23	1,8	15	6	5

*Valid for 1-ph 110V AC and 220V AC

Standard Specification

Enclosure:	IP67, Nema 4 and 6, ATEX II 2G Ex d IIB T4
Ambient Temp:	-20 °C to +55 °C
Power Supply:	24VDC/ 24VAC 110VAC/230VAC ±10%, 1-phase (50Hz/60Hz)
Limit Switches:	Open/Close, 2+2 pcs
Stall Protection:	Built-in Thermal Protection Cut-off at 120 °C
Travel Angle:	90° ± 5°
Visual Indicator:	Sight glass
Manual Override:	Allen key (6mm)
Worm gear:	Permanently lubricated and Selflocking
Space Heater:	5W (24VDC, 110/230VAC) Anti-Condensation
Conduit Entries:	M20x1,5
Lubrication:	Grease Moly (EP-Type)
Materials:	Steel, Aluminium Alloy, Al Bronze
External Coating:	Anodizing and Dry Powder Polyester
Duty Cycle:	(IEC 60034-1) S2 15 min

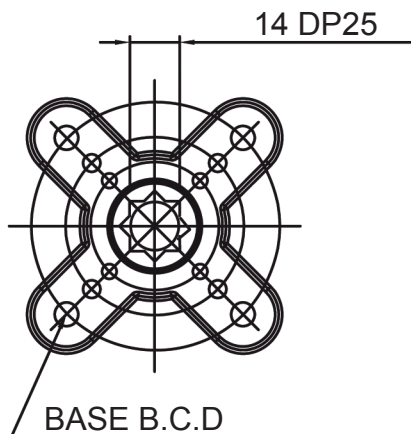
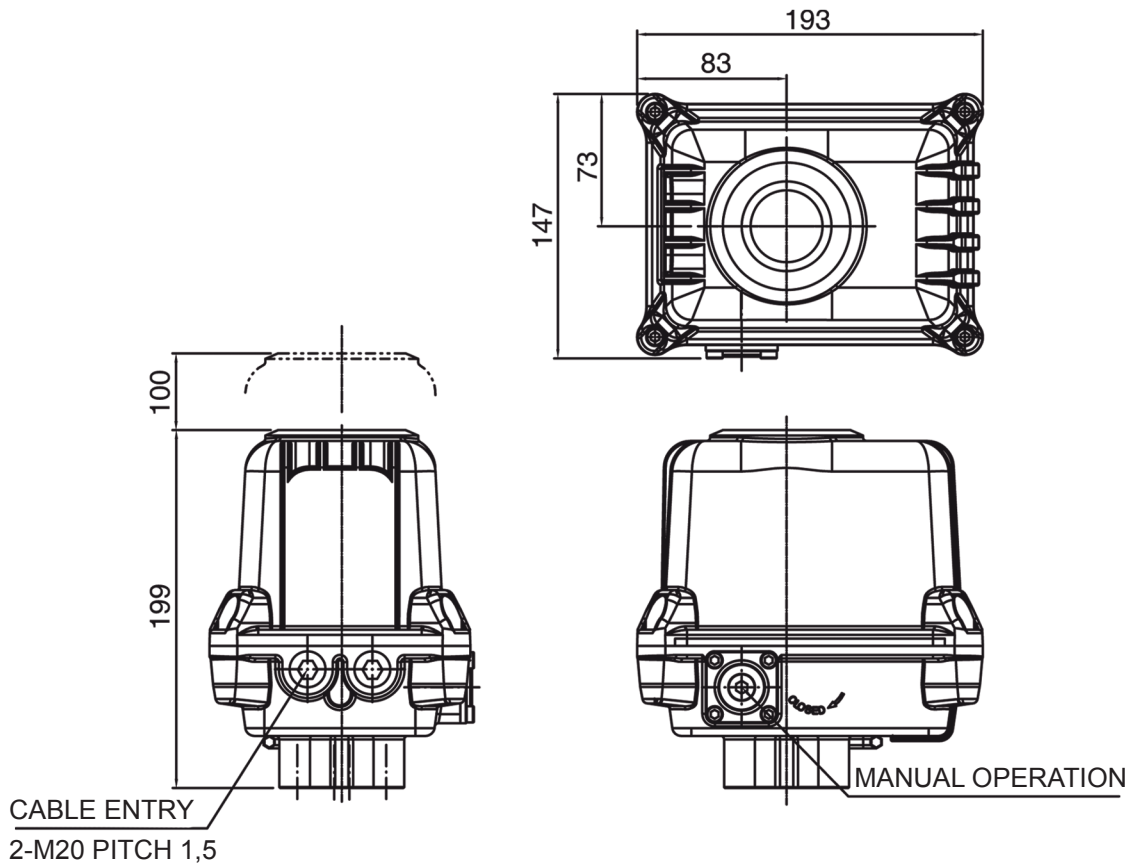
Optional Items

PIU:	Potentiometer Unit 1k Ohm
CPT:	Current Position Transmitter Output: 4-20mA DC
PCU:	Proportional Control Unit Input: 4-20mA, 2-10V DC Output: 0-20mA DC,
EXT:	Extended travel angel up to 270°

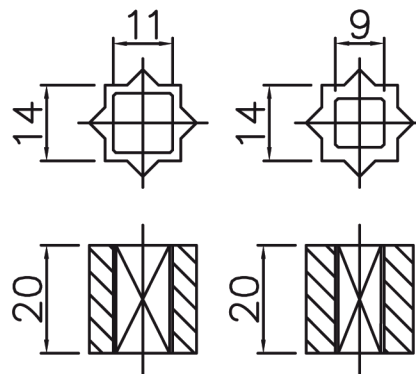


Measurements RCEL005X

ATEX II 2G Ex d IIB T4



- A: ISO 5211 F03 (Ø 36 M5TAP DP8)
- B: ISO 5211 F05 (Ø 50 M6TAP DP10)
- C: ISO 5211 F07 (Ø 70 M5TAP DP13)



DRIVE INSERT

Weight: 5kg

www.rotork.com www.remotecontrol.se

We reserve the right to make changes without notice

Ref No 410B / Art No 980410



ROTORK SWEDEN AB

Box 80, Kontrollvägen 15, SE-791 22 Falun, Sweden

Tel: +46 (0)23-587 00 • Fax: +46 (0)23-587 45 • falun.info@rotork.com