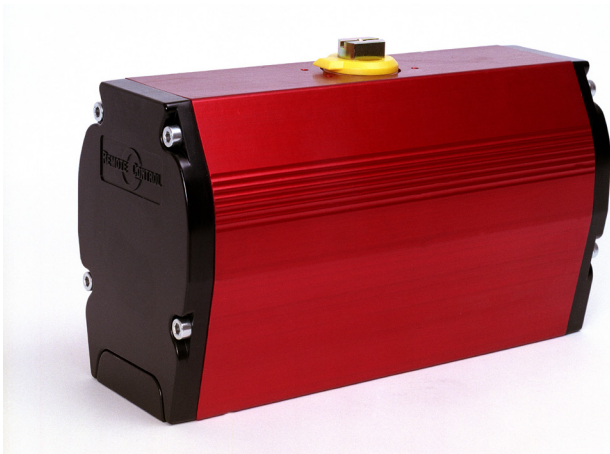
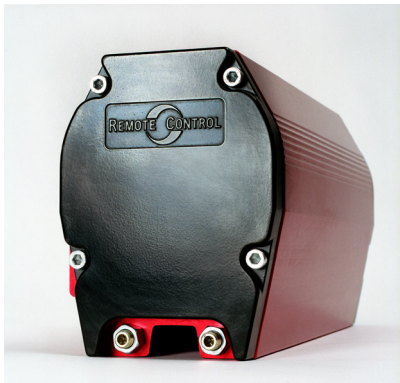


RC265-DA

Pneumatic Actuator

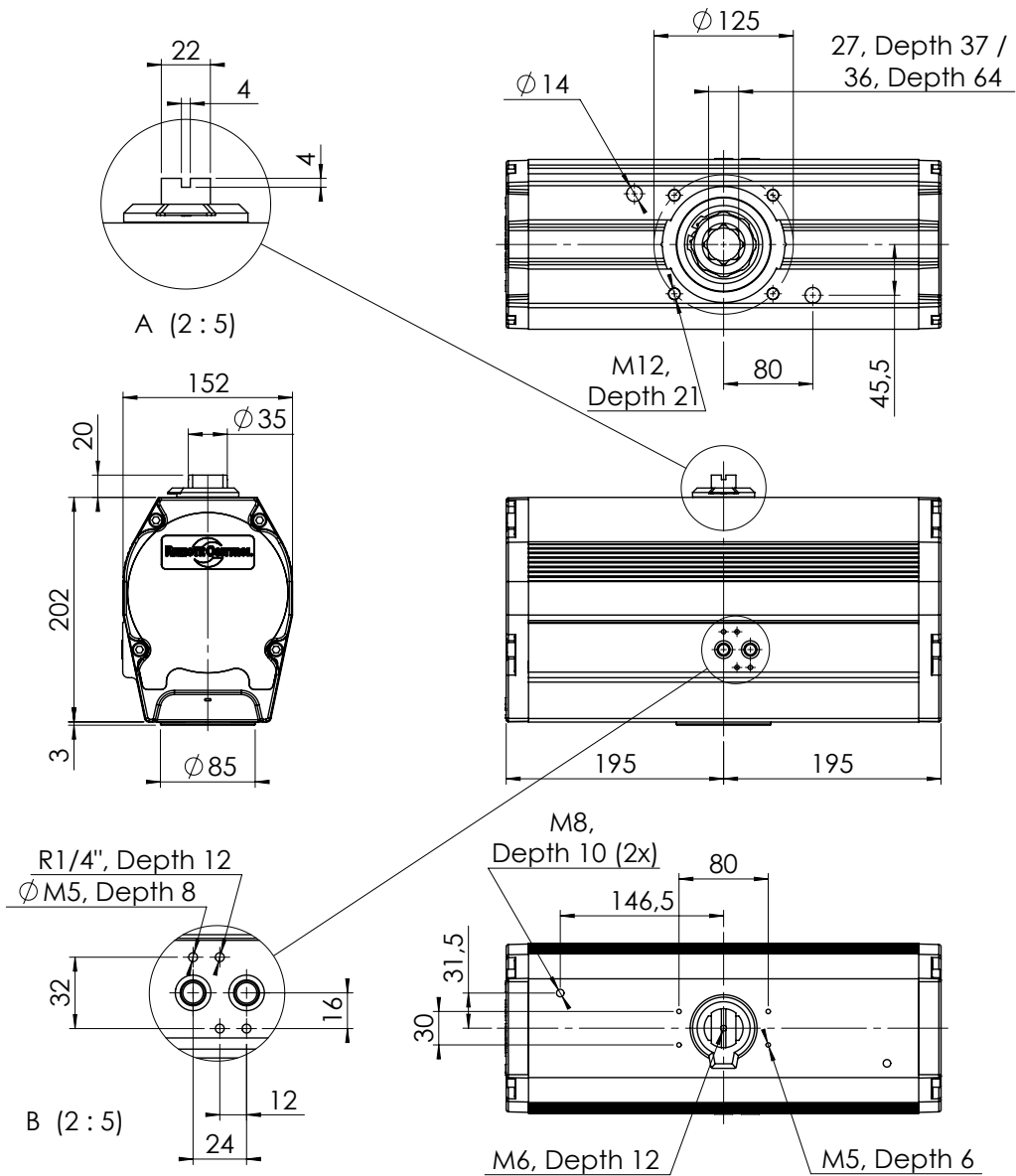
Technical Data



Technical Data

- External adjustable limit stops in open and closed position, $\pm 4^\circ$
- No connection to the pressurized cylinder, therefore no limitation as to service availability when adjusting
- Torque 1296 Nm at 6 bar, double acting
- Cylinder \varnothing 140 mm
- Seal materials for high efficiency and minimal hysteresis
- Compact design of end plates, for minimized air consumption
- Valve interface F12/27, according to ISO 5211/DIN3337
- Wide air channels for short operation times
- Chrome-plated and painted end plates for additional corrosion protection
- Easily changeable cam for different turning angles (accessible without dismantling the actuator)

RC265-DA



Ref 002390 A

Torque Nm

Bar	↔		
	0°	50°	90°
4	864	404	613
5,5	1188	556	843
6	1296	606	919
7	1512	707	1072

Max. working pressure 8 bar
Weight: 18,8 kg

AIR CONSUMPTION	
Free air at 6 bar air pressure	
Anti-clockwise rotation	Clockwise rotation
32 dm ³	36 dm ³

OPERATION TIME	
At 6 bar air pressure	
Anti-clockwise rotation	Clockwise rotation
<1,5 sec	<1,5 sec

