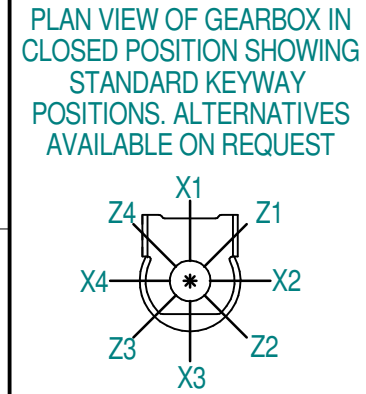
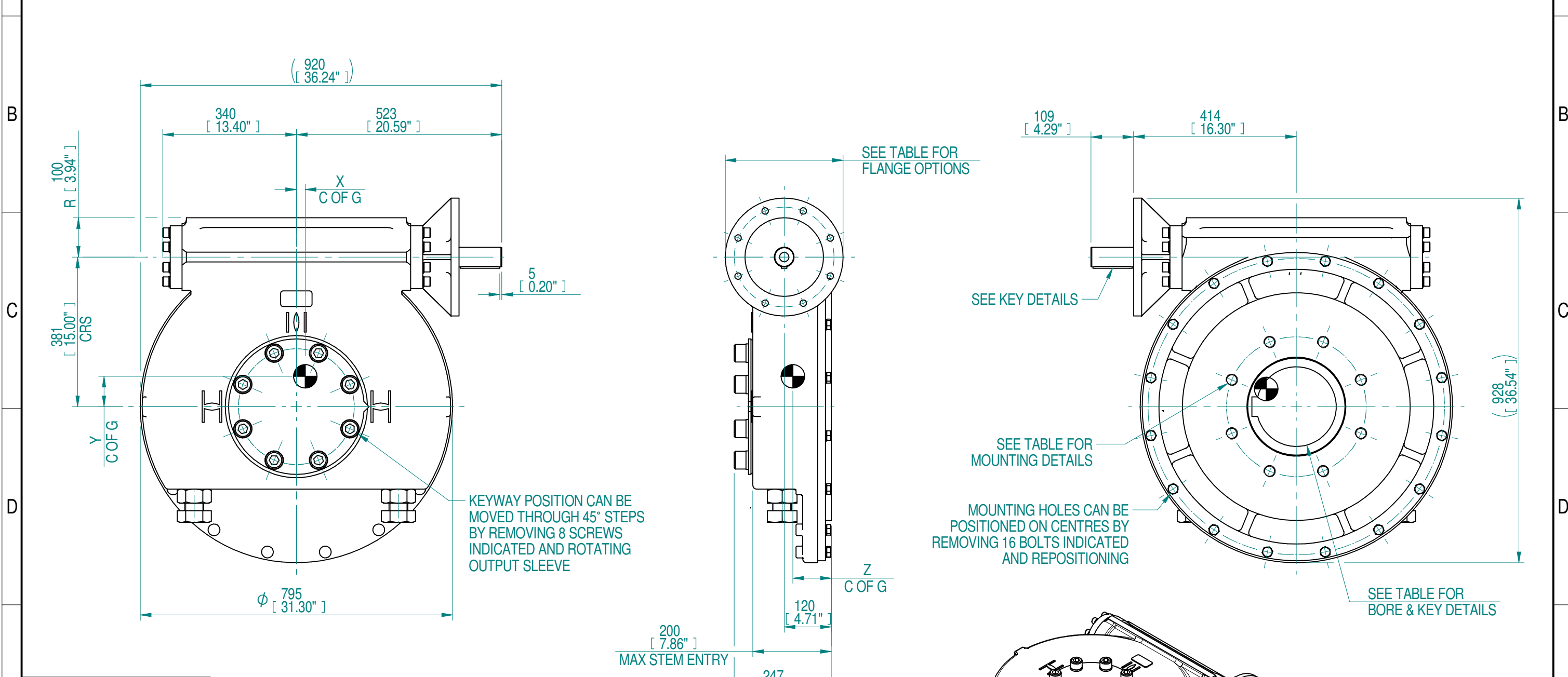


1	2		3		4		5		6		7		8				
INPUT FLANGE DETAILS					MOUNTING HOLES - BOLT CIRCLE (OFF CENTRES)					STEM ACCEPTANCE IN ACCORDANCE TO STANDARD							
INPUT FLANGE	FLANGE O/DIA.	SHAFT DIA.	RECESS DIA.	RECESS DEPTH	HOLE DETAILS (OFF CENTRES)	KEY DETAILS	ISO 5211 / MSS SP-101 MOUNTING OPTION	HOLE DETAILS (OFF CENTRES)	MAX OUTSIDE DIA. INCLUDING DRILLED HOLES	MIN INSIDE DIA. INCLUDING DRILLED HOLES	SQ BORE MAX	STANDARD	MIN BORE	SQ KEY MAX BORE	SQ KEY SIZE	RECT. KEY MAX BORE	RECT KEY SIZE
ISO F25	Ø300 x 20 (Ø11.81" x 0.787")	Ø50.00-0.05 (Ø1.969"-0.002")	Ø200.10+0.10 (Ø7.878"+0.004")	5 (0.20")	8 x Ø16.5 ON Ø254.0 P.C. (8 x Ø0.65" ON Ø10.00" P.C.)	14x9x100 (0.55"x0.35"x3.94")	ISO F35*	8 x M30 x 36 (1.42") DEEP ON Ø356.0 (Ø14.02") P.C.	Ø544 (21.42")	Ø291 (11.46")	□ 152.6 (6.00")	BS4235	-	-	-	203	50 x 28
FA25			Ø152.30+0.17 (Ø5.996"+0.007")				8 x 1" UNC x 36 (1.42") DEEP ON Ø355.6 (Ø14.00") P.C.	ANSI B17.1				-	7.375"	1 3/4" SQ.	7.625"	2" x 1 1/2"	
												DIN 6885	-	-	-	203	50 x 28



- NOTES:
- OTHER INPUT AND OUTPUT OPTIONS AVAILABLE - SEE 'IW GEARBOX BROCHURE' AT [WWW.ROTORK.COM](http://WWW.ROTORK.COM) FOR FURTHER DETAILS.
  - CENTRE OF GRAVITY POSITION IS INDICATIVE FOR STANDARD BUILD WHEN IN POSITION SHOWN.
  - \* THREAD DEPTH DOES NOT MATCH ISO STANDARD.
  - WEIGHT AND C OF G DIMENSIONS WILL VARY +/-1% DEPENDING ON RATIO.

RATIO	73	18	26	447	108464	4156	23	77	98
		18	26	447	108464	4156	23	77	98
		TURN TO CLOSE	M.A. (±10%)	WEIGHT (KG)	MAX OUTPUT (Nm)	MAX INPUT (Nm)	X	Y	Z
		DESCRIPTION			TORQUE		CENTRE OF GRAVITY		

Rev	ECN	Revised	Rev. Approved	Date	Change Description
0-1		J.Lawton	J.Dickinson	2019-11-12	Include missed o-ring

AS PART OF CONTINUOUS PRODUCT DEVELOPMENT, ALL DETAILS SUBJECT TO CHANGE WITHOUT PRIOR NOTICE. FOR UP TO DATE DETAILS PLEASE VISIT [www.rotork.com](http://www.rotork.com)

**rotork** Gears  
Leeds - UK  
[www.rotork.com](http://www.rotork.com)

©2019 Rotork Group of Companies. All rights reserved. This document and its contents may not be reproduced, distributed, transmitted, displayed, published, or broadcast, in whole, or in part, without the prior, express written permission of Rotork Group of Companies.

Dimensions in mm  
Scale 1:10  
Title **IW11N QUARTER TURN GEARBOX**

Created S.Monish 2019-10-10  
Checked V.G.Balaji 2019-10-15  
Approved J.Lawton 2019-11-12

Drawing Number **PUB-IW11-N**  
Rev 0-1  
Nominal Mass **SEE TABLE** Size A3 Sheet 1 of 1

Template Issue - 2018-05-10