

- NOTE:**
1. GEARBOX RATIOS: 34:1.
  2. GEARBOX BASEPLATE: F07/FA07, F10/FA10, F12/FA12, F14/FA14 & F16/FA16.
  3. DIMENSIONS WITH "\*" INDICATE COVER REMOVAL ALLOWANCE
  4. THE INTERFACE PROVIDED FOR MOUNTING THE ACTUATOR OR SECOND STAGE GEARBOX ONTO THE VALVE SHOULD CONFORM TO GOOD ENGINEERING PRACTICES, ENSURING ADEQUATELY TOLERANCED LIMITS FOR PARALLELISM, PERPENDICULARITY AND CONCENTRICITY
  5. ROTORK CANNOT BE HELD LIABLE FOR DAMAGE TO OUR EQUIPMENT CAUSED BY EXCESSIVE LOADING FROM COVER TUBES, HANDWHEEL AND HAND LEVER.

| PARAMETER                | VALUE | DESCRIPTION                 |
|--------------------------|-------|-----------------------------|
| DRAWING TYPE             | A     | INSTALLATION DRAWING        |
| ACTUATOR                 | 7     | CK(R)A30/60                 |
| GEARBOX1                 | A5    | AB550M                      |
| GEARBOX2                 | N0    | NO G.B. 2                   |
| TERMINAL COVER           | B     | 3 COND                      |
| MECHANISM / MOTOR        | S     | STD. MECH./SMALL MOT.       |
| HANDWHEEL / REAR / FRONT | 0     | STD.H.W./STD.REAR/STD.FRNT. |
| ORIENTATION              | 0     | STD.ORIENT.                 |

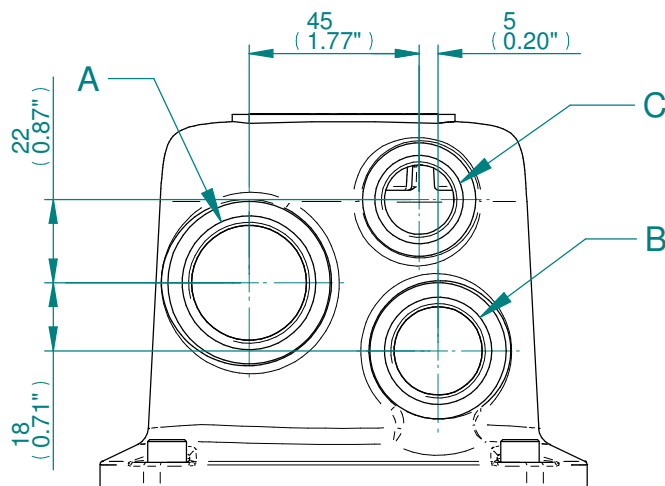
**CK range**

|          |       |          |   |
|----------|-------|----------|---|
| Drawn    | HAABI | 25-11-19 | <b>Title</b> DIMENSIONAL DRAWING, CKA30/60 & CKRA30/60, AB550M, 3 CONDUIT ENTRIES, SMALL MOTOR, STANDARD ORIENTATION. |
| Checked  | TAMIL | 25-11-19 |   |
| Approved | JOSE  | 25-11-19 |   |

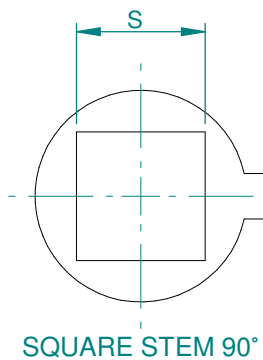
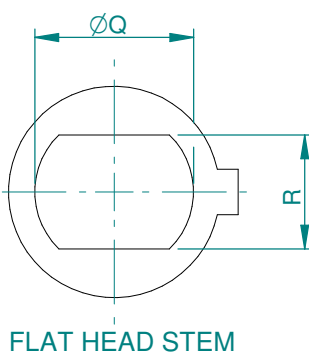
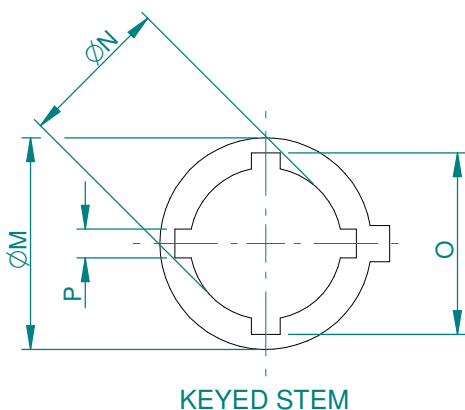
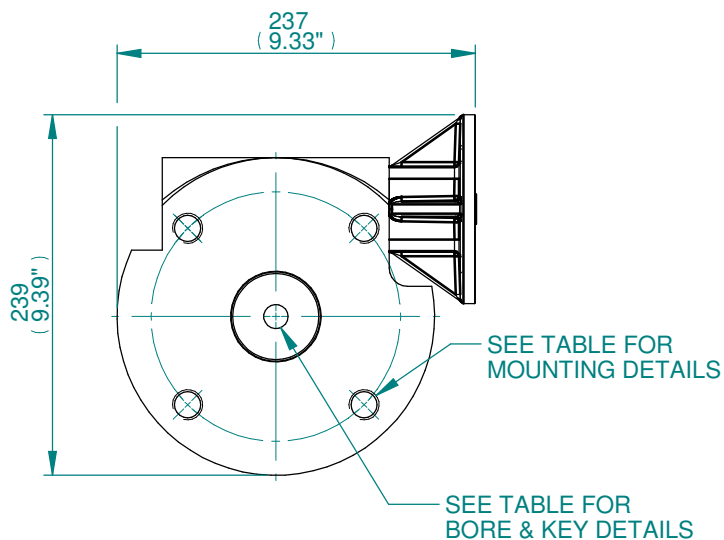
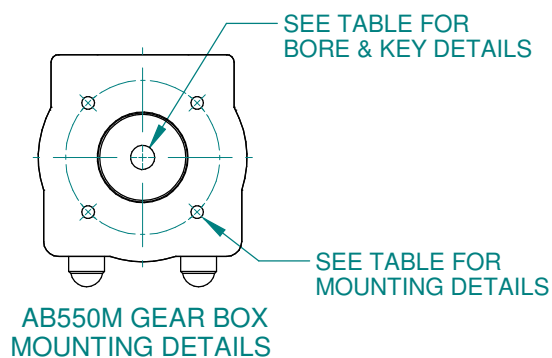
This drawing and the information it contains are property of Rotork Controls Limited, and they will not be reproduced or disclosed, in whole or in part, without the prior written consent of Rotork.

|           |                    |               |              |                 |
|-----------|--------------------|---------------|--------------|-----------------|
| <b>A4</b> | <b>Doc Number</b>  | <b>Ver No</b> | <b>Scale</b> | <b>Sheet No</b> |
|           | <b>A7A5N0BS00X</b> | <b>1</b>      | <b>NTS</b>   | <b>1 of 2</b>   |

| CONDUIT ENTRY HOLE |        |        |
|--------------------|--------|--------|
| Hole               | Metric | NPT    |
| A                  | M32    | 1 1/4" |
| B                  | M25    | 3/4"   |
| C                  | M20    | 3/4"   |



CONDUIT ENTRIES



| BASEPLATE DETAILS |           |  |                                       |
|-------------------|-----------|--|---------------------------------------|
| TYPE              | BASEPLATE | HOLE DETAILS (45° OFF CENTRES)           |                                       |
| F07               | STANDARD  | 4x M8 x 13 DEEP ON A Ø70P.C.             |                                       |
| FA07              |           | 4x 5/16"UNC x 0.51" DEEP ON A Ø2.75"P.C. |                                       |
| F10               |           | 4x M10 x 13 DEEP ON A Ø102P.C.           |                                       |
| FA10              |           | 4x 3/8"UNC x 0.51" DEEP ON A Ø4"P.C.     |                                       |
| F12               |           | 4x M12 x 16 DEEP ON A Ø125P.C.           |                                       |
| FA12              |           | 4x 1/2"UNC x 0.63" DEEP ON A 4.95"P.C.   |                                       |
| F14               |           | 4x M16 x 18 DEEP ON A Ø140P.C.           |                                       |
| FA14              |           | 4x 5/8"UNC x 0.71" DEEP ON A Ø5.5"P.C.   |                                       |
| F16               |           | LARGE BASE                               | 4x M20 x 18 DEEP ON A Ø165P.C.        |
| FA16              |           |  | 4x 3/4"UNC x 0.71" DEEP ON A 6.5"P.C. |

| DIMENSIONS MAXIMUM (INSERTS) |             |           |             |          |             |           |           |
|------------------------------|-------------|-----------|-------------|----------|-------------|-----------|-----------|
| TYPE                         | ØM          | ØN        | O           | P        | ØQ          | R         | S         |
| AB550M                       | 45.3 (1.78) | 30 (1.18) | 36.6 (1.44) | 8 (0.31) | 36.2 (1.43) | 27 (1.06) | 27 (1.06) |

|                 |          |       |          |
|-----------------|----------|-------|----------|
| <b>CK range</b> | Drawn    | HAABI | 25-11-19 |
|                 | Checked  | TAMIL | 25-11-19 |
|                 | Approved | JOSE  | 25-11-19 |

**Title** DIMENSIONAL DRAWING, CKA30/60 & CKRA30/60, AB550M, 3 CONDUIT ENTRIES, SMALL MOTOR, STANDARD ORIENTATION.

This drawing and the information it contains are property of Rotork Controls Limited, and they will not be reproduced or disclosed, in whole or in part, without the prior written consent of Rotork.

|           |                    |          |            |               |
|-----------|--------------------|----------|------------|---------------|
| <b>A4</b> | Doc Number         | Ver No   | Scale      | Sheet No      |
|           | <b>A7A5N0BS00X</b> | <b>1</b> | <b>NTS</b> | <b>2 of 2</b> |