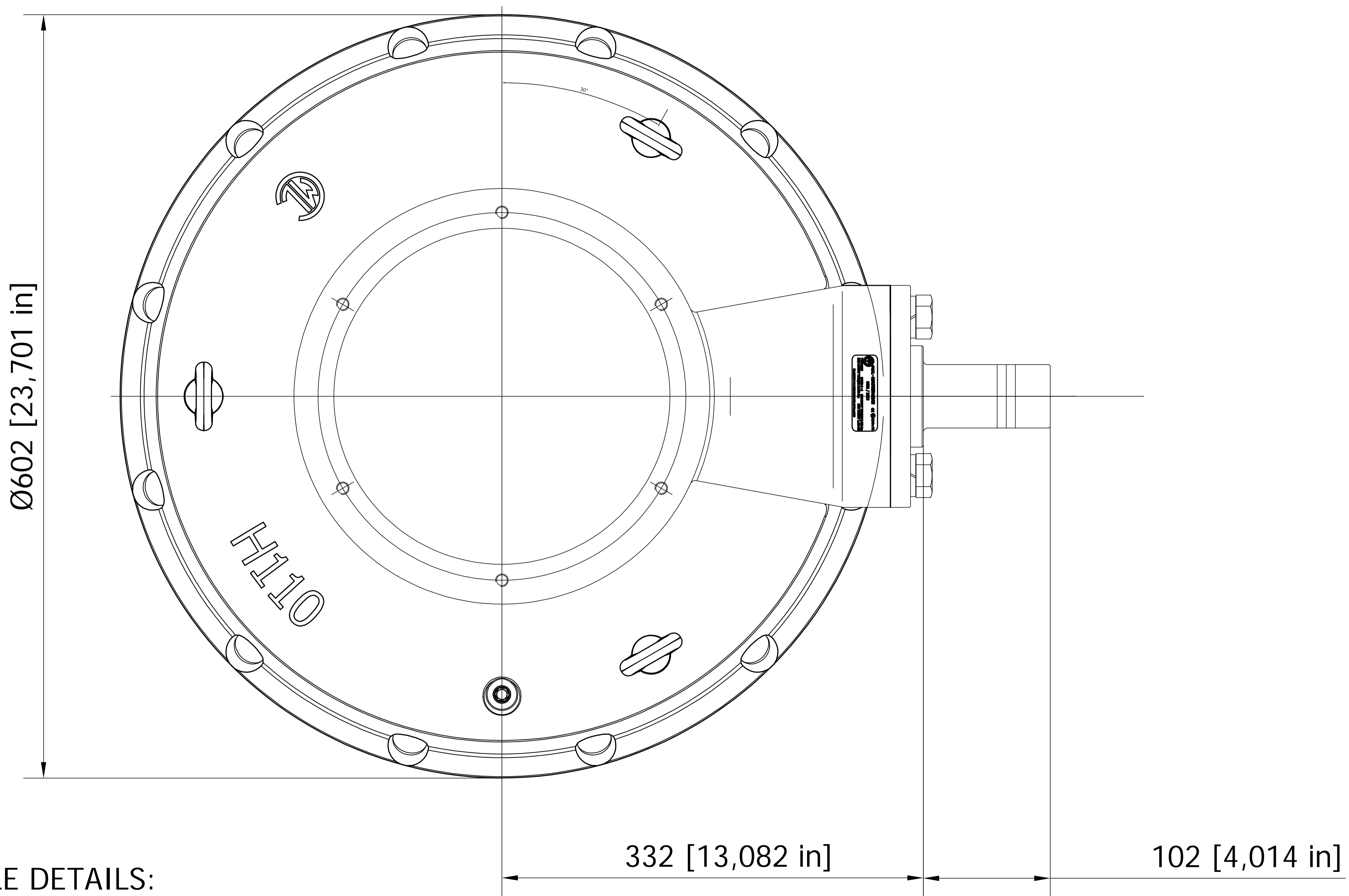
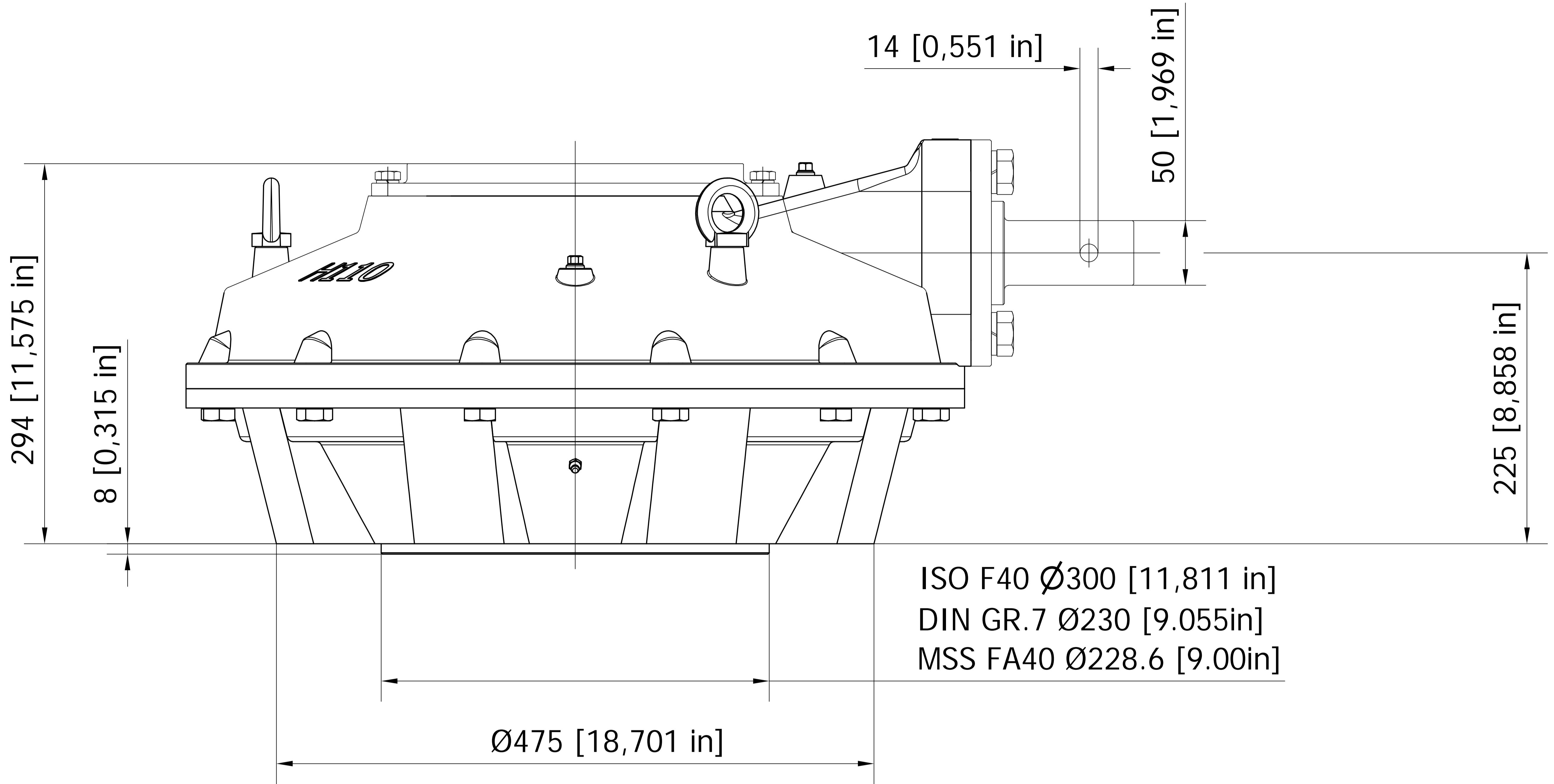


# H110 BEVEL MANUAL



**MOUNTING HOLE DETAILS:**

ISO F40, DIN GR.7..... 8x M36 ON P.C.D.406 [15.984in]  
 MSS FA40..... 8x 1"1/4-7 UNC ON P.C.D. 406.4 [16.00in]

**GENERAL INFORMATION**

TYPE	MAX OUTPUT TORQUE	RATIO	M.A.	MAX INPUT TORQUE	MAX THRUST	APPROX.WEIGHT
H110	16.000 Nm / 141.600 in-lb	5:1	4.5	3.566 Nm / 31.560 in-lb	1.100 KN / 247.300 lbs	337 Kg / 743 Lbs
H110AS	16.000 Nm / 141.600 in-lb	5:1	4.5	3.566 Nm / 31.560 in-lb	1.600 KN / 359.000 lbs	337 Kg / 743 Lbs



DIVISION OF REGAL-BELOIT CORPORATION

THIS DRAWING/DESIGN IS THE PROPERTY OF MASTERGEAR, AND MUST NOT BE USED WITHOUT THEIR SPECIFIC WRITTEN CONSENT©

DO NOT SCALE



APPROVED BY  
DL

DRAWING No.  
H110 F30  
rev.1

09-19-16