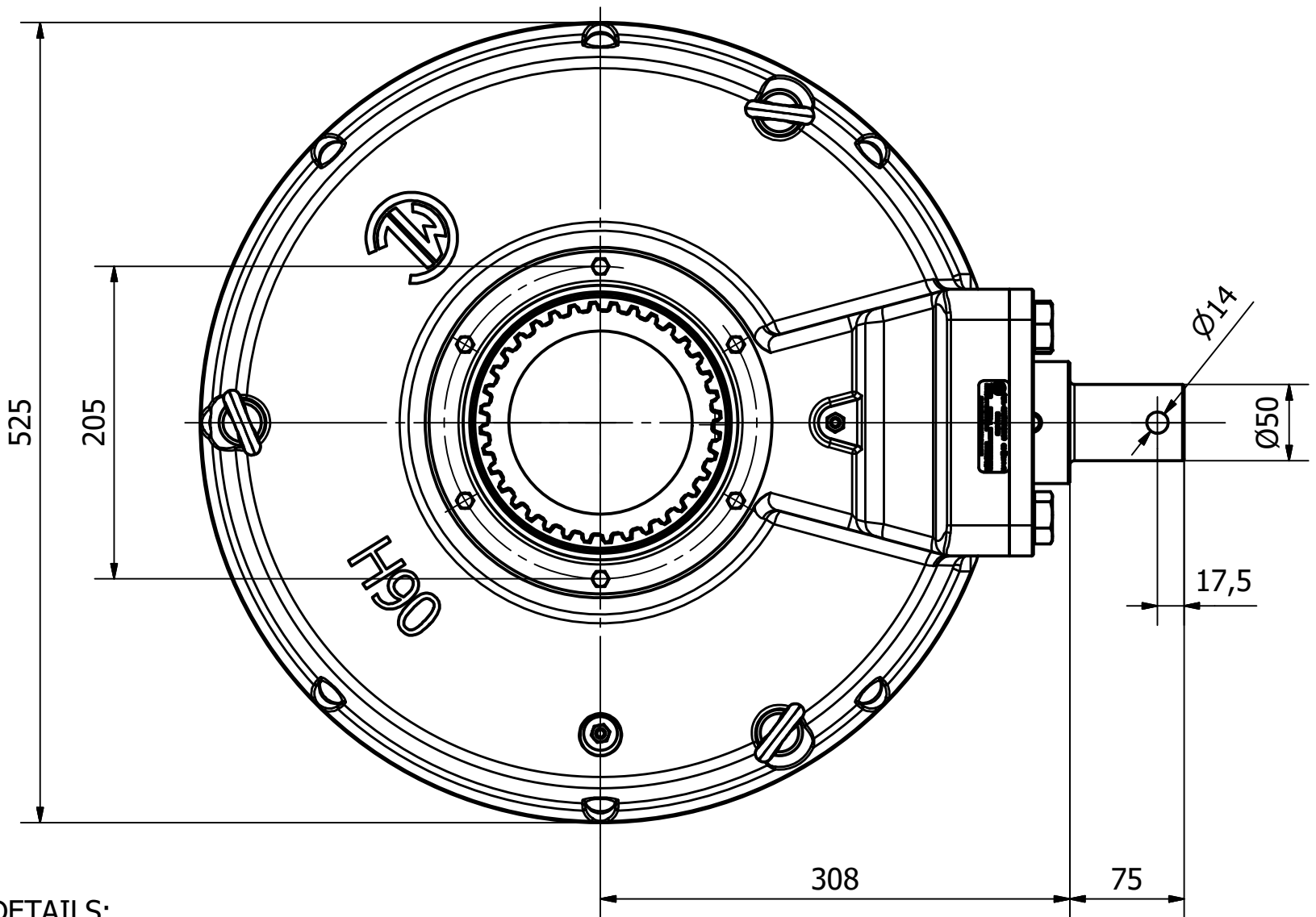
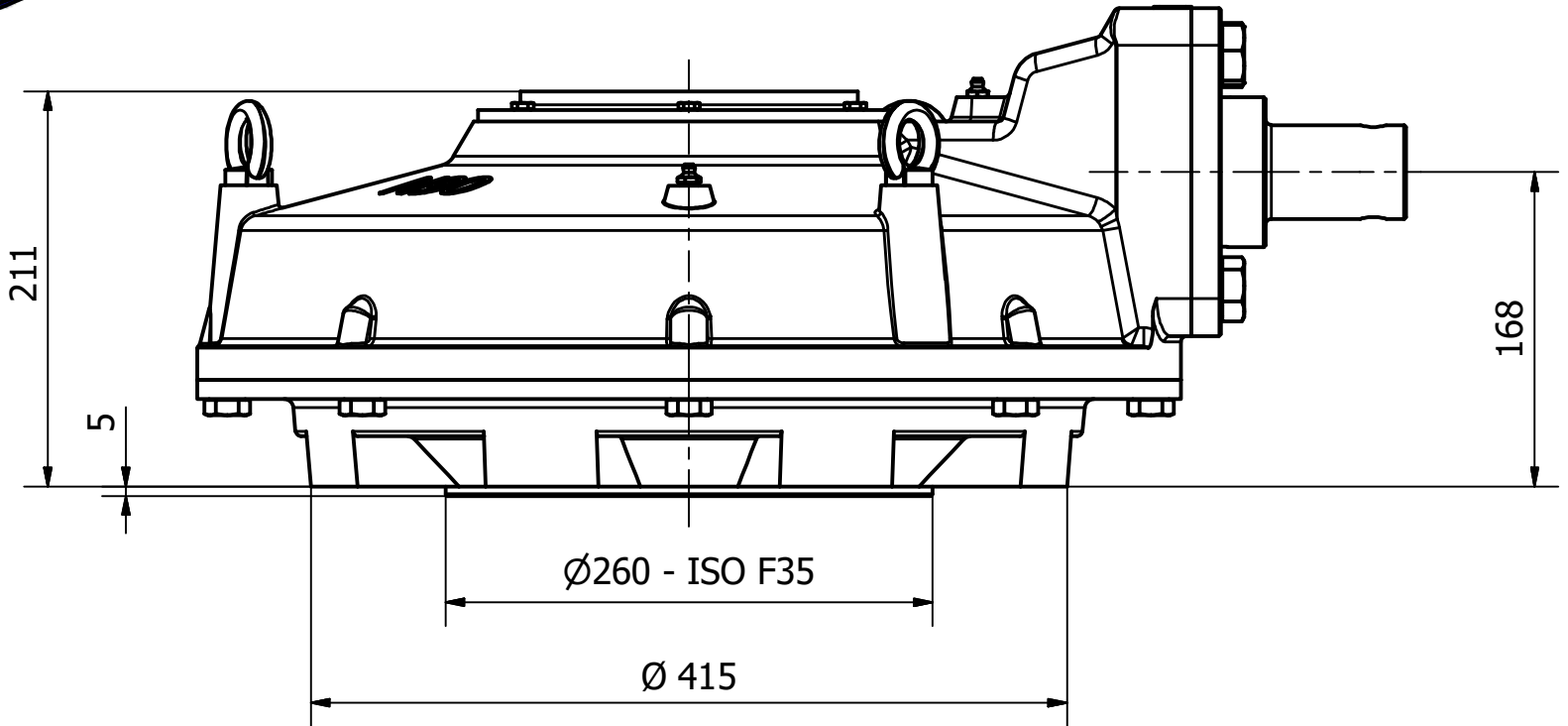
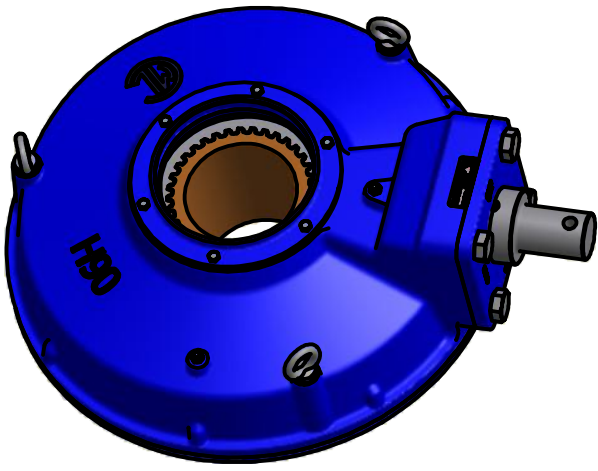


H90 BEVEL GEAR



MOUNTING HOLE DETAILS:

ISO F35, DIN GR.6..... 8x M30 ON P.C.D.356 [14.016in]
 MSS FA35..... 8x 1"-8 UNC ON P.C.D. 355.6 [14.00in]

GENERAL INFORMATION

TYPE	MAX OUTPUT TORQUE	RATIO	M.A.	MAX INPUT TORQUE	MAX THRUST	APPROX.WEIGHT
H90	9.000 Nm / 79.600 in-lb	5:1	4.50	2.000 Nm / 17.700 in-lb	900 KN / 202.300 Lbs	177 Kg / 390 Lbs



DIVISION OF REGAL-BELOIT CORPORATION

THIS DRAWING/DESIGN IS THE PROPERTY OF MASTERGEAR, AND MUST NOT BE USED WITHOUT THEIR SPECIFIC WRITTEN CONSENT ©

DO NOT SCALE



APPROVED BY DL

DRAWING No. H90 MAN rev.2

15-03-17