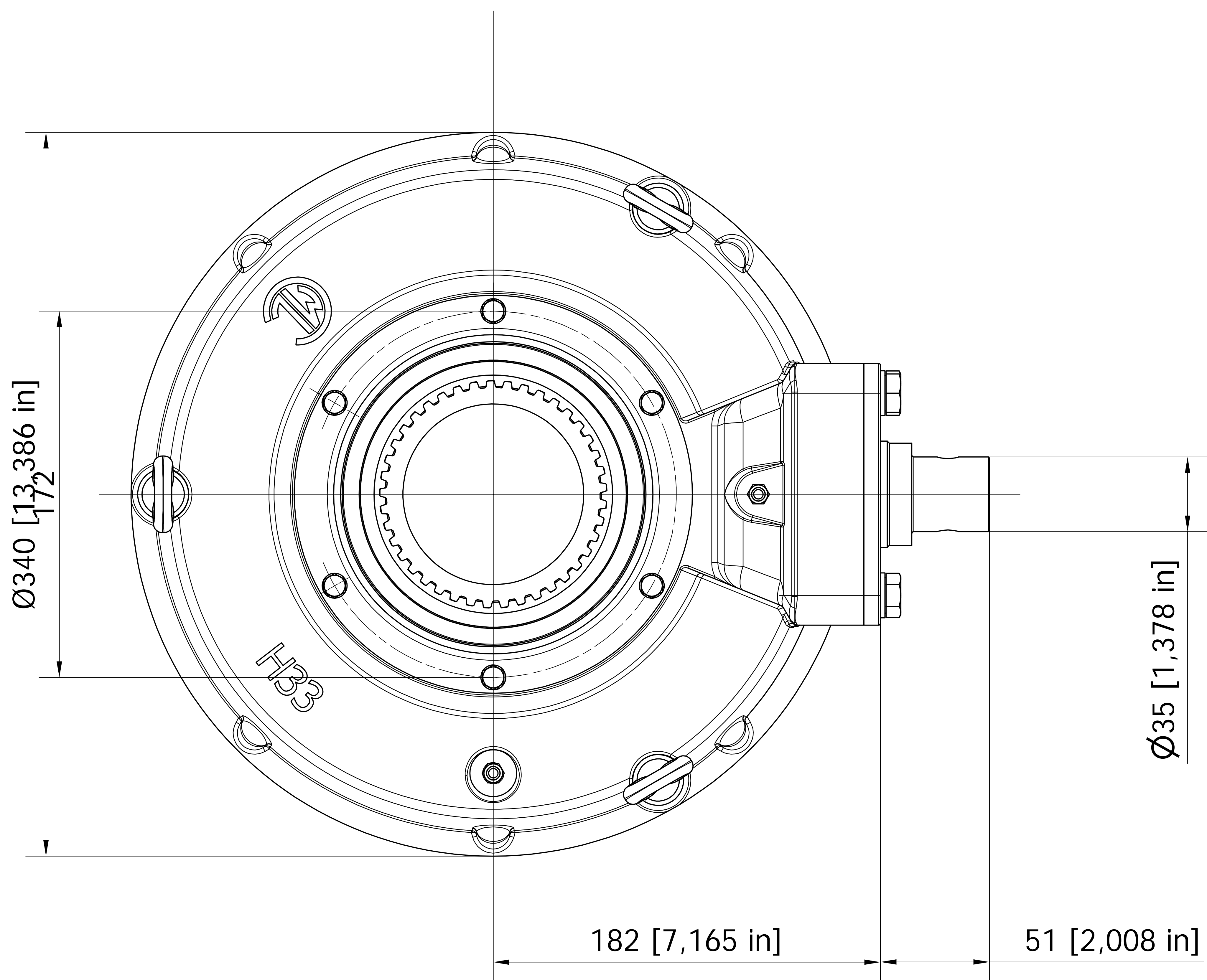
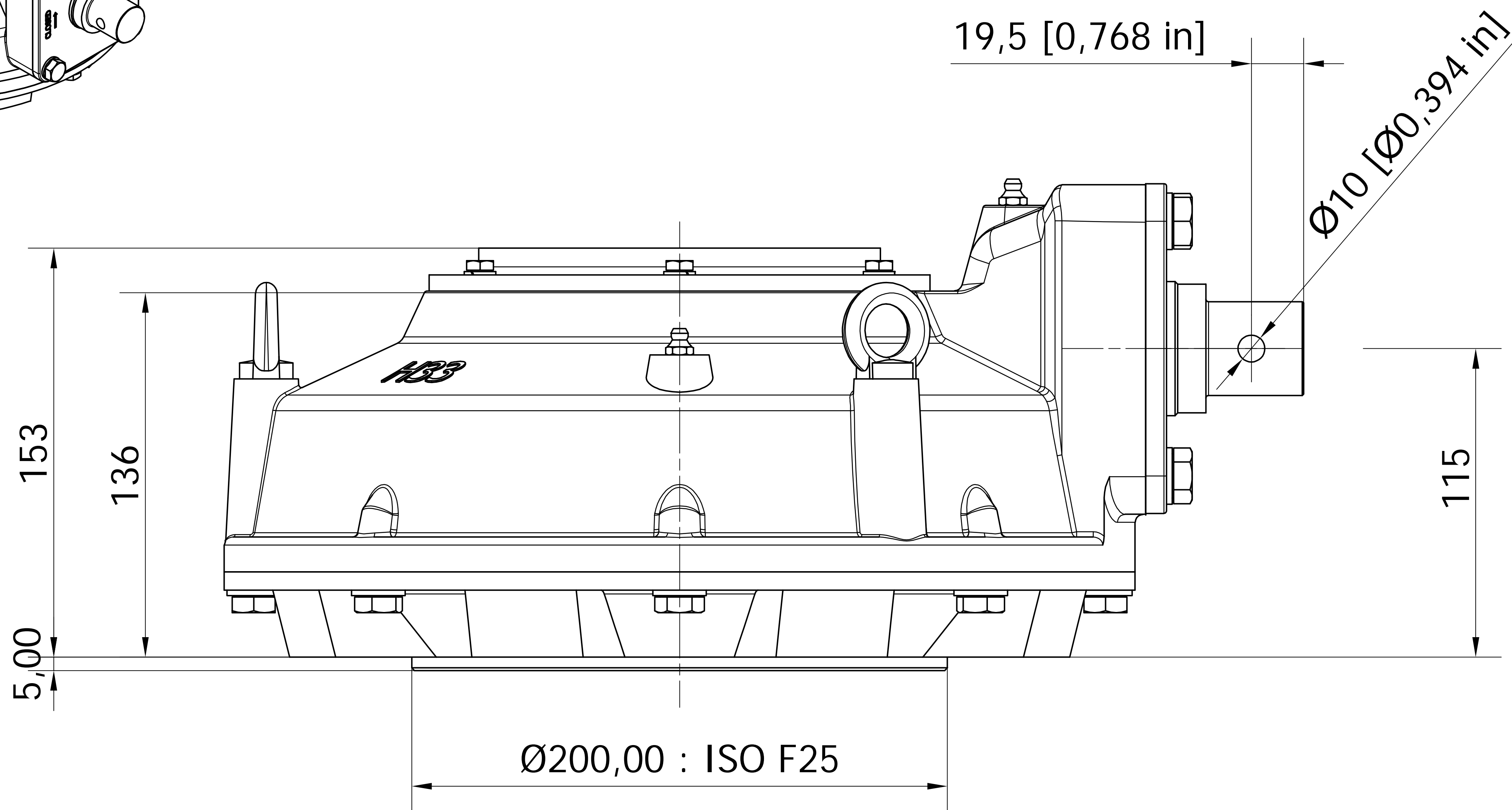
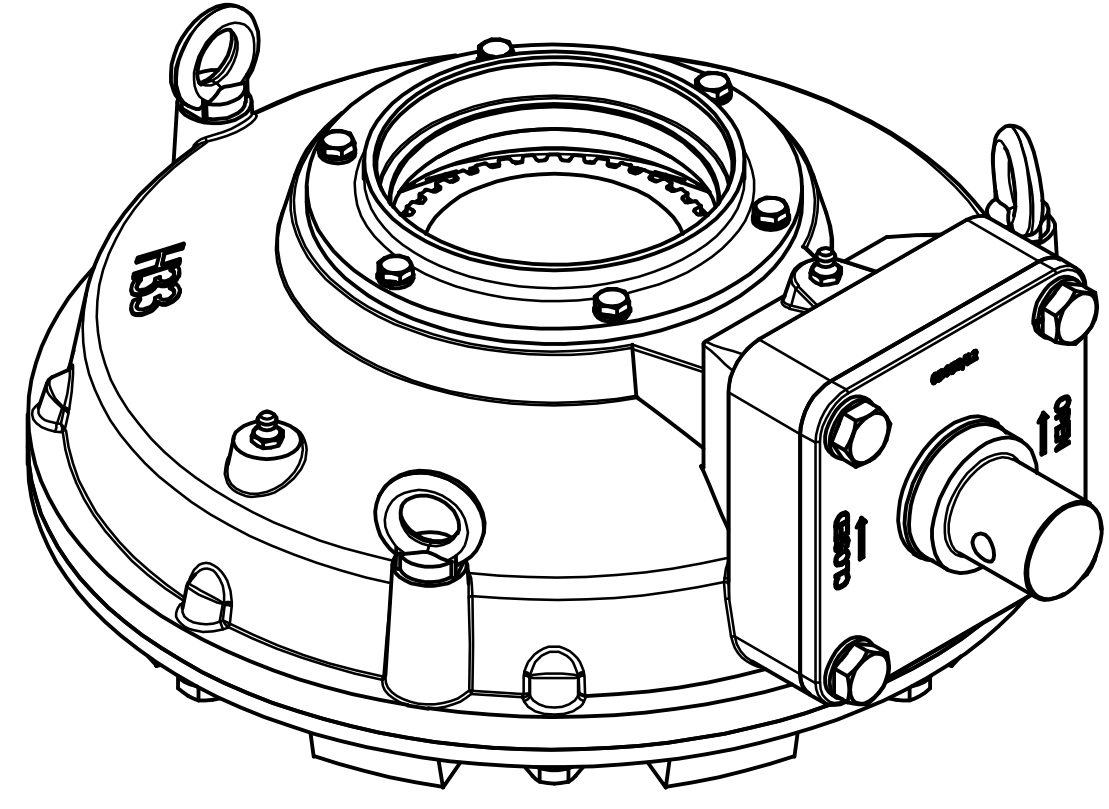


# H33 BEVEL GEAR



## MOUNTING HOLE DETAILS:

ISO F25 - DIN Gr.4..... 8x M16 ON P.C.D.254 [10.00in]  
 MSS FA25..... 8x 5/8"-11 UNC ON P.C.D. 254.4 [10.00in]


## GENERAL INFORMATION

TYPE	MAX OUTPUT TORQUE	RATIO	M.A.	MAX INPUT TORQUE	MAX THRUST	APPROX.WEIGHT
H33	2.300 Nm / 20.357 in-lb	4.5:1	4.05	568 Nm / 5.027 in-lb	330 KN / 74.200 Lbs	55 Kg / 121 Lbs



DIVISION OF REGAL-BELOIT CORPORATION

THIS DRAWING/DESIGN IS THE PROPERTY OF MASTERGEAR, AND MUST NOT BE USED WITHOUT THEIR SPECIFIC WRITTEN CONSENT ©

DO NOT SCALE  
  
 APPROVED BY  
 DL

DRAWING No.  
 H33 MAN rev.1

09-12-16