

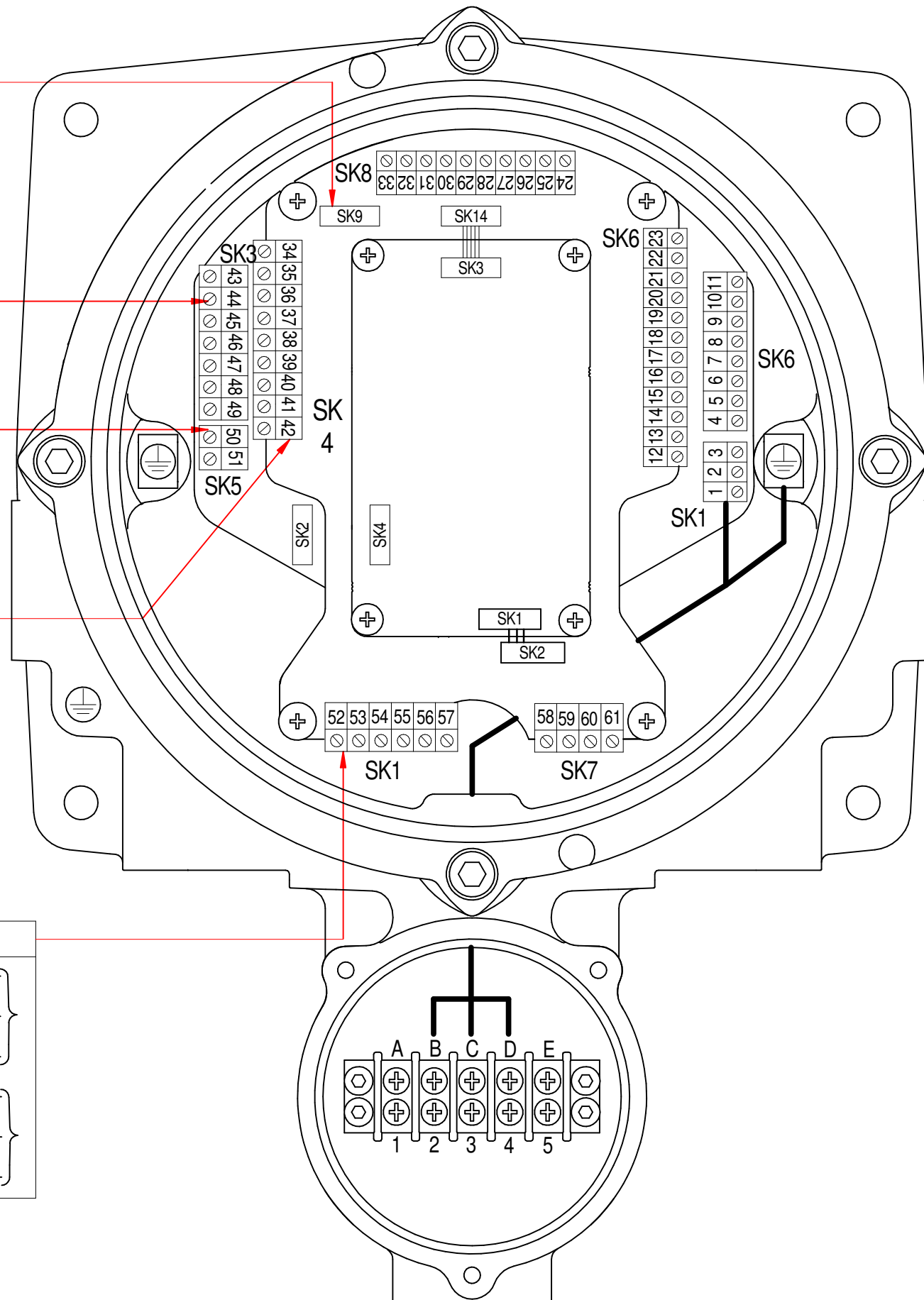
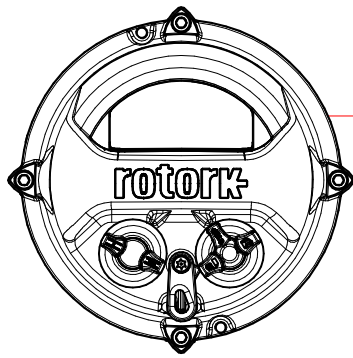
POWER SUPPLY LOOM CONNECTIONS

TERMINAL BLOCK	SK1 PIN No.
B SUPPLY 24Vdc	1 SUPPLY 24Vdc
C COMMON	3 COMMON
D EARTH	2 EARTH / GROUND

- NOTES:**
- POWER SUPPLY 24Vdc NOMINAL (RANGE 9-28 Vdc).
 - CONFIGURABLE NON-LATCHING CONTACTS S1 & S2. SINGLE POLE, SINGLE THROW (SPST). CONFIGURABLE NORMALLY OPEN OR NORMALLY CLOSED. RATED 0.7A @ 24VDC.
 - 4 x SOLENOID OUTPUTS. 24Vdc +/-10%. 15 WATT MAX OUTPUT ACROSS ALL 4 OUTPUTS.
 - MODBUS INTERFACE. REFER TO MANUAL PUB091-004.
 - 3 ISOLATED ANALOGUE INPUTS. INPUT 1 & 2 PRESSURE (4-20mA/5Vdc). INPUT 3 PRESSURE/POSITION (4-20mA/5Vdc). FOR 2 PIN SENSORS USE 24Vdc (+ve), INPUT AS SENSOR -VE. FOR 3 PIN SENSORS USE EARTH AS -Ve. INPUT AS SENSOR OUTPUT.

		Document type: WIRING SCHEMATIC		Title: Schematic, ELB Wiring	
©2018 Rotork Group of Companies. All rights reserved. This document and its contents may not be reproduced, distributed, transmitted, displayed, published, or broadcast, in whole, or in part, without the prior express written permission of Rotork Group of Companies.		Dimensions in mm Scale: 1:2		Drawing Number: SMW-1065	
Created: B.Clayton	Checked:	2017-02-10	Approved: L.Rhodes	2017-03-06	Rev: 5-0
Rev: 5-0	ECN: CN-2561	Revised: J.Tallant	Rev. Approved: B.Clayton	Date: 2018-02-19	Change Description: Note 1: changed to state (RANGE 9-28 Vdc). Note 7: changed to 24Vdc 10W power supply.
1	2	3	4	5	6

Template Issue: 06SEP17

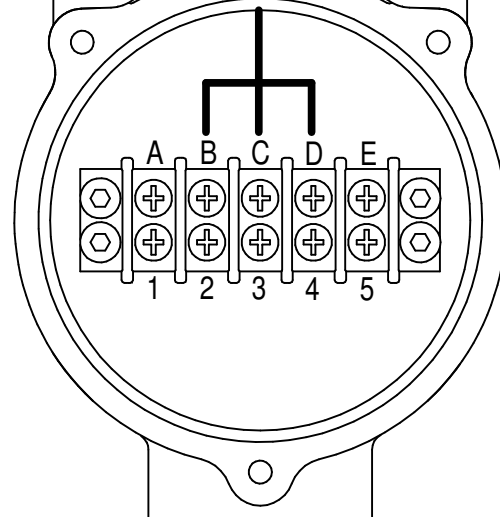


SK3 - LIMIT SWITCH INPUTS (SEE NOTE 6)	
OPEN SWITCH (+ve)	43
COMMON (-ve)	44
CLOSED SWITCH (+ve)	45
COMMON (-ve)	46
PARTIAL STROKE SWITCH (+ve)	47
COMMON (-ve)	48
NOT USED	49

SK5 - CUSTOMER SUPPLY (SEE NOTE 7)	
INTERNAL SUPPLY 24Vdc (+ve)	50
INTERNAL SUPPLY 0Vdc (-ve)	51

SK4 - REMOTE INPUTS (SEE NOTE 8)	
OPEN	34
CLOSE	35
PARTIAL STROKE	36
MANUAL RESET	37
MAINTAIN	38
COMMON (-ve)	39
NOT USED	40
PROCESS SHUT DOWN (+ve)	41
PROCESS SHUT DOWN (-ve)	42

SK1 - RELAY OUPUTS (SEE NOTE 9)	
ALARM RELAY (N/C)	52
ALARM RELAY (COMMON)	53
ALARM RELAY (N/O)	54
MONITOR RELAY (N/O)	56
MONITOR RELAY (COMMON)	55
MONITOR RELAY (N/C)	57



NOTES:
 6. NON ISOLATED DIGITAL INPUTS FOR LIMIT SWITCHES. SUITABLE FOR NORMALLY OPEN CONTACTS. POWERED VIA INTERNAL 24Vdc SUPPLY.

7. ISOLATED, NOMINAL 24Vdc, 10W POWER SUPPLY AVAILABLE FOR ELB FED REMOTE CONTROLS.

8. DIGITAL CONTROL SIGNALS. Control with 20-60Vdc, 40-120Vac. MIN 0.15W / INPUT.

9. ALARM & MONITOR RELAY. SINGLE POLE DOUBLE THROW (SPDT). RATED 0.7A @ 24Vdc.

		Document type: WIRING SCHEMATIC Dimensions in mm Scale: 1:1	Title Schematic, ELB Wiring
Created: B.Clayton Checked: L.Rhodes Approved: L.Rhodes	2017-02-10 2017-03-06	Drawing Number SMW-1065	Rev 5-0
www.rotork.com Leeds - UK		Mass Size A3 Sheet 2 of 2	

Template Issue - 06SEP17

Rev	ECN	Revised	Rev. Approved	Date	Change Description
5-0	CN-2561	J.Tallant	B.Clayton	2018-02-19	Note 1: changed to state (RANGE 9-28 Vdc). Note 7: changed to 24Vdc 10W power supply.