

196.00mm [7.72in]
55.37mm [2.18in]

SEE NOTE: 4

SEE NOTE: 3

SEE NOTE: 4

68.00mm [2.68in]

Ø300.00mm [Ø11.81in]

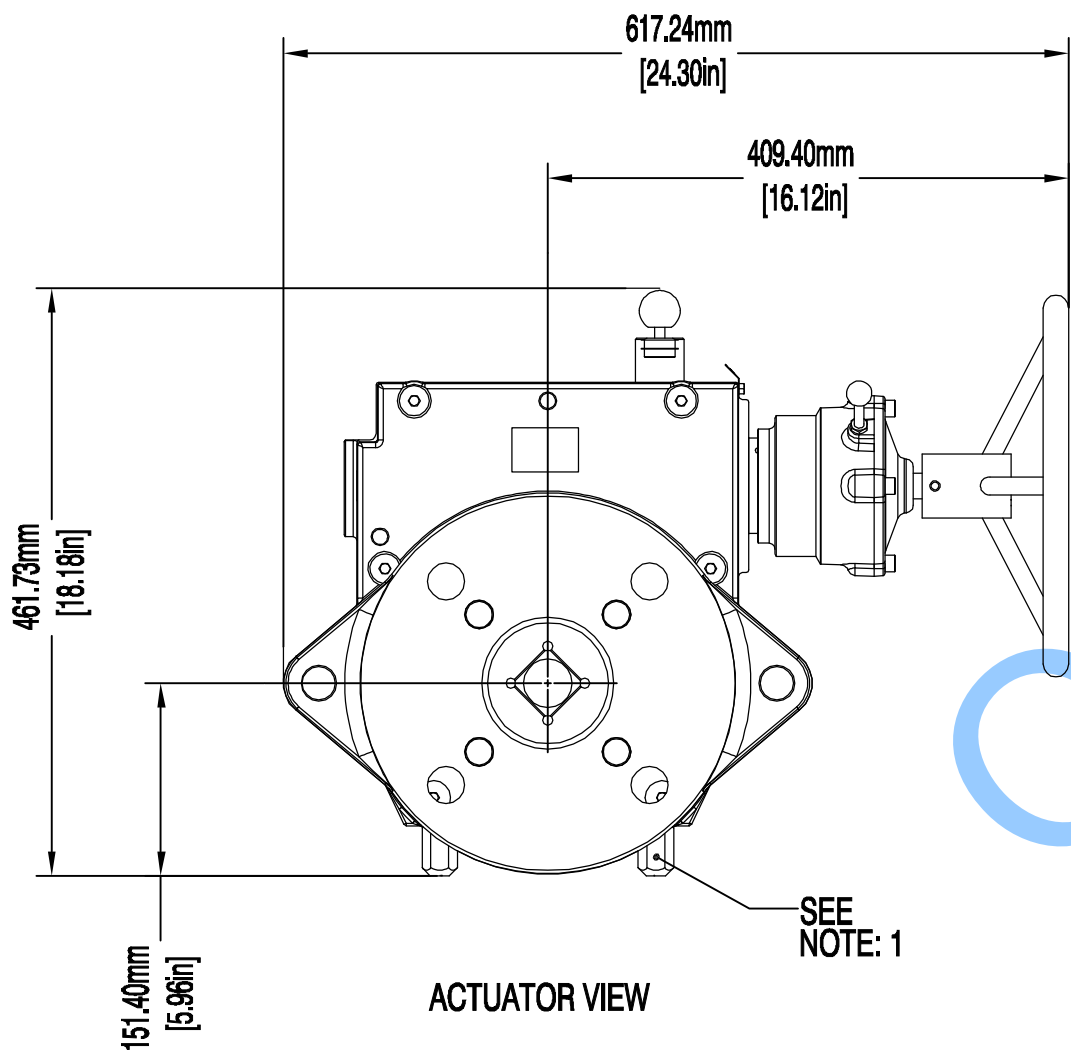
155.00mm [6.10in]

108.00mm [4.25in]

40.89mm [1.61in]

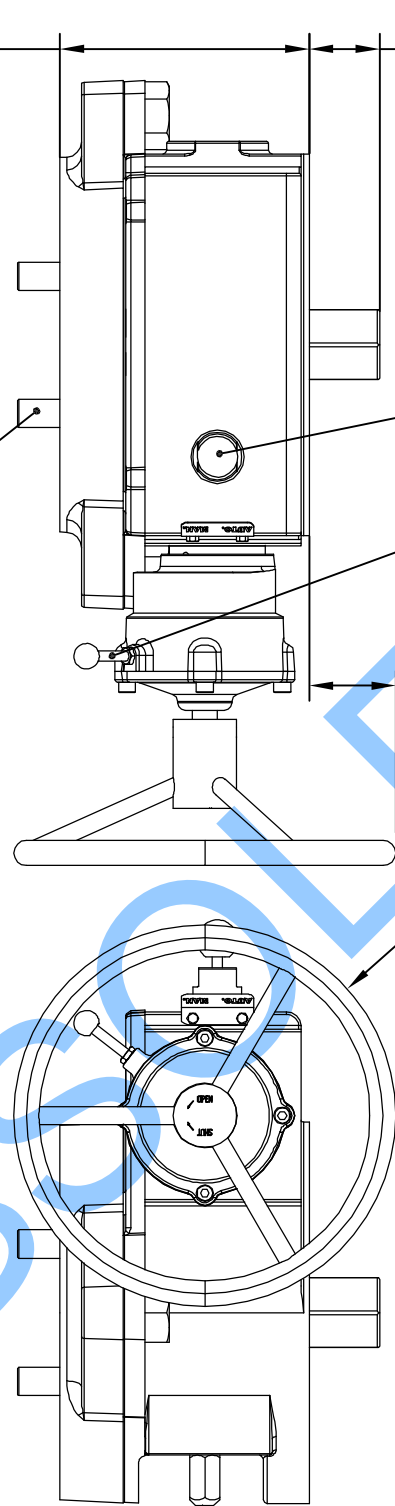
(4 PLACES)
7/8-9 UNC-2B
TAPPED 24 mm (.944in) DEEP,
152.9mm (6.02in) BOLT CIRCLE
STRADDLE ϕ

- NOTES:
1) MECHANICAL STOPS, ADJUSTABLE
2) GEAR ENGAGEMENT LEVER
3) DECLUTCH PULL-PIN
4) MOUNTING BOLTS TO K-5 ACTUATOR
5) EST. WT. 108.86 kg (240 LB.)
6) ACTUATOR MAY BE REMOVED FROM AUTOMATED VALVE WHILE GEAR REMAINS ATTACHED TO OPERATE THE VALVE OR DAMPER.
7) AVAILABLE WITH ISO 5211 VALVE-SIDE MOUNT FLANGE AND FEMALE DRIVE - CONSULT K-TORK.

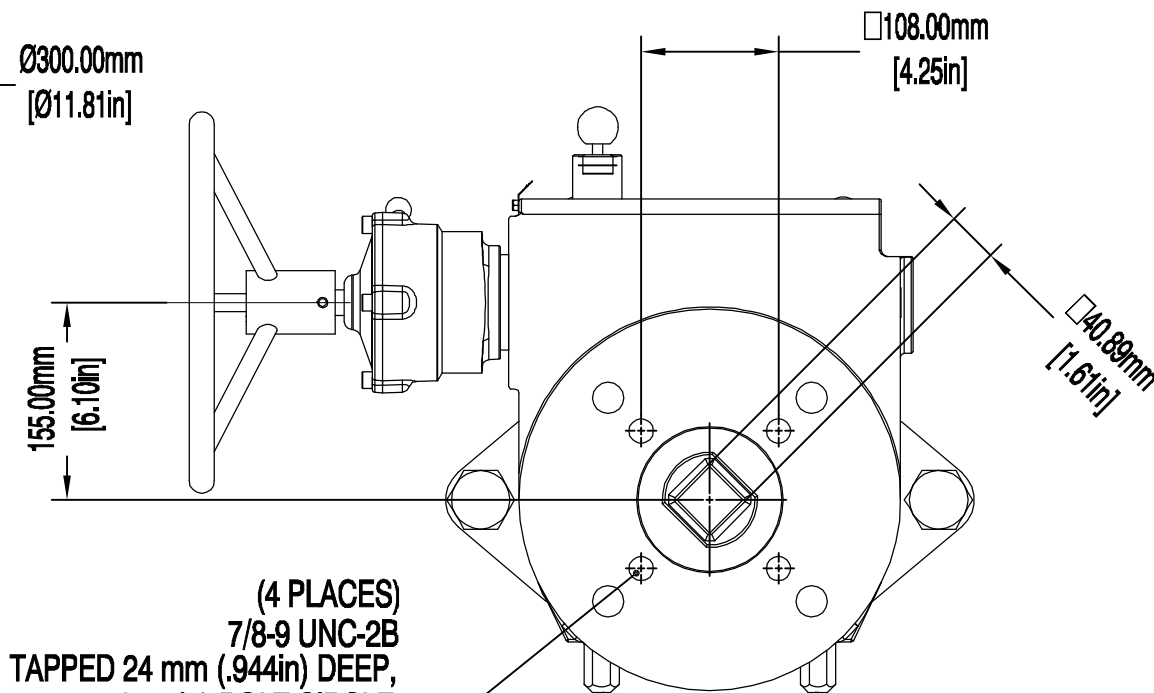


ACTUATOR VIEW

SEE NOTE: 1



SIDE VIEW

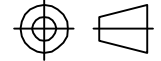


VALVE SIDE MOUNTING VIEW



Texas - USA
www.rotork.com

This drawing is confidential and is the property of Rotork Dallas Inc. and must not be reproduced either wholly or partly. All rights in respect of patents, designs and copyrights are reserved. © 2015

Document type	DETAIL DRAWING		Title	
	 Dimensions in mm Scale 1:1		K-5-HWMO - IMPERIAL MOUNTING HOLES	
Created	S.DINESH	30-JAN-2015	Drawing Number	Rev
Checked	S.SUDHIR	30-JAN-2015	D000000248	0
Approved	K.PRICE	30-JAN-2015	Sheet 1 of 1	Size A3

Rev B