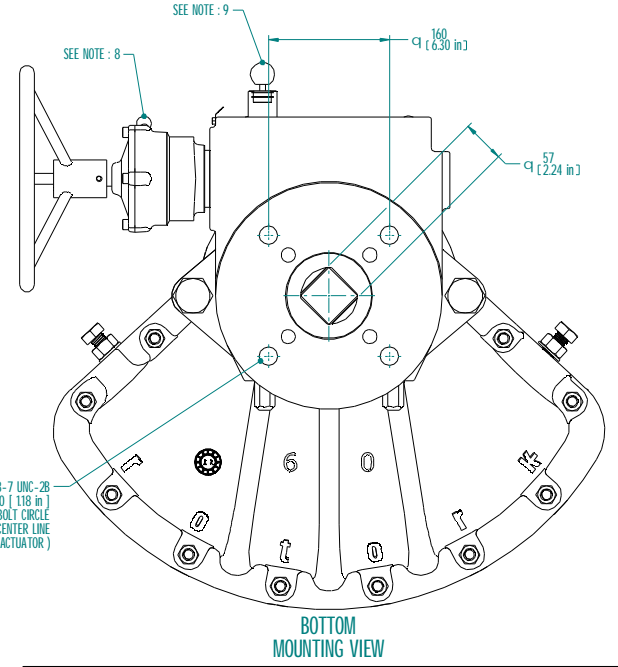
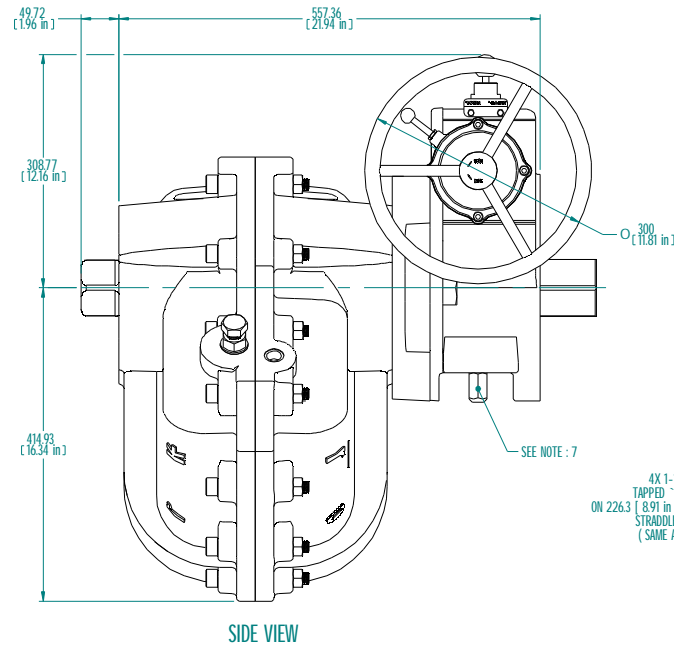
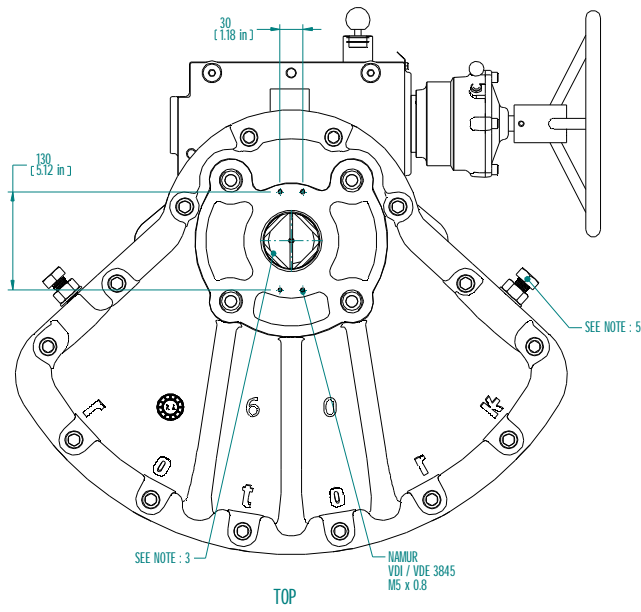
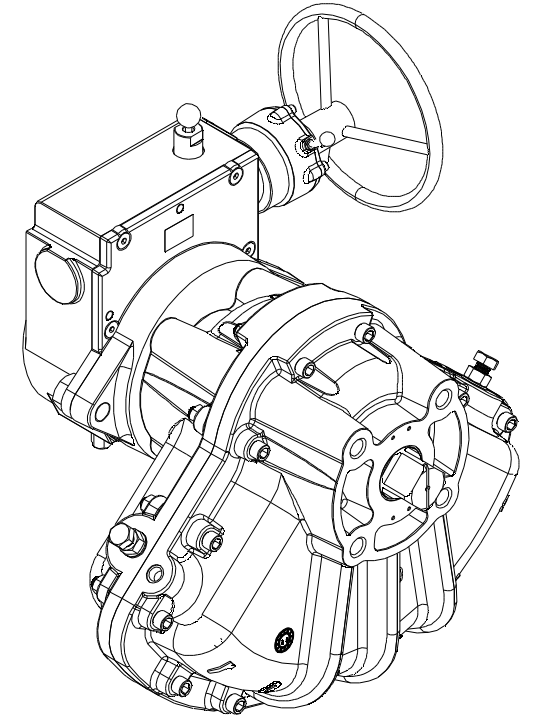
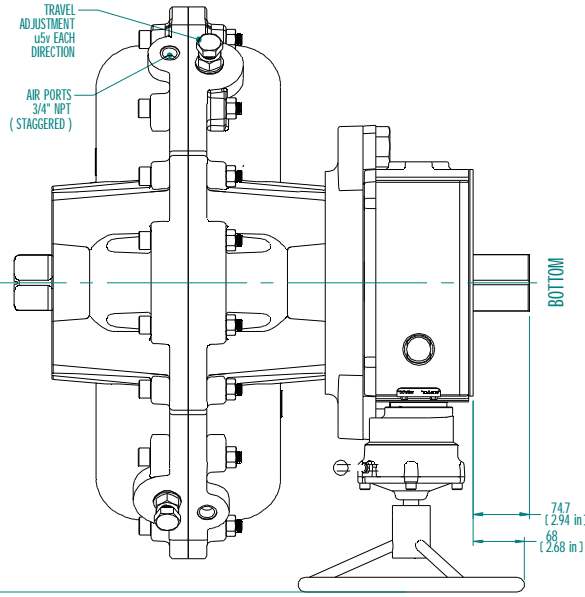
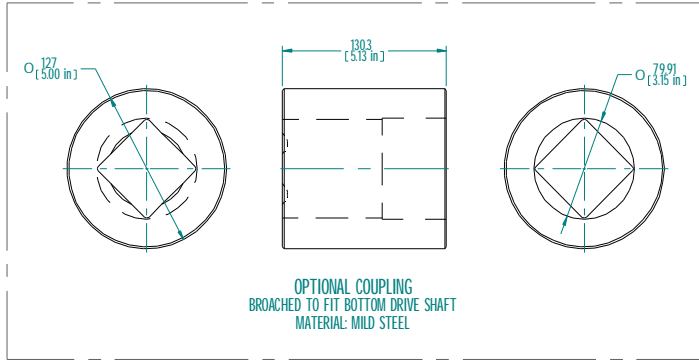


- NOTES:
1. MAX. ALLOWABLE OPERATING PRESSURE (MAOP) = 10 BAR (150 PSIG)
 2. WARNING - SEE ROTORK INSTALLATION, OPERATION & MAINTENANCE MANUAL BEFORE MOUNTING, INSTALLING OR SERVICING.
 3. ACTUATOR SHOWN IN FULL CW POSITION, SCRIBE MARK ON SHAFT SHOWS VANE LOCATION.
 4. WEIGHT 210.46 Kg (464.0 LB.)
 5. RESTRICTED TRAVEL VERSIONS OPTIONAL.
 6. ACTUATOR MAY BE REMOVED FROM AUTOMATED VALVE WHILE GEAR REMAINS ATTACHED TO OPERATE THE VALVE OR DAMPER.
 7. GEARBOX MECHANICAL STOPS, ADJUSTABLE.
 8. GEAR ENGAGEMENT LEVER.
 9. DECLUTCH PULL-PIN.



| | | | | |
|-----|---------|---------|-------------|-------------------------|
| B | K.SEKAR | K.PRICE | 15-JUL-2015 | DESCRIPTION UPDATED |
| A | K.SEKAR | K.PRICE | 12-JUN-2015 | REDRAWN: SOLID EDGE 3D |
| Rev | ECN | Revised | Approved | Date Change Description |

rotork This drawing is confidential and is the property of Rotork Dallas Inc. and must not be reproduced either wholly or partly. All rights in respect of patents, designs and copyrights are reserved. © 2015

Dallas Texas - USA
www.rotork.com

| | | | | |
|---------------|---------------------|-------------|----------------|-----------------------------------------------------|
| Document type | GENERAL ARRANGEMENT | | Title | KT-60-DA-HAND - IMPERIAL AIR PORTS & MOUNTING HOLES |
| | Dimensions in mm | | | |
| | Scale 1:5 | | | |
| Created | K.SEKAR | 12-JUN-2015 | Drawing Number | D000000236 |
| Checked | S.SHIR | 12-JUN-2015 | Rev | B |
| Approved | K.PRICE | 12-JUN-2015 | Sheet | 1 of 1 Size A2 |