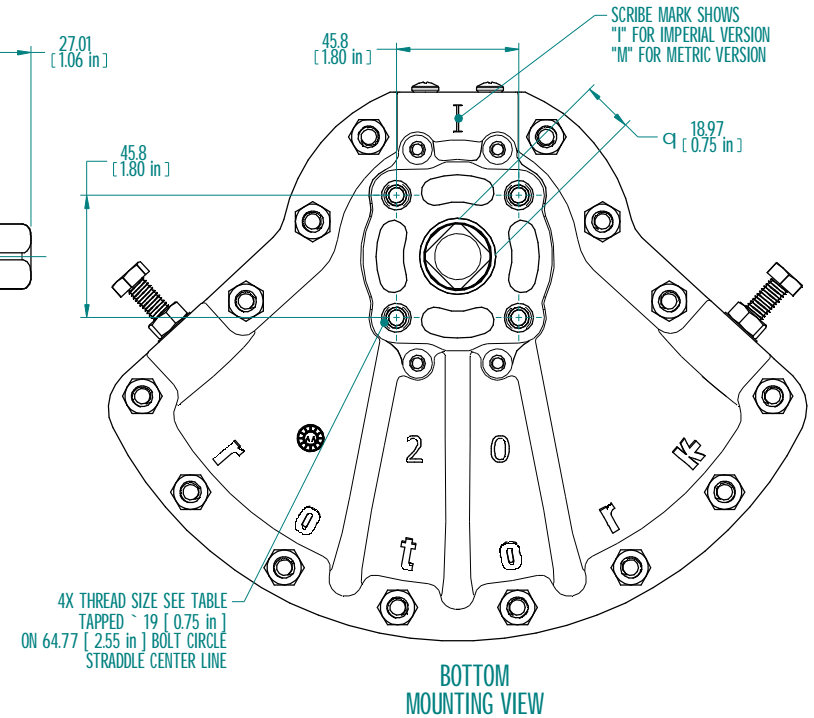
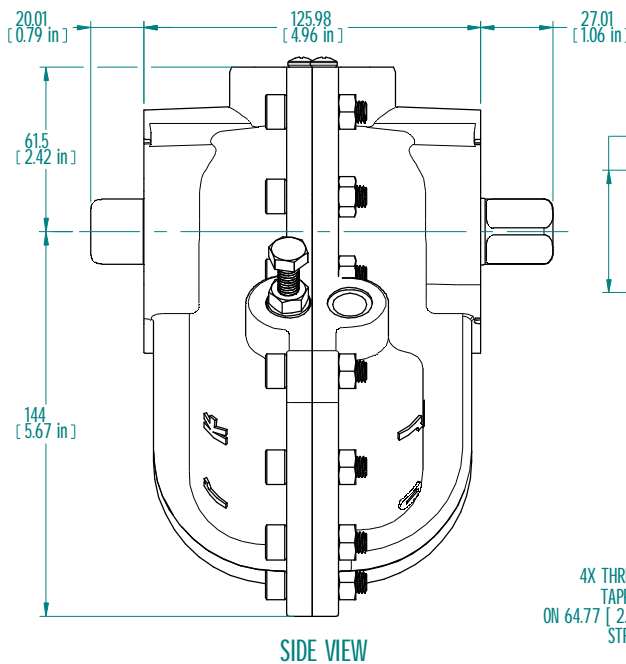
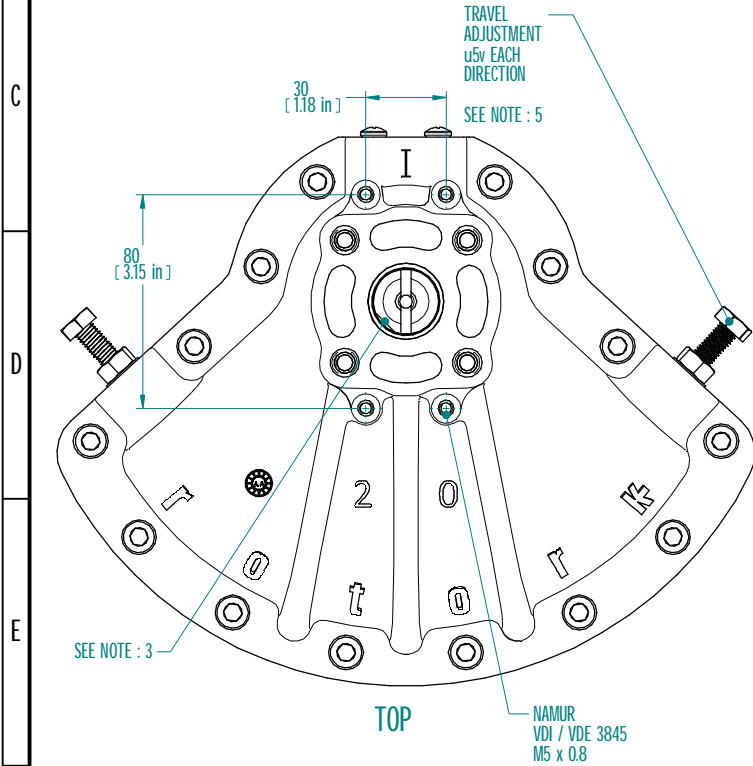
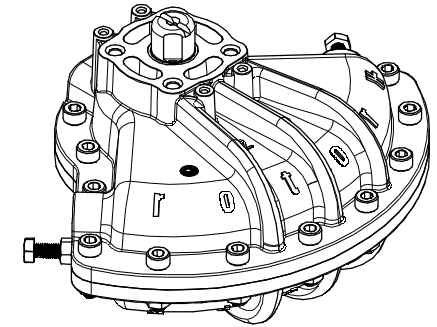
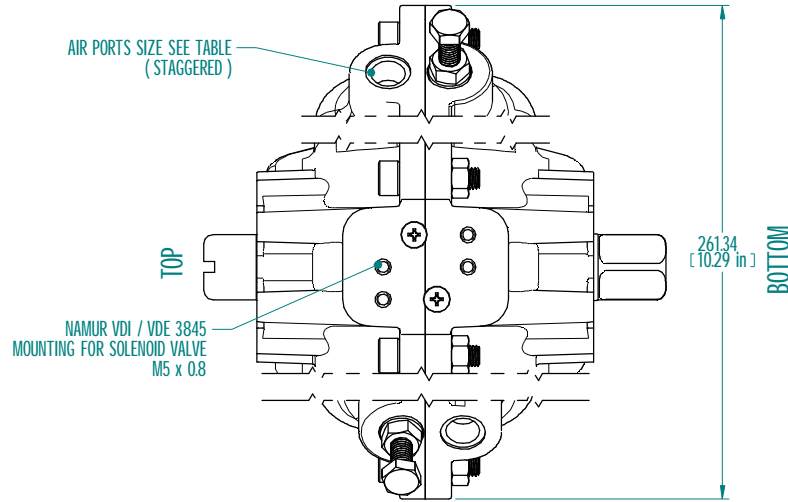
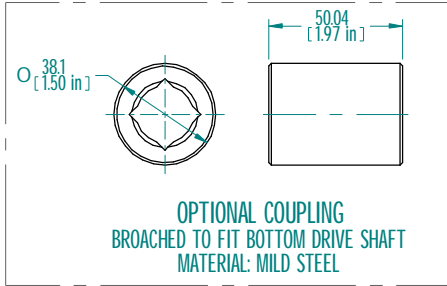


**NOTES:**

1. MAX. ALLOWABLE OPERATING PRESSURE (MAOP) = 10 BAR (150 PSIG)
2. WARNING - SEE ROTORK INSTALLATION, OPERATION & MAINTENANCE MANUAL BEFORE MOUNTING, INSTALLING OR SERVICING.
3. ACTUATOR SHOWN IN FULL CW POSITION, FLAT ON SHAFT SHOWS VANE LOCATION.
4. WEIGHT 5.44 KG (12 LB.)
5. RESTRICTED TRAVEL VERSIONS OPTIONAL.

	IMPERIAL	METRIC
THREAD SIZE	3/8-16 UNC	M10 x 1.5
AIR PORT SIZE	1/4-18 NPT	G1/4



Rev	ECN	Revised	Approved	Date	Change Description
B		K.SEKAR	K.PRICE	15-JUL-2015	DESCRIPTION UPDATED
A		K.SEKAR	K.PRICE	12-JUN-2015	REDRAWN: SOLID EDGE 3D

**rotork**® This drawing is confidential and is the property of Rotork Dallas Inc. and must not be reproduced either wholly or partly. All rights in respect of patents, designs and copyrights are reserved. © 2015

Dallas, Texas - USA  
www.rotork.com

Document type			GENERAL ARRANGEMENT		Title	
			Dimensions in mm		KT-20-DA	
			Scale 1:2		IMPERIAL / METRIC AIR PORTS & MOUNTING HOLES	
Created	K.SEKAR	12-JUN-2015	Drawing Number			
Checked	S.SUDHR	12-JUN-2015	D000000203			
Approved	K.PRICE	12-JUN-2015	Sheet 1 of 1 Size A3			

Rev. C