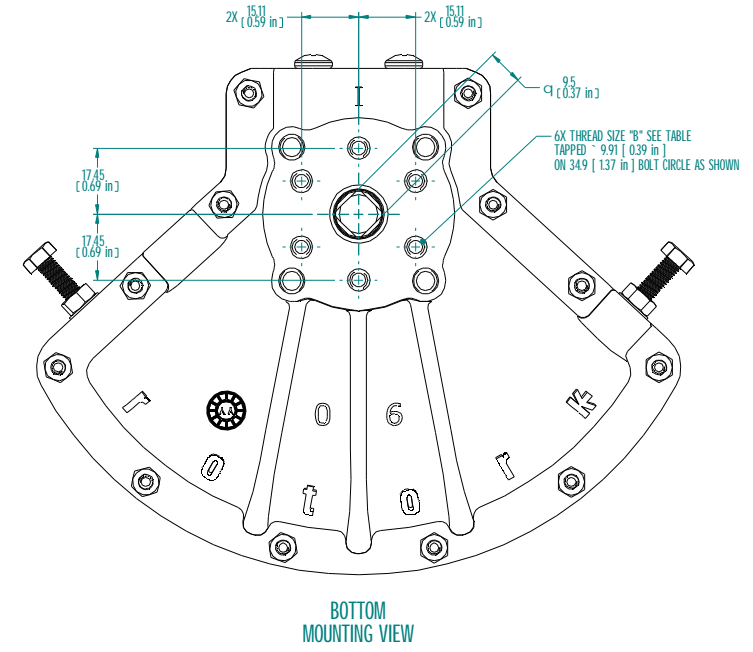
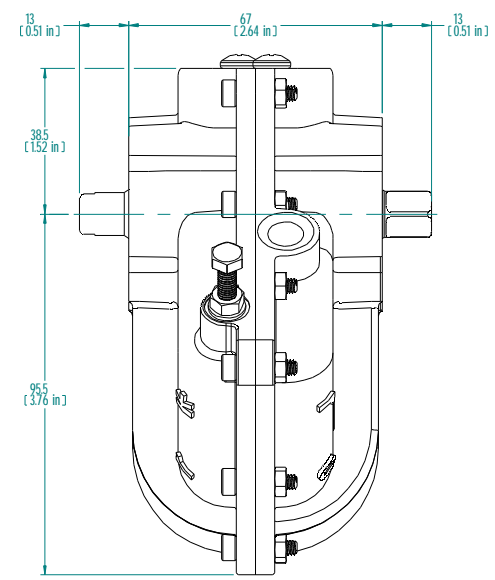
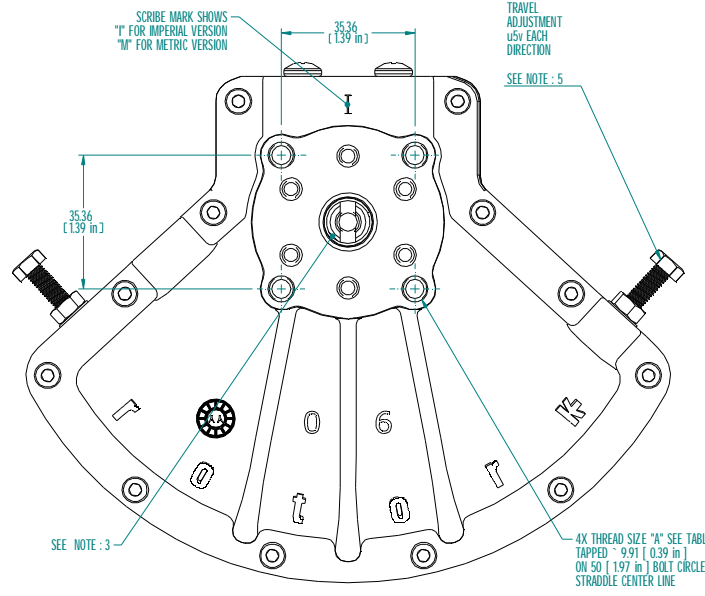
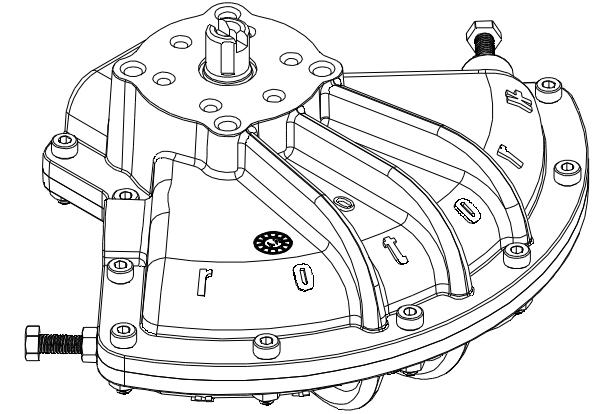
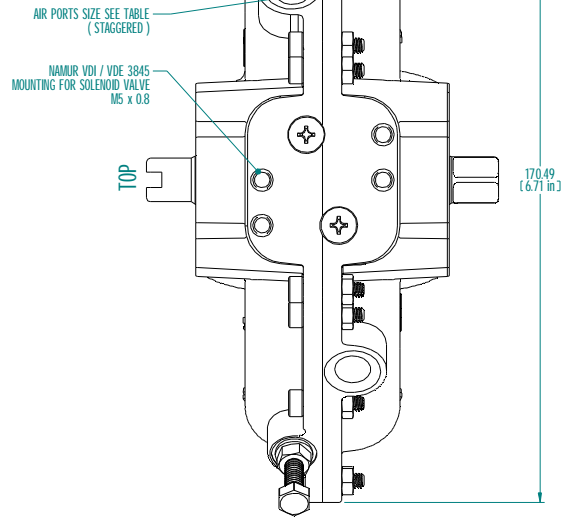
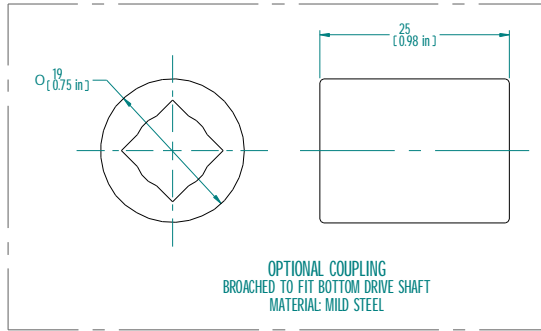


- NOTES:
1. MAX. ALLOWABLE OPERATING PRESSURE (MAOP) = 7 BAR (100 PSIG)
  2. WARNING - SEE ROTORK INSTALLATION, OPERATION & MAINTENANCE MANUAL BEFORE MOUNTING, INSTALLING OR SERVICING.
  3. ACTUATOR SHOWN IN FULL CW POSITION, FLAT ON SHAFT SHOWS VANE LOCATION.
  4. WEIGHT 11 KG (24 LB.)
  5. RESTRICTED TRAVEL VERSIONS OPTIONAL

	IMPERIAL	METRIC
THREAD SIZE "A"	1/4-20 UNC	M6 x 1
THREAD SIZE "B"	#10-24 UNC	M5 x 0.8
AIR PORT SIZE	1/8-27 NPT	G1/8



Rev	ECN	Revised	Approved	Date	Change Description
B		K.SEKAR	K.PRICE	14-JUL-2015	DESCRIPTION UPDATED
A		K.SEKAR	K.PRICE	12-JUN-2015	PRE RELEASE

**rotork** This drawing is confidential and is the property of Rotork Dallas Inc. and must not be reproduced either wholly or partly. All rights in respect of patents, designs and copyrights are reserved. © 2015

Dallas Texas - USA  
www.rotork.com

Document type: GENERAL ARRANGEMENT  
Scale: 1:2

Created: K.SEKAR 12-JUN-2015  
Checked: S.SIDHUR 12-JUN-2015  
Approved: K.PRICE 12-JUN-2015

Title: KT-06-DA IMPERIAL / METRIC AIR PORTS & MOUNTING HOLES  
Drawing Number: D000000258  
Sheet 1 of 1 Size: A2

Rev B