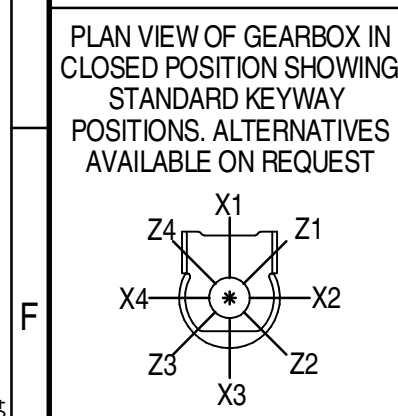
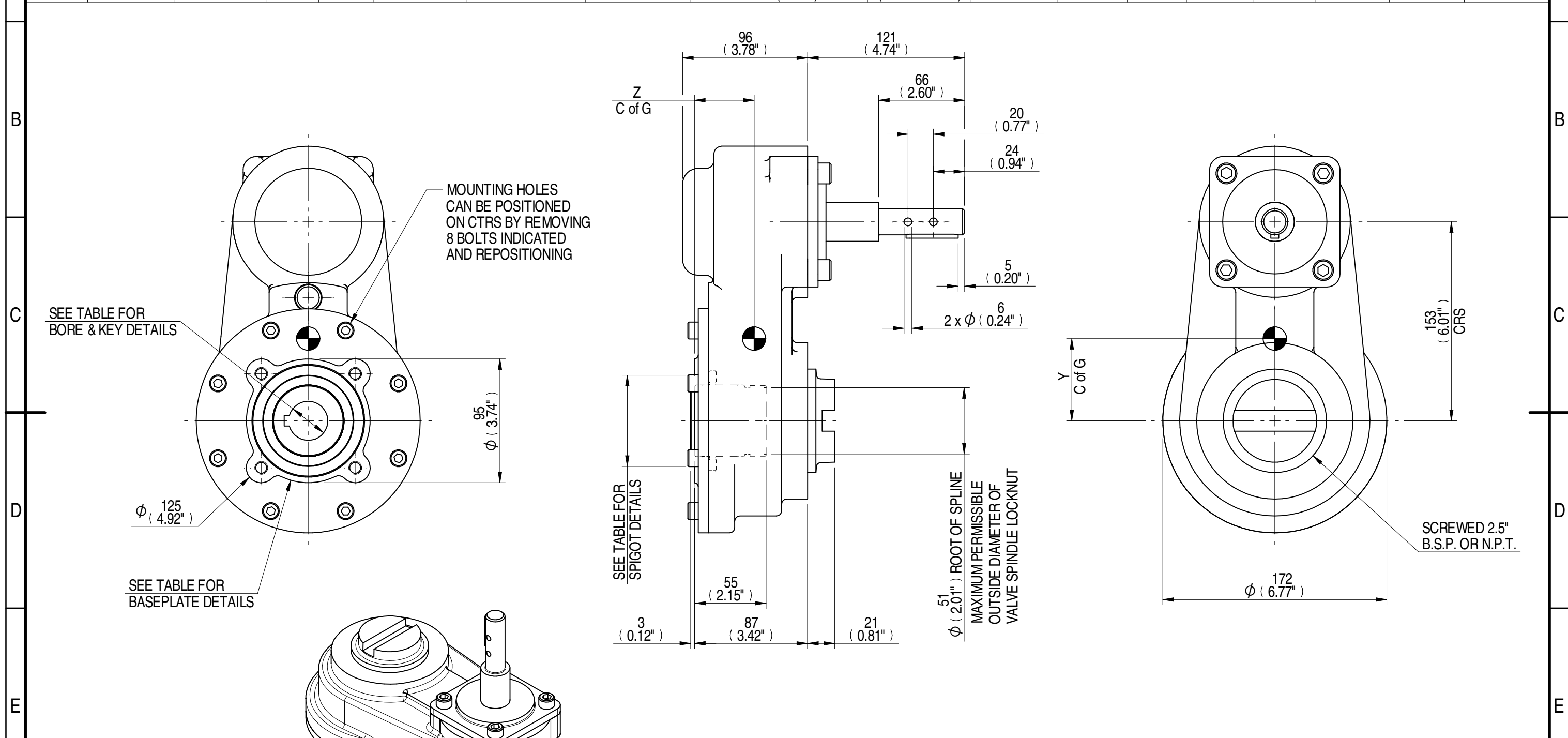


1	2		3		4			5		6			7		8		
INPUT FLANGE DETAILS					MOUNTING HOLES - BOLT CIRCLE (OFF CENTRES)					STEM ACCEPTANCE IN ACCORDANCE TO STANDARD							
INPUT FLANGE	FLANGE O/DIA. + THICKNESS	SHAFT DIA.	RECESS DIA.	RECESS DEPTH	HOLE DETAILS (OFF CENTRES)	KEY DETAILS	ISO 5211 / MSS SP-101 MOUNTING OPTION	HOLE DETAILS (45° OFF CENTRES)	SPIGOT DIAMETER	MAX SCREW STEM ACCEPTANCE	STANDARD	MIN BORE	SQ KEY MAX BORE	SQ KEY SIZE	RECT. KEY MAX BORE	RECT. KEY SIZE	SQ BORE MAX
-	-	19.98-0.05 (0.787"-0.002")	-	-	-	6x6x40 (0.24"x0.24"x1.57")	F10	4 x M10 x 15 (0.59") DEEP ON Ø102.0 (Ø4.02") P.C.	Ø69.95-0.05 (Ø2.754"-0.002")	45 (1.75")	BS4235	-	-	-	40.0	12 x 8	□ 31.6 (1.244")
-	-	-	-	-	-	FA10	4 x 3/8" UNC x 15 (0.59") DEEP ON Ø101.6 (Ø4.00") P.C.	Ø58.70-0.10 (Ø2.311"-0.004")	ANSI B17.1		-	1.500"	3/8" SQ.	1.625"	3/8" x 1/4"		
-	-	-	-	-	-	-	-	-	DIN 6885		-	-	-	-	-		



DESCRIPTION	TORQUE	CENTRE OF GRAVITY
3	2.700	15.21
RATIO	M.A.	WEIGHT
	508	188
		0
		63
		46
		X
		Y
		Z

NOTES:
 1. * THREAD DEPTH DOES NOT MATCH ISO STANDARD
 2. CENTRE OF GRAVITY POSITION IS INDICATIVE FOR STANDARD BUILD WHEN IN POSITION SHOWN

AS PART OF CONTINUOUS PRODUCT DEVELOPMENT, ALL DETAILS SUBJECT TO CHANGE WITHOUT PRIOR NOTICE. FOR UP TO DATE DETAILS PLEASE VISIT www.rotork.com

rotork Gears
 LEEDS - UK
www.rotork.com

This drawing is confidential and is the property of Rotork Gears and must not be reproduced either wholly or partly. All rights in respect of patents, designs and copyrights are reserved. © 2015

Document Type	PUBLICITY	Mass	15.18 kg	Title	HOS2 3:1 GEARBOX MANUAL INPUT, F10/FA10 OUTPUT	
Created	E CHANG	06/02/2015	Dimensions in mm	Drawing Number	PUB-HOS2-3-F10	
Checked	J DICKINSON	10/03/2015	Scale	1:3	Iss.	01
Approved				Sheet	1 of 1	Size A3