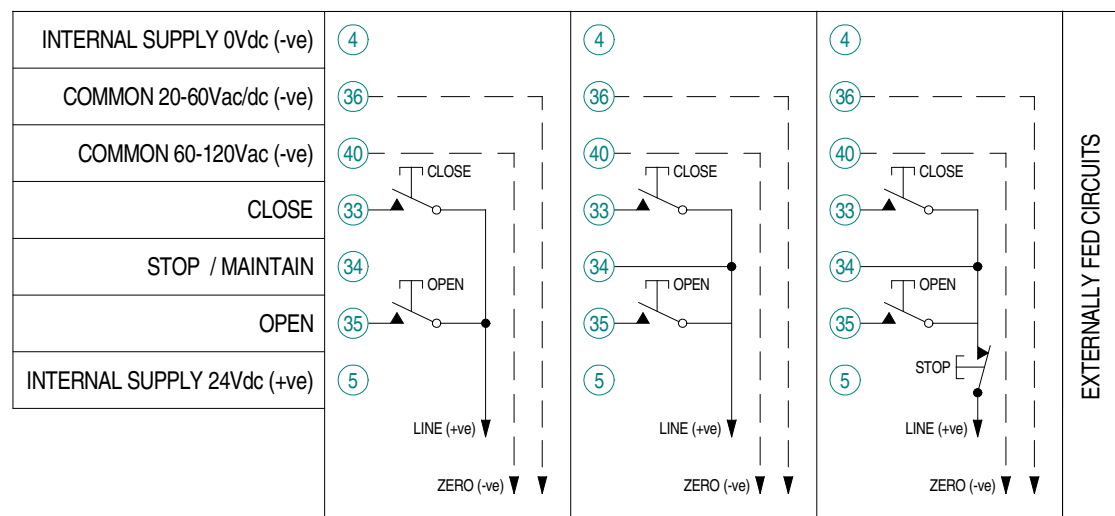
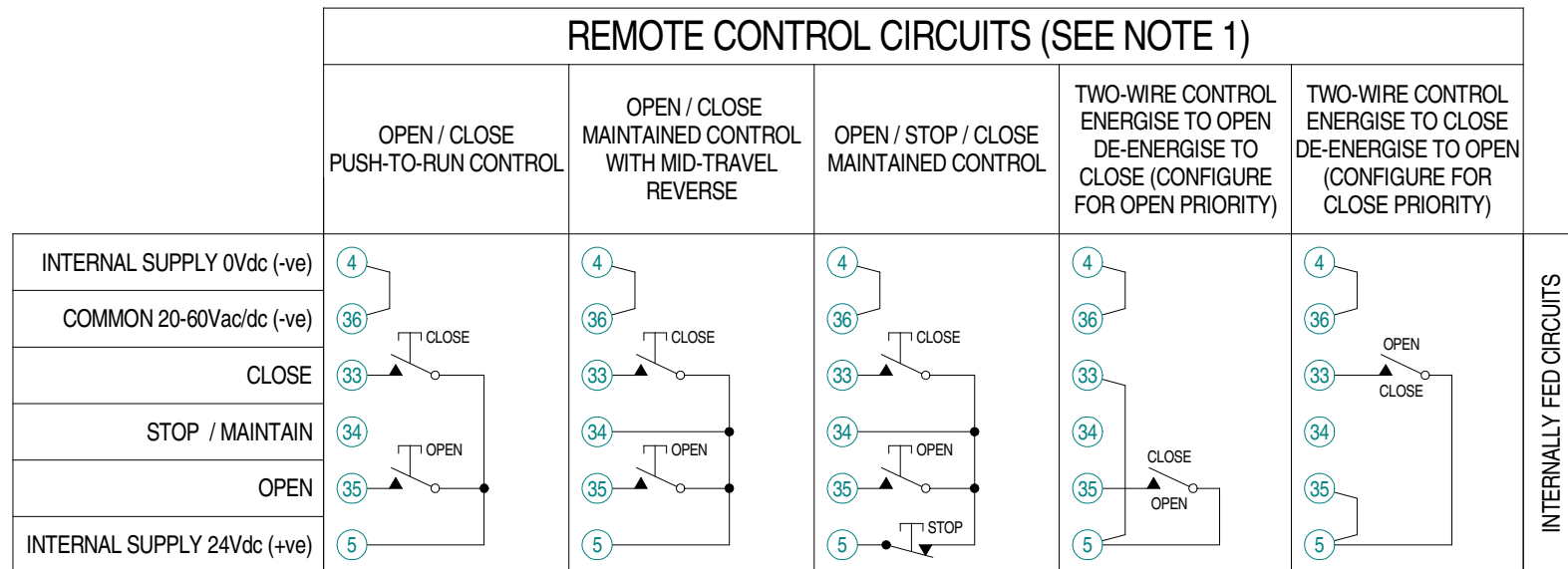




### REMOTE CONTROL CIRCUITS (SEE NOTE 1)

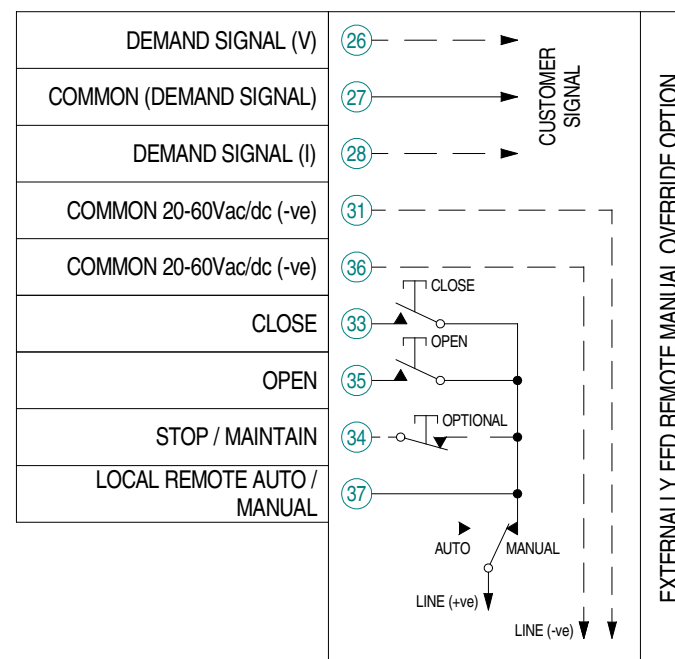
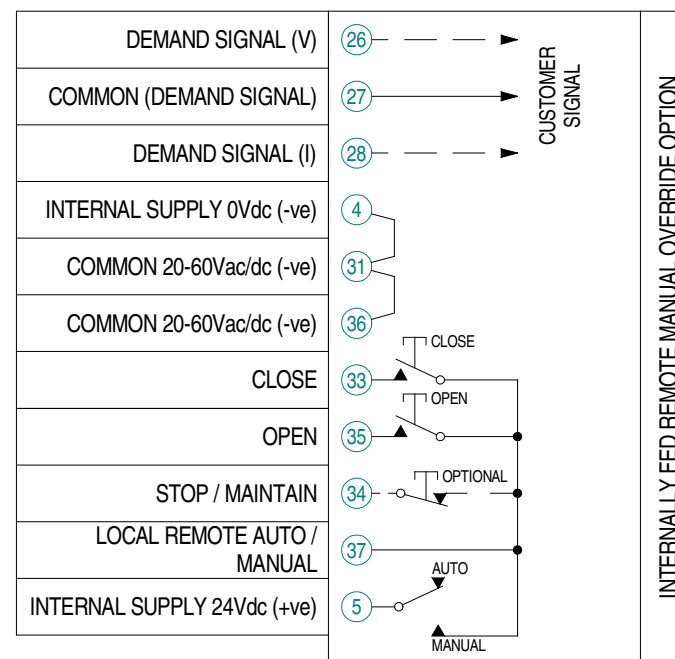
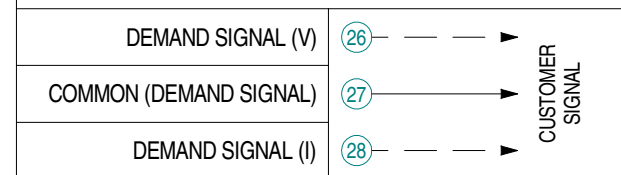


**NOTE - 1**  
 REMOTE CONTROL INPUTS ARE OPTO-ISOLATED INTERFACES WITH A SURGE IMMUNITY OF 2kV. STANDARD CONTROL IS POSITIVE SWITCHING.  
 THE STANDARD ACTUATOR CAN BE CONTROLLED USING REMOTE CONTROL SIGNALS DEFINED AS FOLLOWS:  
 THE CURRENT DRAWN FROM EACH CONTROL INPUT: 5mA AT 24Vdc - 12mA AT 120Vac.  
 GUARANTEED MINIMUM 'ON' VOLTAGE: 20V.  
 GUARANTEED MAXIMUM 'OFF' VOLTAGE: 3V.  
 SIGNAL DURATION: MINIMUM 300ms.

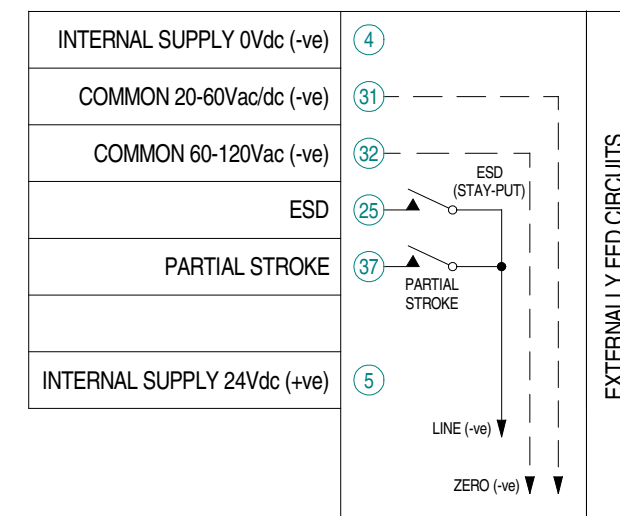
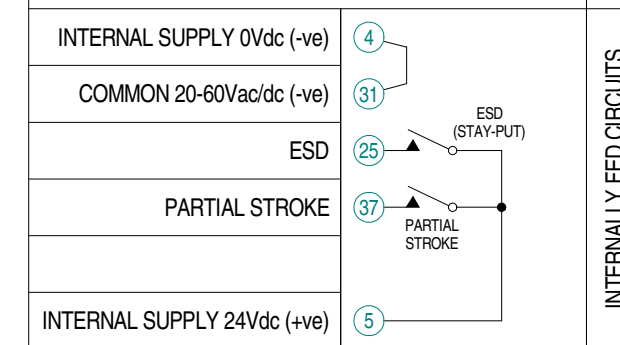
**NOTE - 2**  
 AS STANDARD, AN ANALOGUE CONTROLLED ACTUATOR WILL BE CALIBRATED TO 4-20mA.  
 THE ACTUATOR CAN BE CALIBRATED, ANYWHERE BETWEEN 0-20mA OR 0-10V IF REQUESTED.  
 THE ANALOGUE OUTPUT IS 4-20mA.

**NOTE - 3**  
 THE EMERGENCY SHUT-DOWN (ESD), SIGNAL WILL OVERRIDE ANY EXISTING LOCAL OR REMOTE SIGNAL, THE ACTUATOR CAN BE CONFIGURED TO OPEN, CLOSE OR STAY-PUT AS A RESPONSE TO A ESD SIGNAL. THE ACTUATOR CAN BE CONFIGURED TO RESPOND TO AN ESD SIGNAL FROM A 'MAKING' OR 'BREAKING' CONTACT.  
 SIGNAL DURATION: STAYPUT CONTACT.  
 PARTIAL STROKING WILL ONLY FUNCTION WHEN CONFIGURED FOR OPERATION FROM A REMOTE CONTROL CIRCUIT.  
 SIGNAL DURATION: MINIMUM 300ms.

### ANALOGUE CONTROL CIRCUITS (SEE NOTE 2)



### ESD CONTROL CIRCUITS (SEE NOTE 3)



THIS DRAWING IS CONFIDENTIAL AND IS THE PROPERTY OF ROTORK SKILMATIC AND MUST NOT BE REPRODUCED EITHER WHOLLY OR PARTLY. ALL RIGHTS IN RESPECT OF PATENTS, DESIGNS AND COPYRIGHTS ARE RESERVED. © 2007

REV.	DATE	CHG. No.	BY
A	28/06/07	1500	SNR
B	02/04/08	1550	SNR
-	-	-	-
-	-	-	-
-	-	-	-
-	-	-	-

ALL DIMENSIONS IN mm UNLESS OTHERWISE STATED  
 GENERAL TOLERANCE ±0.3mm.  
 M/C SURFACES ✓ TO BS.1134 μm Ra.  
 CASTING TOLERANCE TO ISO8062 GRADE CT6.  
 CASTING DRAW TAPER 2° MAX.  
 UNSPECIFIED CAST RADII TO BE 3mm MAX.  
 CAST EXTERNAL SURFACES TO BE SHOTBLAST.

DRAWN	SNR
DATE	30/03/06
CHECKED	-
DATE	-
APPROVED	-
DATE	-
SCALE	-

DRAWING TITLE	
CONTROL CIRCUITS GENERAL 'SI' ACTUATOR RANGE	
MATERIAL	-
SPEC	-
FINISH	-

**rotork**  
 Skilmatic

REGINA HOUSE  
 RING ROAD  
 LEEDS, LS13 4ET  
 ENGLAND  
 TEL. 0113 205 7278  
 FAX. 0113 236 3310

No. **SMW-SI-002** REV. **B**  
 SHEET 1 OF 1