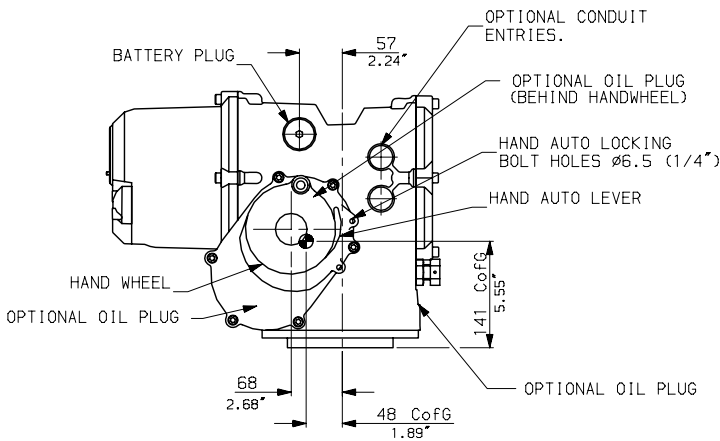
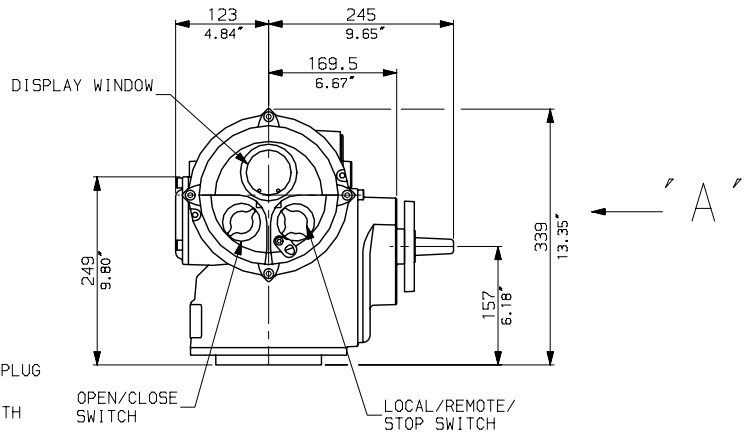
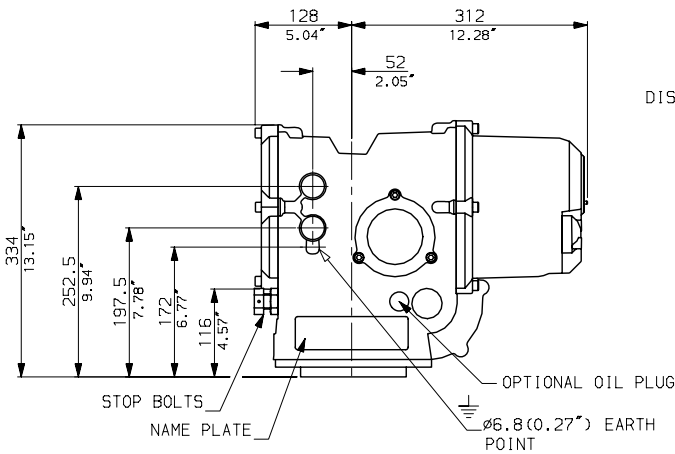
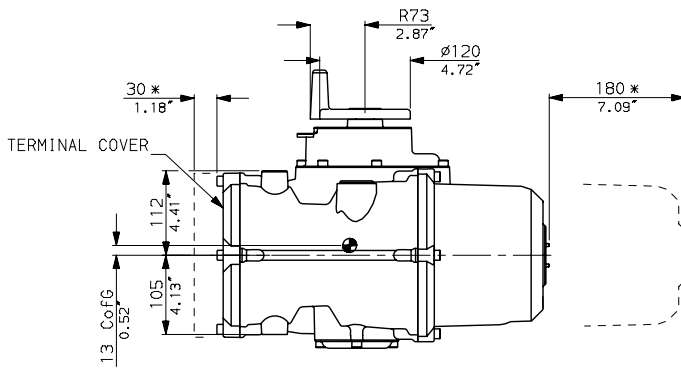


IQT1000 & 2000 ACTUATORS



VIEW ON ARROW 'A'

NOTES:

:REGISTERED DESIGN 000034863

:F12/FA12 /F14/FA14 BASE OPTION IS DETAILED TO SUIT THE RELEVANT COUPLING ARRANGEMENTS.

CONDUIT ENTRIES



TAPPED 2xM25x1.5p
(OPTIONAL ADAPTORS FOR M20, 1/2", 3/4", 1" NPT, 1 1/4", 1 1/2", PG16 & PG21).

rotork

IQT1000, 2000 DATA

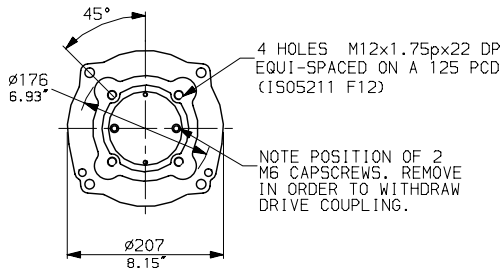
Date 180905

Scale 1:10

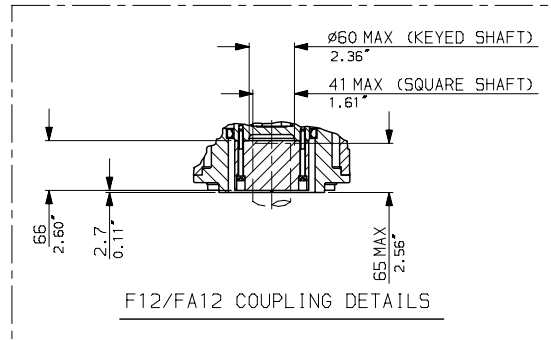
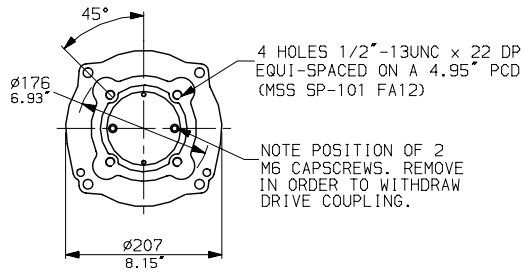
IQT1000, 2000 BASES

F12 / FA12 BASES

F12 BASE DETAILS

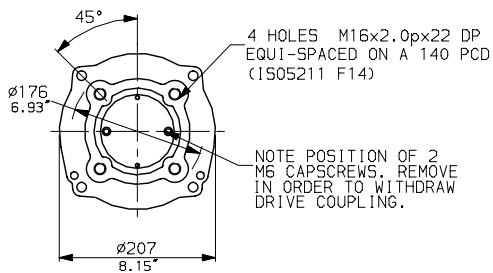


FA12 BASE DETAILS

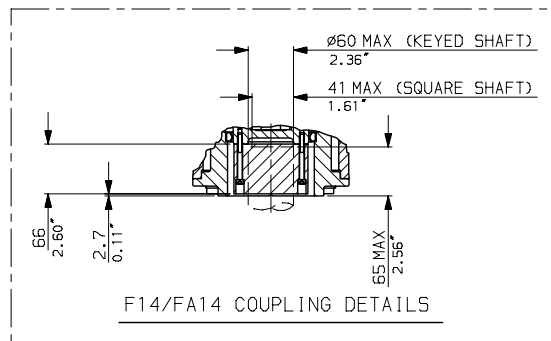
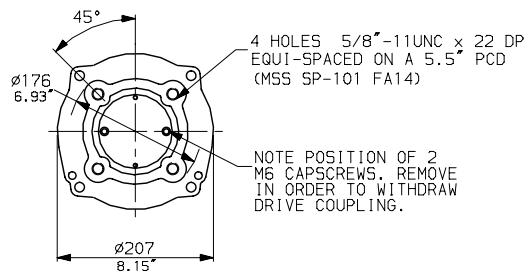


F14 / FA14 BASES

F14 BASE DETAILS



FA14 BASE DETAILS



rotork

IQT1000, 2000 BASES

Date 210605

Scale 1:10