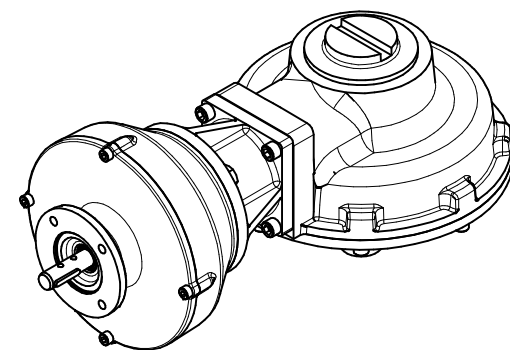
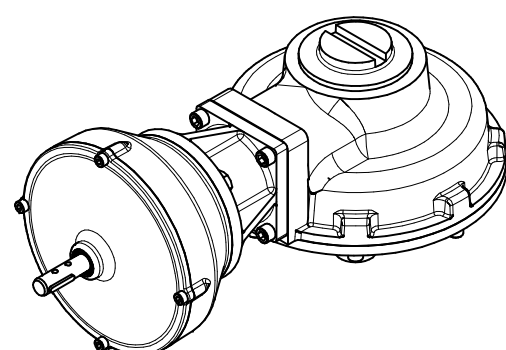


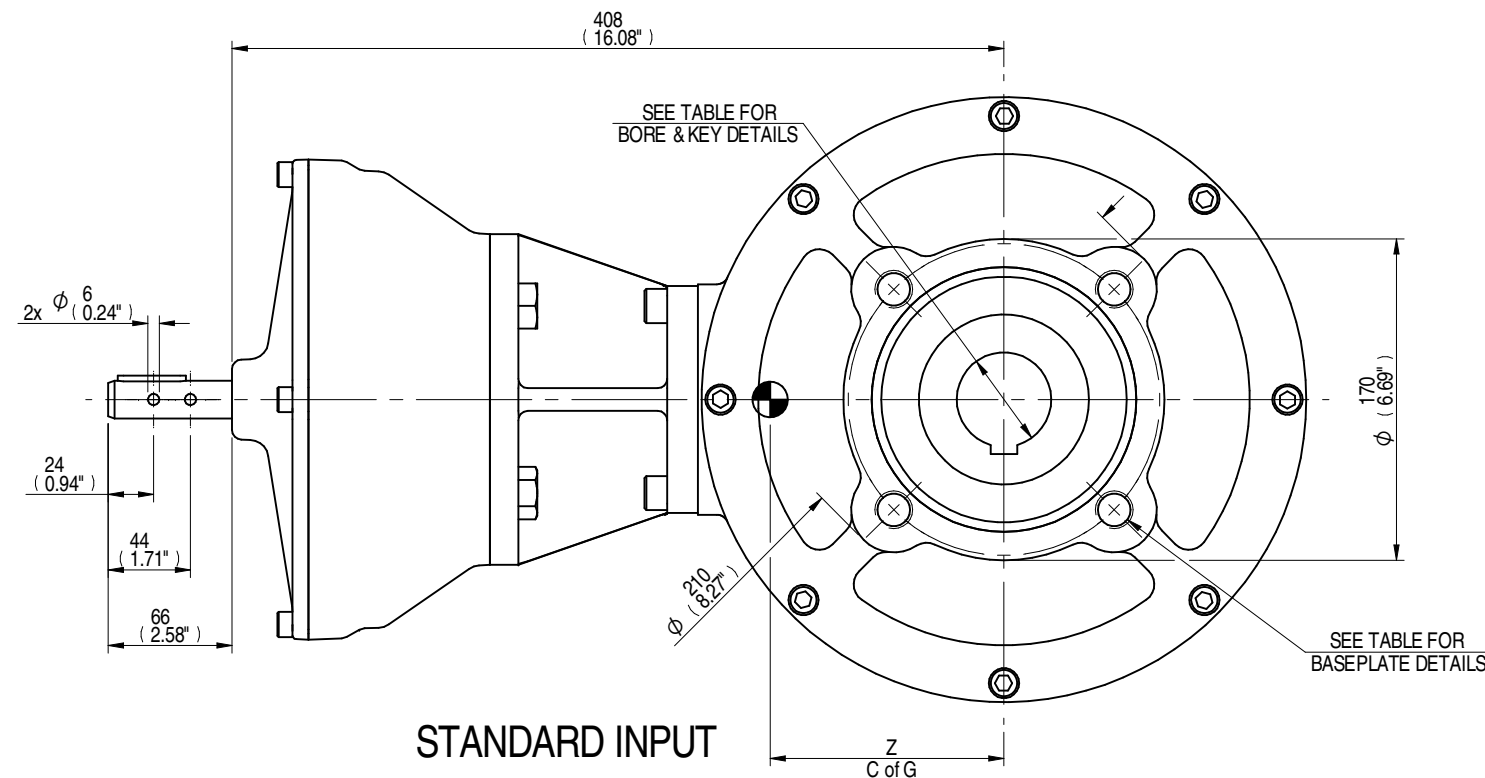
E-FLANGE INPUT



E-FLANGE INPUT ISOMETRIC VIEW 1:8



STANDARD INPUT ISOMETRIC VIEW 1:8



STANDARD INPUT

NOTE:  
MPR IS NOT SUITABLE FOR MOTORISED APPLICATIONS.

COMMON INPUT DETAILS		E-FLANGE INPUT DETAILS			
SHAFT DIA.	KEY DETAILS	FLANGE O/DIA.	RECESS DIA.	RECESS DEPTH	HOLE DETAILS (45° OFF CENTRES)
Ø19.98-0.05	6x6x36	Ø126	Ø70.05+0.05	3	4 HOLES Ø10.5 ON Ø102.0 P.C.
(Ø0.787"-0.002")	(0.24"x0.24"x1.42")	(Ø4.96")	(Ø2.758"+0.002")	(0.12")	4 HOLES Ø0.41" ON Ø4.02" P.C.

MOUNTING HOLES - BOLT CIRCLE (OFF CENTRES)		
STANDARD	SPIGOT DIAMETER	HOLE DETAILS (45° OFF CENTRES)
ISO F16	Ø129.95-0.05 (Ø5.116"-0.002")	4 HOLES M20X25 (0.98") DEEP ON Ø165.0 (Ø6.50") P.C.
FA16	Ø126.87-0.25 (Ø4.995"-0.010")	4 HOLES 3/4"UNCX25 (0.98") DEEP ON Ø165.1 (Ø6.50") P.C.

MAX BORE SQ KEY			MAX BORE RECTANGULAR KEY		MAX. STEM SCREW ACCEPTANCE DIA. 73 (2.875")
STD	BORE	KEY	BORE	KEY	
BS4235	-	-	68.0	20x12	
BS46	2.500"	5/8" SQ	2.625"	3/4" x 1/2"	
ANSI B17.1	2.500"	5/8" SQ	2.625"	5/8" x 7/16"	

DESCRIPTION		TORQUE			C of G		
MPR	RATIO	OUTPUT	INPUT	MA	X	Y	Z
MPR10	40.5:1	2550 Nm	87 Nm	29.3	0	27	128

AS PART OF CONTINUOUS PRODUCT DEVELOPMENT, ALL DETAILS SUBJECT TO CHANGE WITHOUT PRIOR NOTICE. FOR UP TO DATE DETAILS PLEASE VISIT [www.rotork.com](http://www.rotork.com)

**rotork**  
Gears  
LEEDS - UK  
[www.rotork.com](http://www.rotork.com)

This drawing is confidential and is the property of Rotork Gears and must not be reproduced either wholly or partly. All rights in respect of patents, designs and copyrights are reserved. © 2014

Document type	<b>PUBLICITY</b>	Mass	67.48 kg	Title	<b>HOB8 GEARBOX</b>
		Dimensions in mm			<b>MPR10 MANUAL INPUT REDUCER F16/FA16</b>
		Scale	1:4		<b>OUTPUT</b>
Created	J. DICKINSON	23/04/2014		Drawing Number	
Checked	T. WITAMORE	14/05/2014		<b>PUB-HOB8MPR10-F16</b>	Rev A
Approved	-	-		Sheet 1 of 1	Size A3