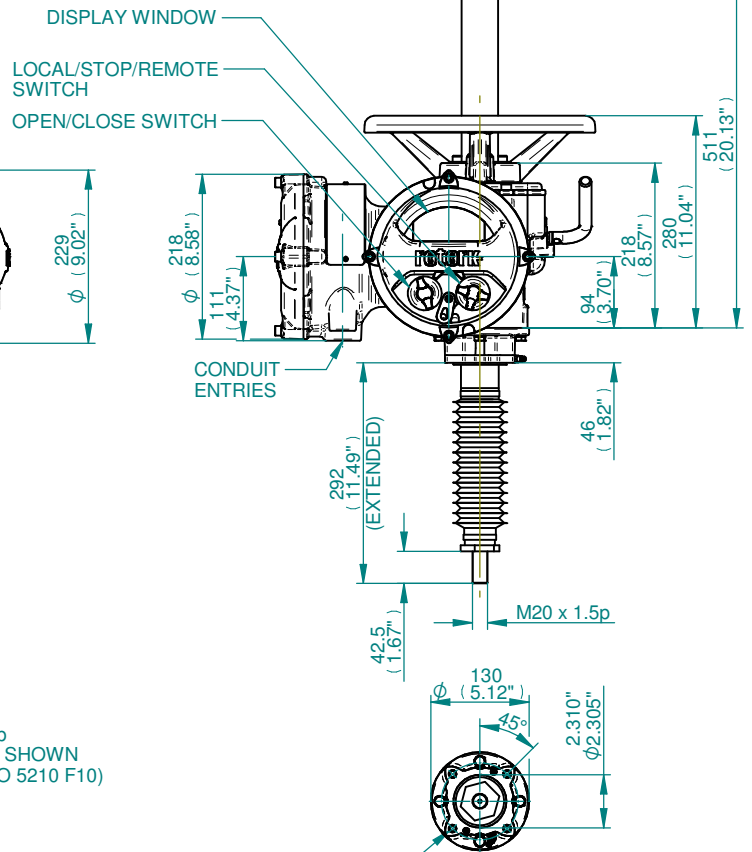
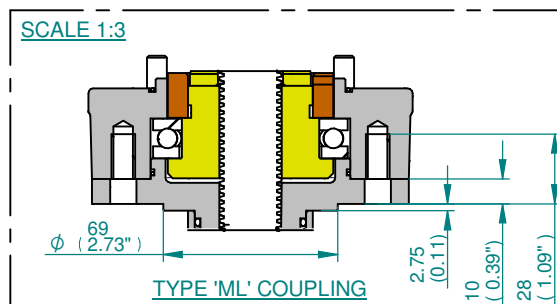
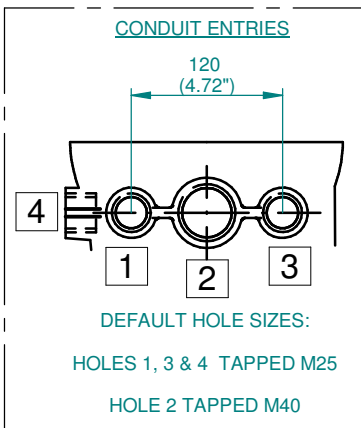


F10 BASE DETAILS



FA10 BASE DETAILS

4 HOLES 3/8" UNC
EQUI-SPACED AS SHOWN
ON A 4" PCD (MSS SP-102 FA10)



NOTES

1. STANDARD 158mm STROKE SHOWN
2. *1* REMOVAL ALLOWANCE REQUIRED

Title

DIMENSIONAL DATA SHEET FOR IQ3 MODULATING
LINEAR (Size 10,12) TOP HANDWHEEL

Date

170620

A4

Doc Number

IQ3-IQML1012

Ver No

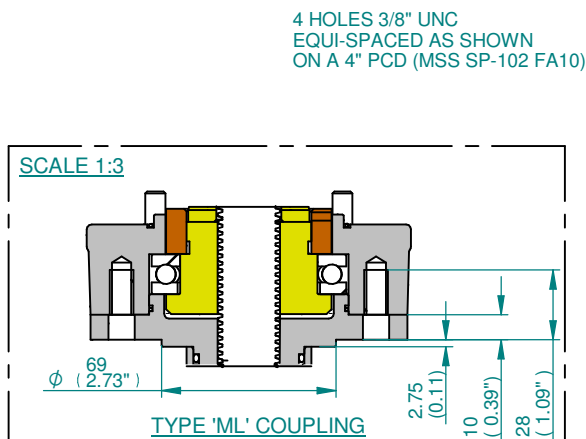
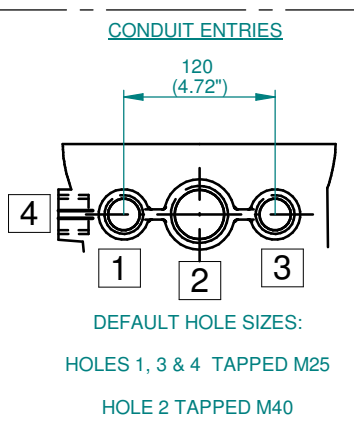
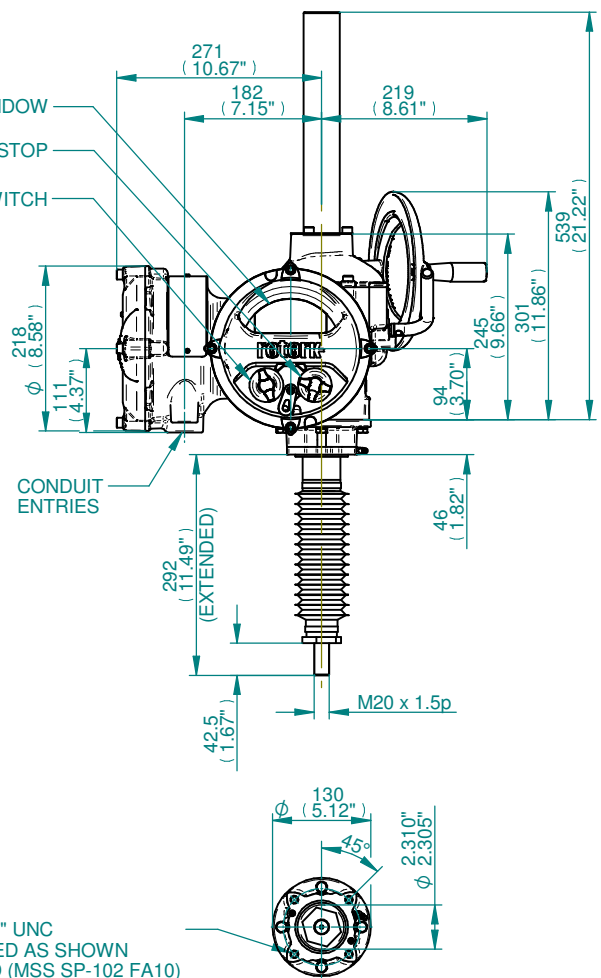
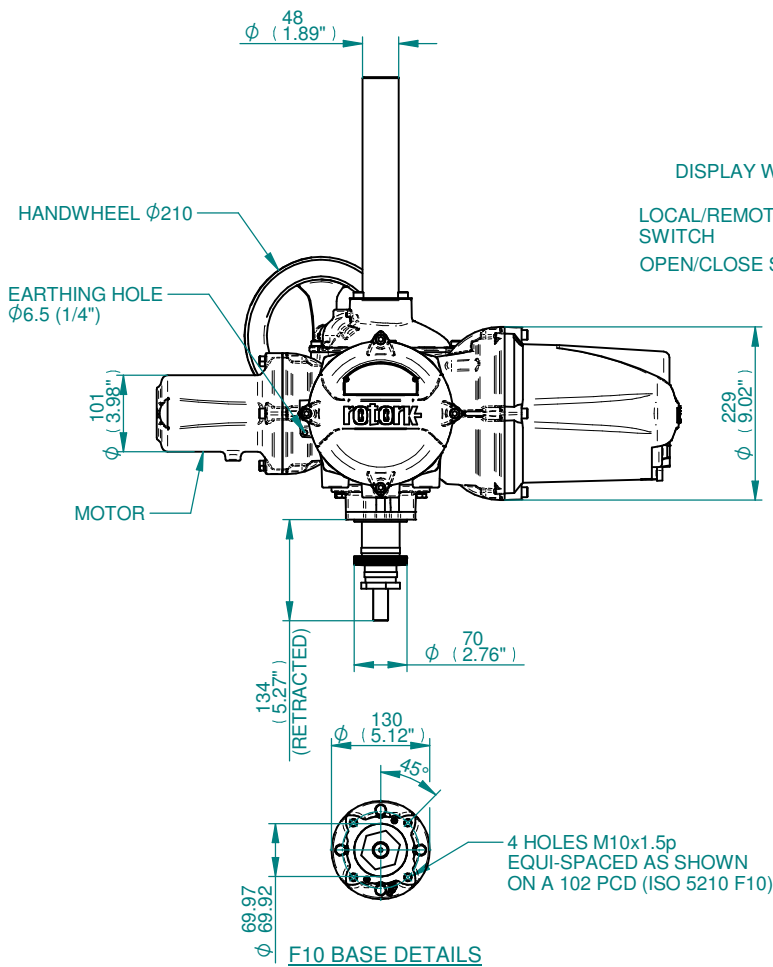
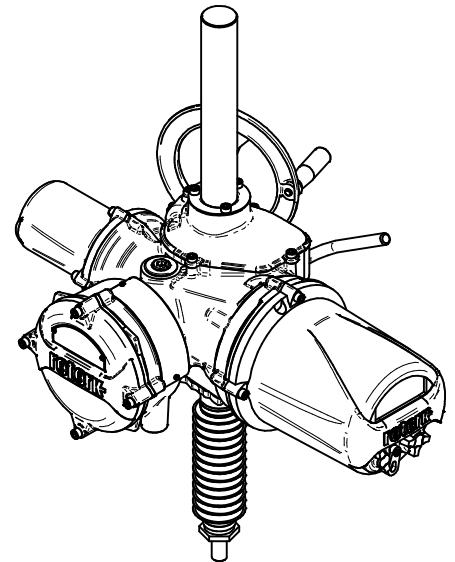
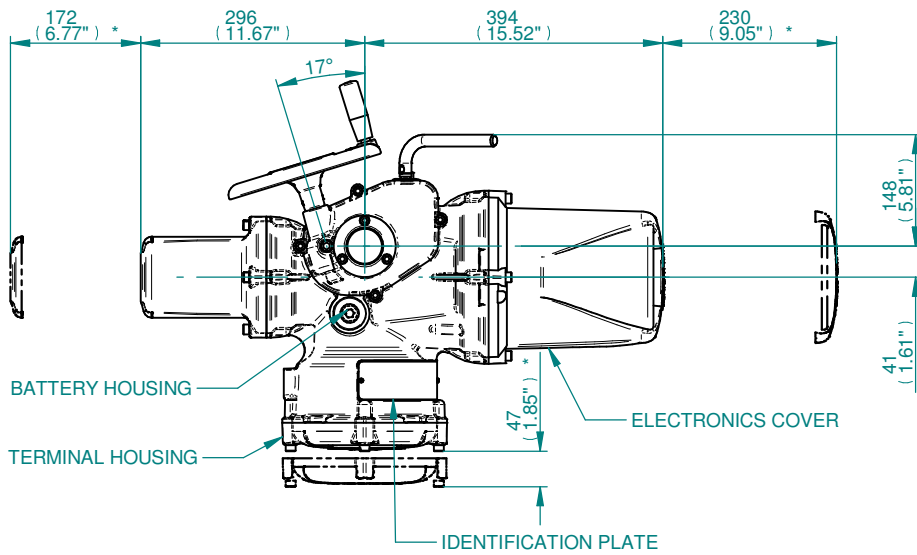
2

Scale

1:10

Sheet No

1 of 2



FA10 BASE DETAILS

NOTES

1. STANDARD 158mm STROKE SHOWN
2. ** REMOVAL ALLOWANCE REQUIRED