

CIRCUIT IS DRAWN FOR A VALVE IN THE FULLY CLOSED POSITION

WARNING

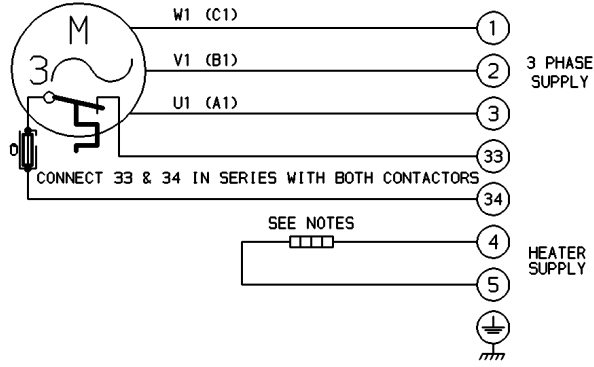
DO NOT RUN ACTUATOR TO LIMITS WITH INCORRECT PHASE ROTATION.

WHERE DISTANCES ARE GREAT BETWEEN ACTUATOR AND CONTROL GEAR, CABLE CAPACITANCE MAY CAUSE CONTACTORS TO STICK ON A.C. CIRCUITS

CONNECT OT/LS IN SERIES WITH OPEN CONTACTOR

CONNECT CT/LS IN SERIES WITH CLOSE CONTACTOR

THERMOSTAT RATING 70VA MAX



CIRCUIT DIAGRAM No - REV

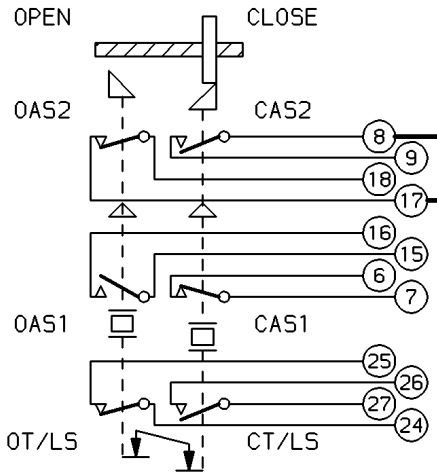
2220-00-03

O - OPEN
 C - CLOSE
 T/LS - TORQUE/LIMIT SWITCHES
 AS1 - AUXILIARY LIMIT SWITCHES
 MAKE CONTACT AT END OF TRAVEL
 AS2 - AUXILIARY LIMIT SWITCHES
 BREAK CONTACT AT END OF TRAVEL
 LINK SUPPLIED BY ROTORK
 WIRES ARE IDENTIFIED AT EACH END BY TERMINAL NUMBERS OR BY WIRE NUMBERS SHOWN.

CAUTION
 SOLID STATE LOGIC SYSTEMS USING ACTUATOR SWITCH SIGNAL INPUTS MUST BE DESIGNED TO PROVIDE A SWITCHING LOAD OF 1 WATT & 24V MINIMUM WITH A TIME CONSTANT NOT LESS THAN 10ms TO MINIMISE SENSITIVITY TO CONTACT VIBRATION.

12W (MAX) HEATER FITTED AS STANDARD. UNLESS OTHERWISE REQUESTED, HEATERS FITTED WILL BE :
 120V (2K OHM) FOR 60HZ SUPPLIES, OR
 240V (5.6K OHM) FOR 50HZ SUPPLIES.

THERMAL FUSE. ATEX APPROVED UNITS ONLY.



TORQUE AND LIMIT SWITCH OPERATION			
SWITCH	OPEN	INTER	SHUT
OT/LS			
CT/LS			
CAS1			
CAS2			
OAS1			
OAS2			

INDICATES SWITCH MADE

No	DATE	REVISION
1	20CT	REDRAWN ON CAD
2	FEB86	HEATER NOTE ADDED
03	Mar-03	ATEX THERMAL FUSE ADDED



ROTORK CONTROLS LTD
 BATH ENGLAND, BA1 3JQ.
 Phone 01225-733200

ROTORK CONTROLS INC
 ROCHESTER, NY 14624.
 tel (585) 328-1550

DRAWN BY K.S.
 DATE 19-8-85
 CHECKED A.S

SIMILAR TO .
 JOB No .
 M.I.No .

BASIC SYNCROSET

CIRCUIT DIAGRAM No -REV

2220-00-03