

CIRCUIT IS DRAWN FOR A VALVE IN THE FULLY CLOSED POSITION WITH POWER OFF.

CIRCUIT DIAGRAM No - REV

1610X00-04

TRANSFORMER TAPPING OPTIONS

Pt No 33653 (TYPE AA)

TAP	NOM 50/60HZ	50HZ	60HZ
W	220/230	176-242	198-259
X	380/400	304-418	342-446
Y	415/420	332-457	374-487
Z	440/460	352-484	396-517

FUSE QF2 - 250mA ANTI-SURGE

Pt No 33642 (TYPE BB)

TAP	NOM 50/60HZ	50HZ	60HZ
W	346/380	285-388	321-419
X	480/500	406-552	432-564
Y	240/240	192-261	216-282
Z*	550/575	445-605	501-654

FUSE QF2 - 250mA ANTI-SURGE
* 150mA ANTI-SURGE

Pt No 31836 (TYPE C)

TAP	NOM 50/60HZ	50HZ	60HZ
X	660/660	534-726	600-726

FUSE QF2 - 150mA ANTI-SURGE

ALL TRANSFORMER TYPES - QF4 500mA SLOW BLOW BE AS QF2.

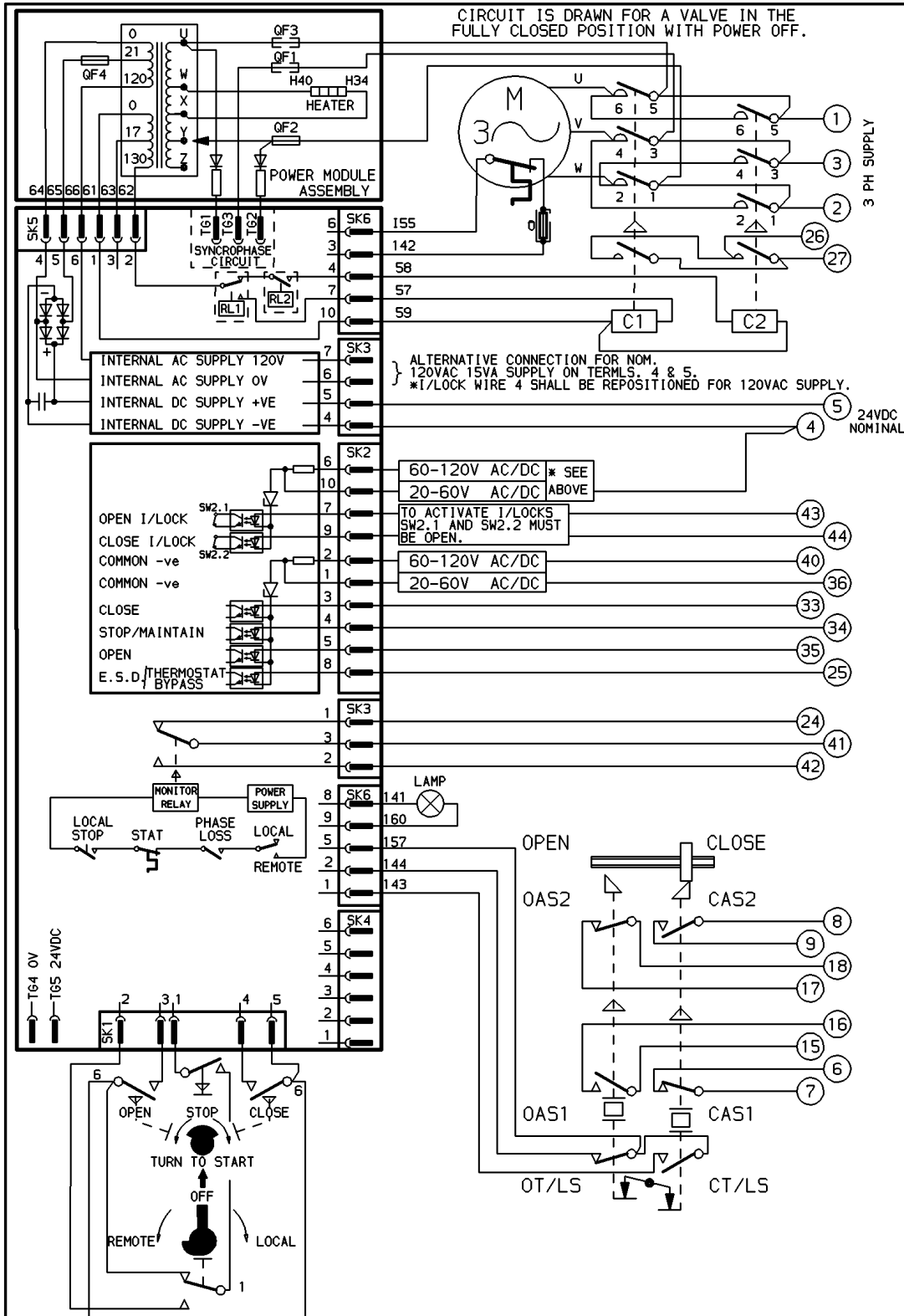
MAX EXTERNAL LOAD ON TERMINALS 4 & 5 TO BE 6VA.

- O - OPEN
- C - CLOSE
- C1 & C2 - CONTACTOR COILS.
- T/LS - TORQUE/LIMITSWITCH
- AS1 - AUXILIARY LIMIT SWITCH MAKE CONTACT AT END OF TRAVEL
- AS2 - AUXILIARY LIMIT SWITCH BREAK CONTACT AT END OF TRAVEL
- WIRES ARE IDENTIFIED AT EACH END BY TERMINATOR NO. OR BY WIRE NO. SHOWN
- FOR TYPICAL REMOTE CONTROL INDICATING, MONITORING AND ALARM CIRCUITS SEE PUBLICATION AE4/2
- CONTROL SIGNAL THRESHOLD VOLTAGES MAXIMUM 'OFF' 3V. MINIMUM CONTROL SIGNAL 300mS.
- E.S.D. CONTROL SIGNAL VOLTAGE MUST BE EQUAL TO OR GREATER THAN ALL OTHER CONTROL SIGNAL VOLTAGES.

TORQUE AND LIMIT SWITCH OPERATION			
SWITCH	OPEN	INTER	SHUT
OT/LS			
CT/LS			
CAS1			
CAS2			
OAS1			
OAS2			

INDICATES SWITCH MADE

THERMAL FUSE. ATEX APPROVED UNITS ONLY.



No	DATE	REVISION
01		New Release
02	160891	QF4 WAS 250mA ANTI-SURGE
03	171291	TRANSFORMER PT No REVISED.
04	151003	ATEX THERMAL FUSE ADDED



ROTORK CONTROLS LTD
BATH ENGLAND, BA1 3JQ.
Phone 01225-733200

ROTORK CONTROLS INC
ROCHESTER, NY 14624.
tel (716) 328-1550

DRAWN BY T.A
DATE 200291
CHECKED K.S

SIMILAR TO 1610X00
JOB No -
M.I.No .

1600 MK5

CIRCUIT DIAGRAM No -REV

1610X00-04