

CIRCUIT IS DRAWN FOR A VALVE IN THE FULLY CLOSED POSITION WITH POWER OFF.

CIRCUIT DIAGRAM No - REV

1611X60-03

TRANSFORMER TAPPING OPTIONS

Pt No 33653 (TYPE AA)

TAP	NOM 50/60HZ	50HZ	60HZ
W	220/230	176-242	198-259
X	380/400	304-418	342-446
Y	415/420	332-457	374-487
Z	440/460	352-484	396-517

FUSE QF2 - 250mA ANTI-SURGE

Pt No 33642 (TYPE BB)

TAP	NOM 50/60HZ	50HZ	60HZ
W	346/380	285-388	321-419
X	480/500	406-552	432-564
Y	240/240	192-261	216-282
Z*	550/575	445-605	501-654

FUSE QF2 - 250mA ANTI-SURGE
* 150mA ANTI-SURGE

Pt No 31836 (TYPE C)

TAP	NOM 50/60HZ	50HZ	60HZ
X	660/660	534-726	600-726

FUSE QF2 - 150mA ANTI-SURGE

ALL TRANSFORMER TYPES - QF4 500mA SLOW BLOW
WHEN FITTED QF1 AND QF3 WILL BE AS QF2.

MAX EXTERNAL LOAD ON TERMINALS 4 & 5 TO BE 6VA.

- 0 - OPEN
- C - CLOSE
- C1 & C2 - CONTACTOR COILS.
- T/LS - TORQUE/LIMITSWITCH
- AS1 - AUXILIARY LIMIT SWITCH MAKE CONTACT AT END OF TRAVEL
- AS2 - AUXILIARY LIMIT SWITCH BREAK CONTACT AT END OF TRAVEL
- WIRES ARE IDENTIFIED AT EACH END BY TERMINAL No. OR BY WIRE No. SHOWN
- FOR TYPICAL REMOTE CONTROL INDICATING, MONITORING AND ALARM CIRCUITS SEE PUBLICATION AE4/2
- CONTROL SIGNAL THRESHOLD VOLTAGES MAXIMUM 'OFF' 3V.
- MINIMUM CONTROL SIGNAL 300ms.
- E.S.D. CONTROL SIGNAL VOLTAGE MUST BE EQUAL TO OR GREATER THAN ALL OTHER CONTROL SIGNAL VOLTAGES.

THERMAL FUSE ATEX APPROVED UNITS ONLY.

TORQUE AND LIMIT SWITCH OPERATION			
SWITCH	OPEN	INTER	SHUT
OT/LS			
CT/LS			
CAS1			
CAS2			
OAS1			
OAS2			

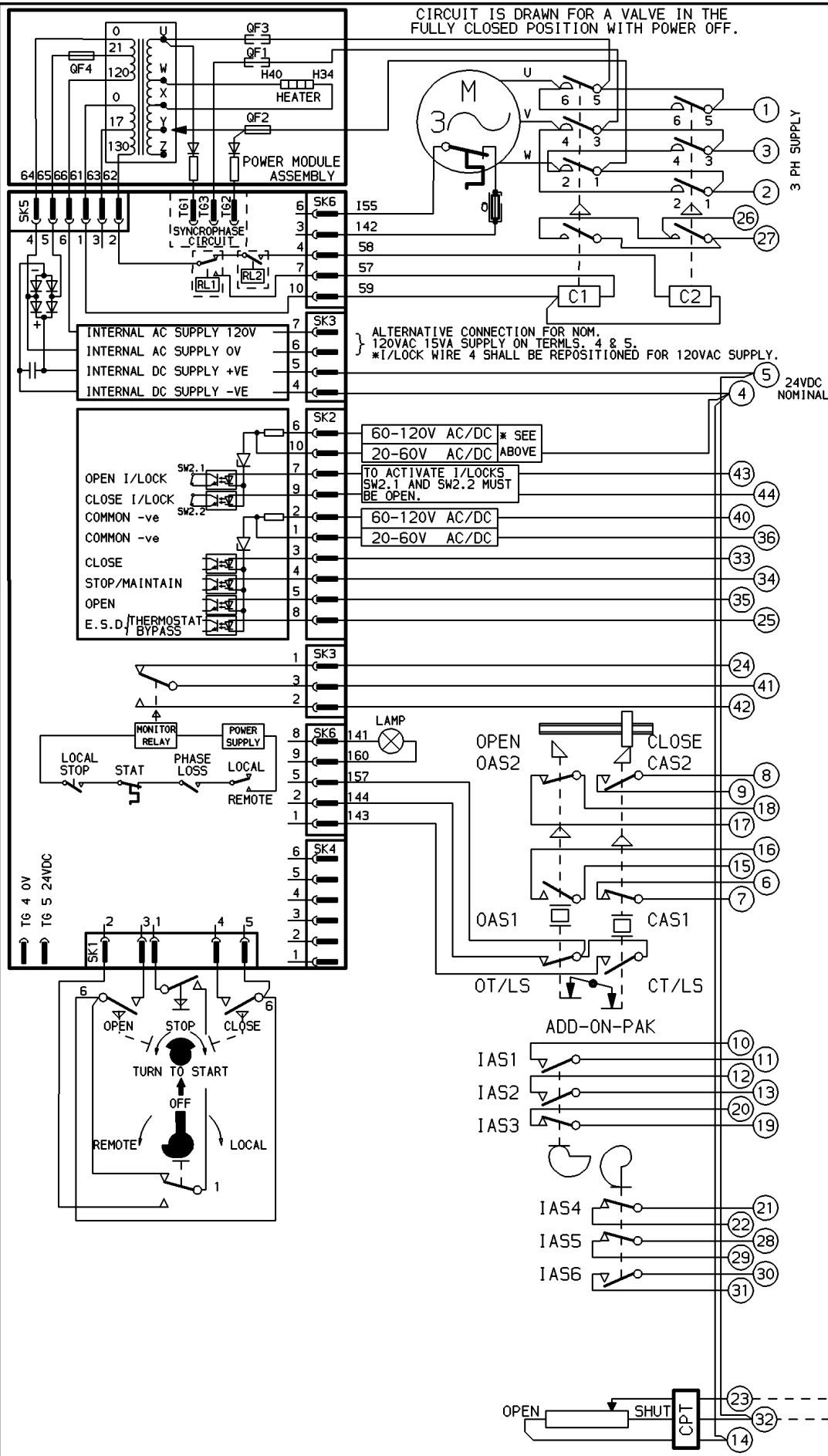
ADD ON PAK 1 SWITCH OPERATION

SWITCH	OPEN	INTER	SHUT
IAS1			
IAS2			
IAS3			
IAS4			
IAS5			
IAS6			

INDICATES SWITCH MADE

IAS1/2/3 - ADJUSTABLE TO OPERATE TOGETHER AT ANY POSITION (DRAWN AS FOR EXTRA OPEN AUXILIARY)
IAS4/5/6 - ADJUSTABLE TO OPERATE TOGETHER AT ANY POSITION (DRAWN AS FOR EXTRA CLOSE AUXILIARY)
IAS 1 TO 6 INTERMEDIATE AUXILIARY SWITCHES, CONTACT FUNCTIONS MAY BE REVERSED BY SETTING CAM TO RELEASE INSTEAD OF DEPRESS SWITCH AS ILLUSTRATED

FOR CPT DETAILS SEE ROTORK PUBLICATION AE4/1



No	DATE	REVISION
03	290704 P. J. W	ATEX THERMAL FUSE ADDED. CHECKED D. A



ROTORK CONTROLS LTD
BATH ENGLAND, BA1 3JQ.
Phone 01225-733200
ROTORK CONTROLS INC
ROCHESTER, NY 14624.
tel (716) 328-1550

DRAWN BY T. A
DATE 100891
CHECKED K. S
SIMILAR TO 1611X60
JOB No -
M.I. No .

1600 MK5 + AOP1 +
INT PWR CPT.
CIRCUIT DIAGRAM No -REV
1611X60-03