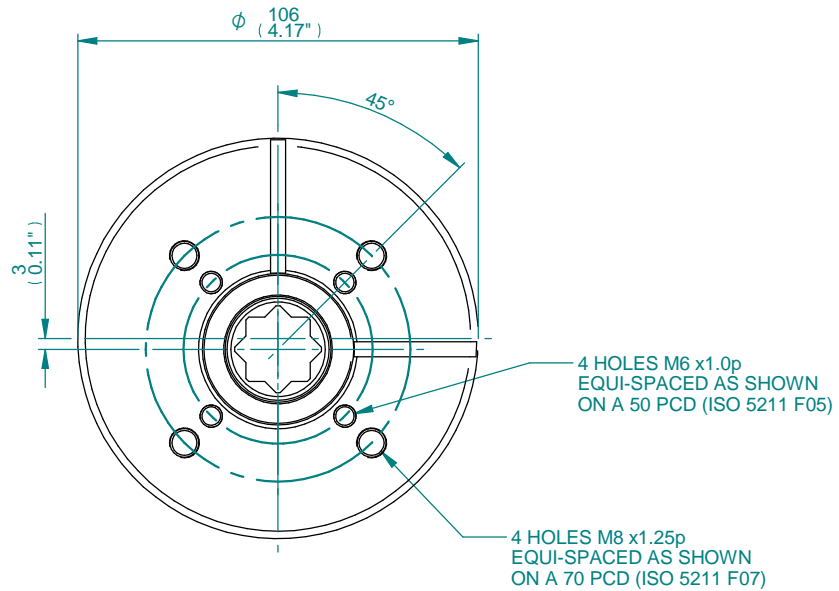
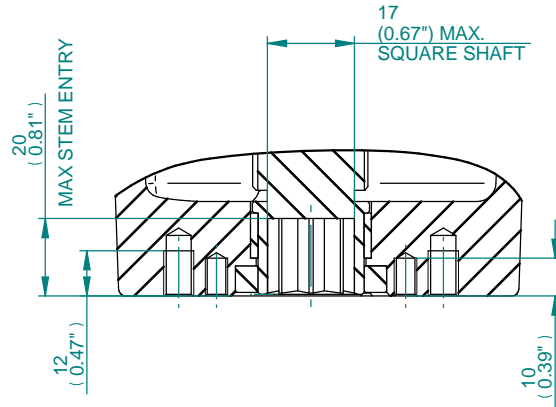


NOTES

*Removal allowance required.



ROM-A F05/F07 Mounting Base Details