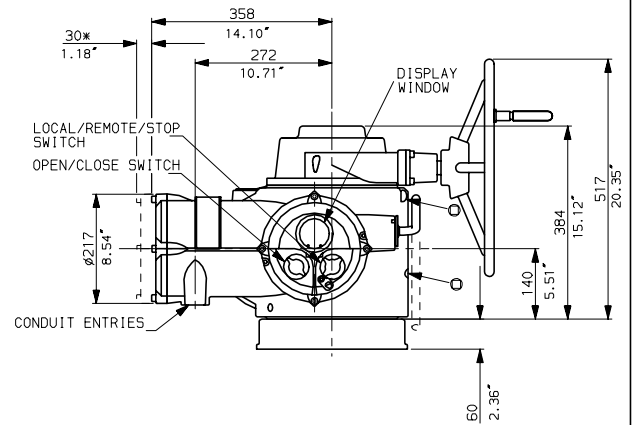
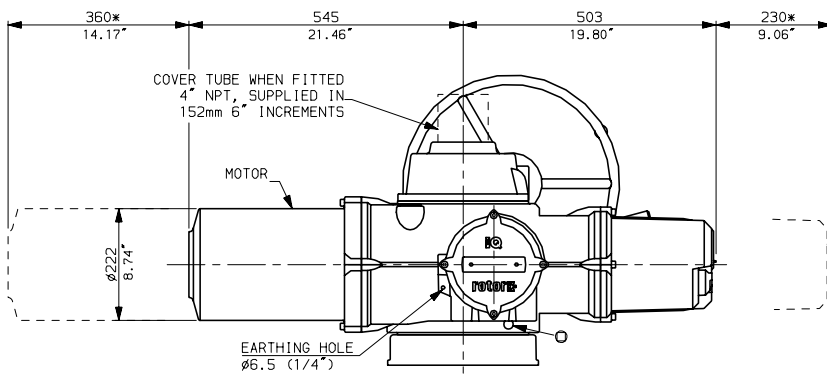
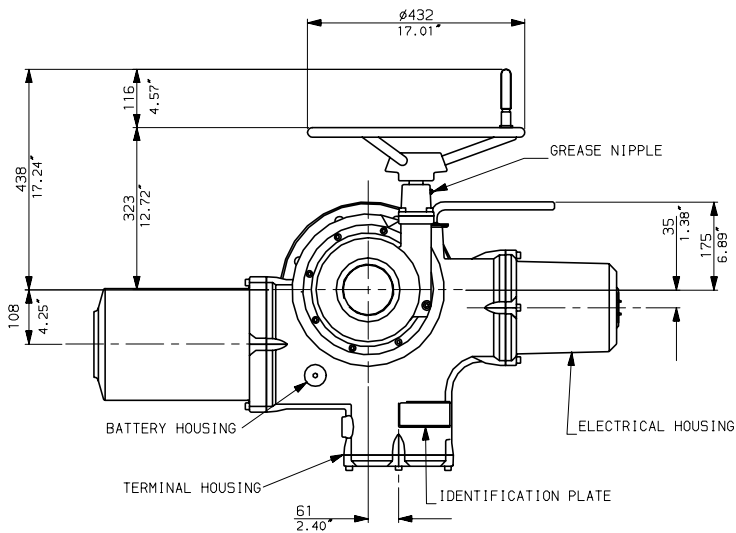


IQ91 BASES

IQ95 BASES

**rotork** Rotork Controls Ltd.  
Bath, England BA1 3JG  
Bath (01225) 733200  
IQ91+95 BASE+COUPL  
Date 010204 Scale 1:8

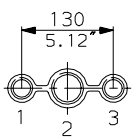
# IQ91 WITH SIDE HANDWHEEL



### NOTES

F25 B3/B4 and FA25 B3/B4 Bases (Non-Thrust) are detailed to suit the relevant Coupling arrangement available for IQ91.

### CONDUIT ENTRIES



Nos.1 & 3 TAPPED 1" NPT  
 No.2 TAPPED 1 1/2" NPT  
 STANDARD ALTERNATIVES IF SPECIFIED  
 2 X M25, 1 X M40  
 2 X PG16, 1 X PG29

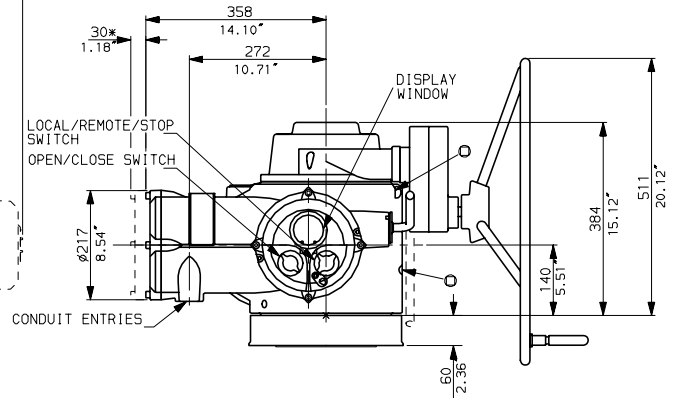
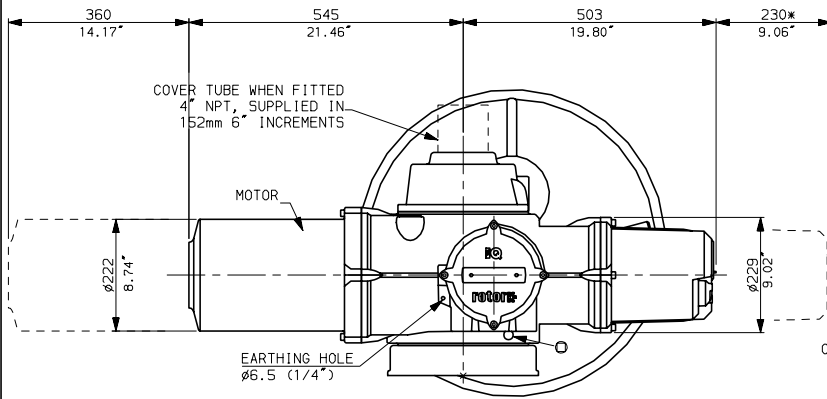
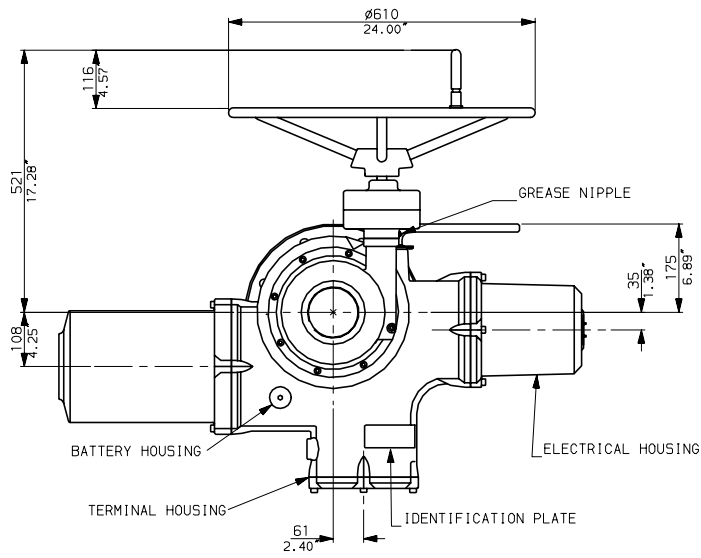
**rotork**

IQ91 (SHW) DATA

Date 020401

Scale 1:15

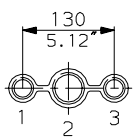
IQ91 WITH OPTIONAL  
SPURRED SIDE HANDWHEEL



NOTES

F25 B3/B4 and FA25 B3/B4 Bases (Non-Thrust) are detailed to suit the relevant Coupling arrangement available for IQ91.

CONDUIT ENTRIES



Nos.1 & 3 TAPPED 1" NPT  
 No.2 TAPPED 1 1/2" NPT  
 STANDARD ALTERNATIVES IF SPECIFIED  
 2 X M25, 1 X M40  
 2 X PG16, 1 X PG29

**rotork**

IQ91 (SSH) DATA

Date 020401

Scale 1:15