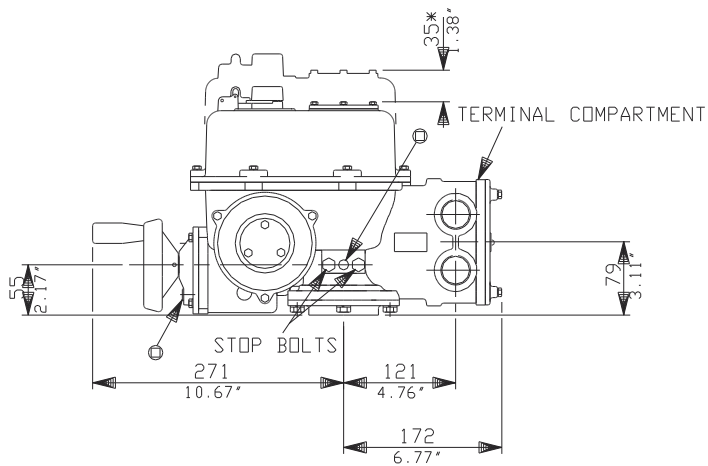
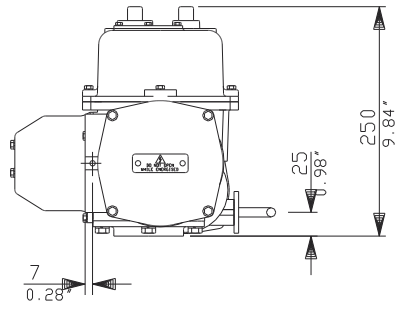


PUSHBUTTON/SELECTOR ASSEMBLY

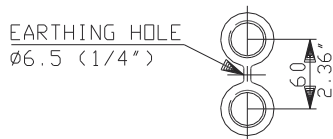


TERMINAL COMPARTMENT

STOP BOLTS



CONDUIT ENTRIES (N.T.S)



TAPPED 2 X M32
 STANDARD ALTERNATIVES IF SPECIFIED
 2 X 1 1/4" NPT
 2 X PG21

rotork	Rotork Controls Ltd. Bath, England BA1 3JD Bath (01225)733200
	Q100 DATA
	Date 141097