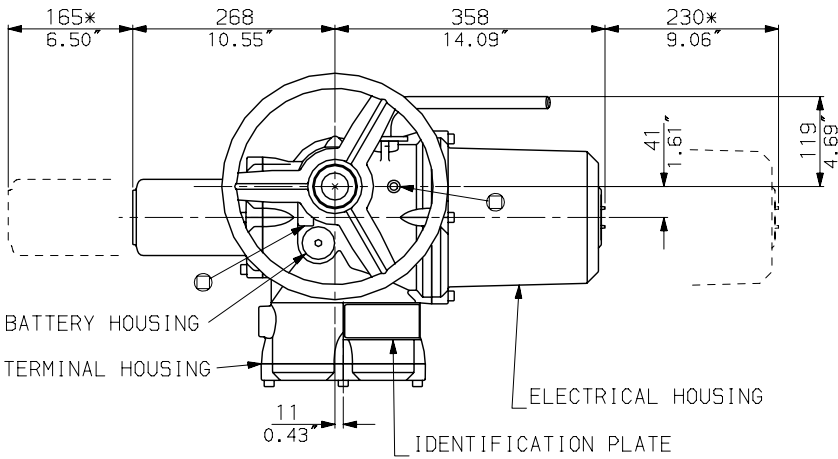
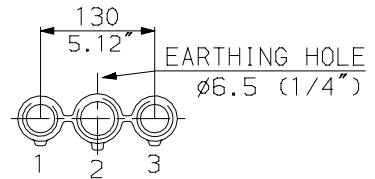


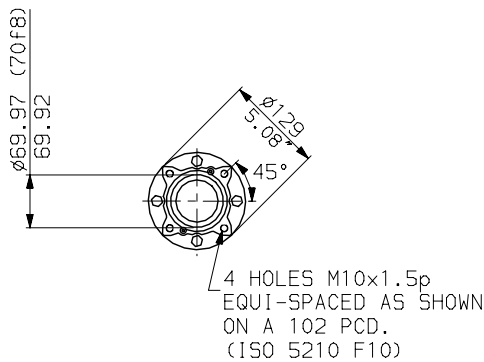
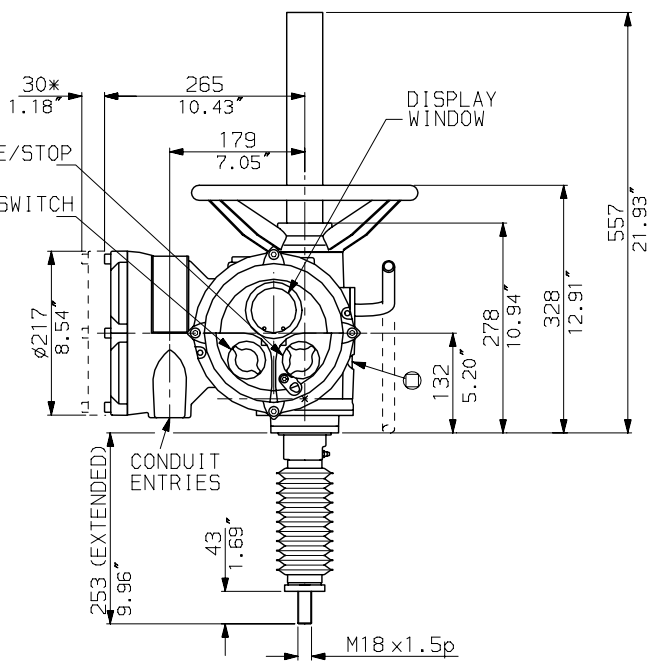
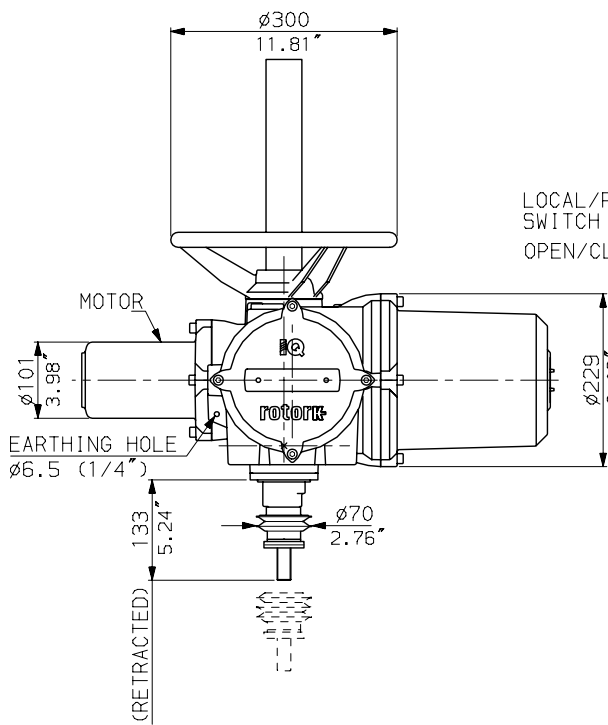
IQML10-12 WITH
TOP HANDWHEEL



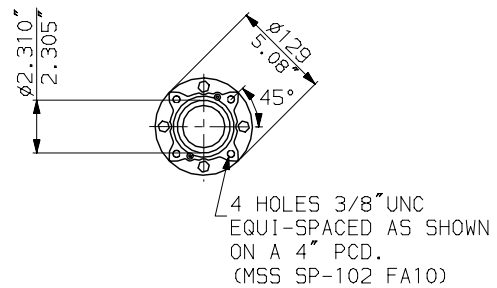
CONDUIT ENTRIES (N.T.S)



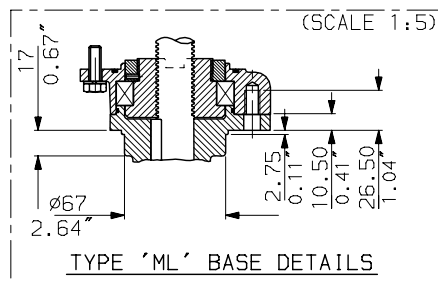
Nos.1 & 3 TAPPED 1" NPT
No.2 TAPPED 1 1/2" NPT
STANDARD ALTERNATIVES IF SPECIFIED
2 X M25, 1 X M40
2 X PG16, 1 X PG29



F10 BASE DETAILS



FA10 BASE DETAILS

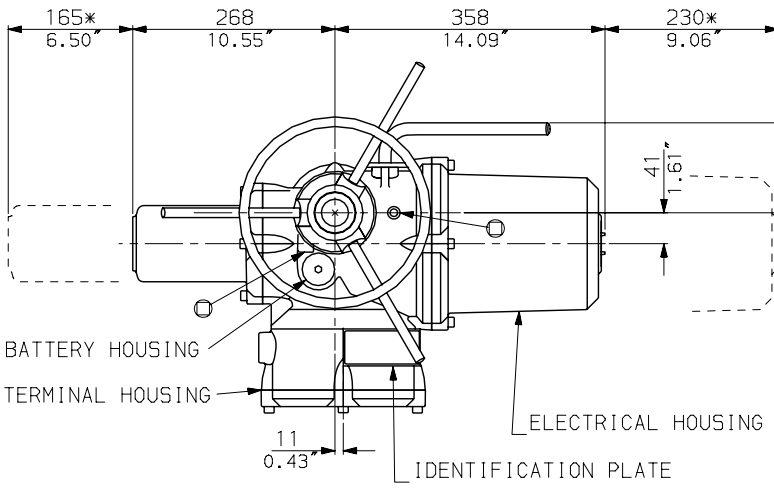


TYPE 'ML' BASE DETAILS

www.rotork.com

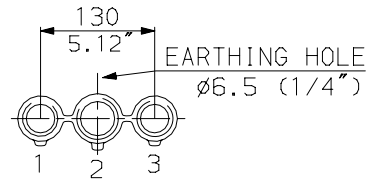
IQML10 (THW) DATA

Date 040510 Scale 1:10

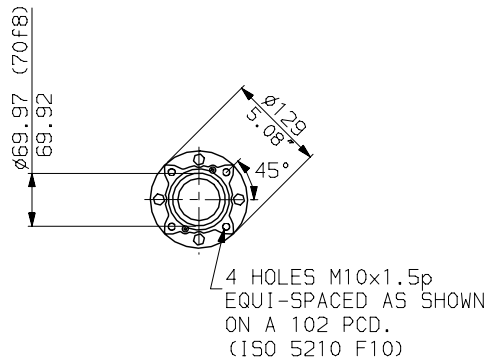
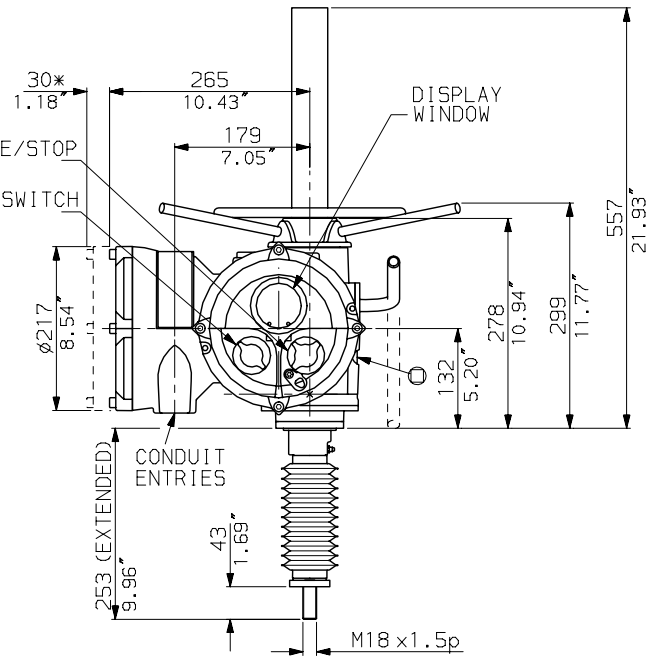
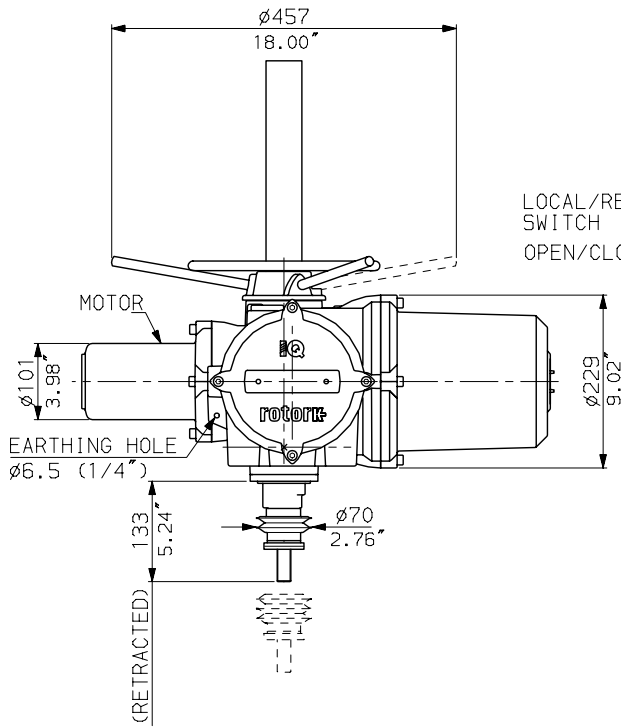


IQML10-12 WITH OPTIONAL
LARGE TOP HANDWHEEL

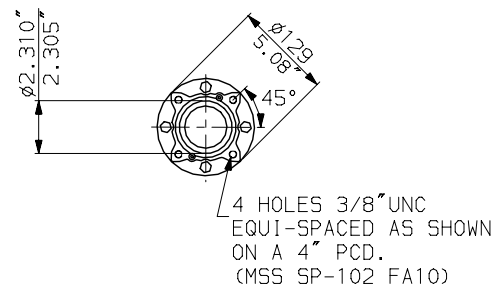
CONDUIT ENTRIES (N.T.S)



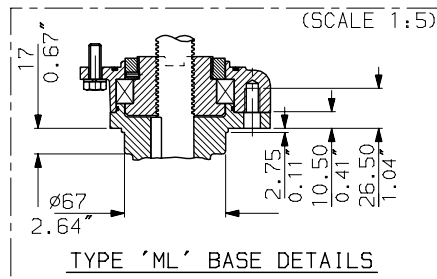
Nos.1 & 3 TAPPED 1" NPT
No.2 TAPPED 1 1/2" NPT
STANDARD ALTERNATIVES IF SPECIFIED
2 X M25, 1 X M40
2 X PG16, 1 X PG29



F10 BASE DETAILS



FA10 BASE DETAILS

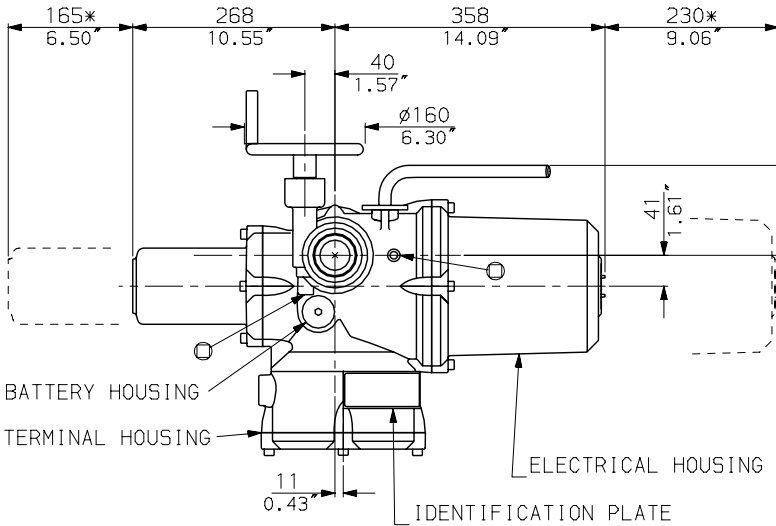


www.rotork.com

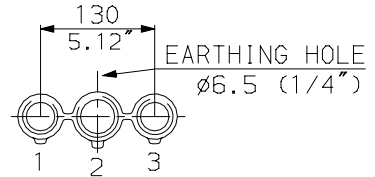
IQML10(LTHW) DATA

Date 040510 Scale 1:10

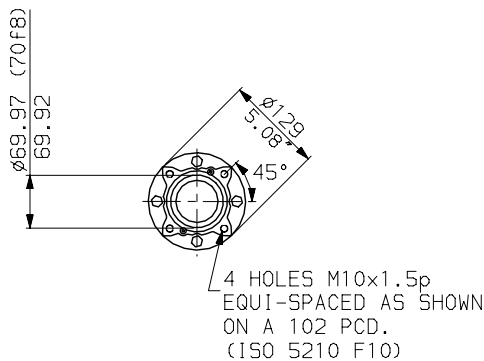
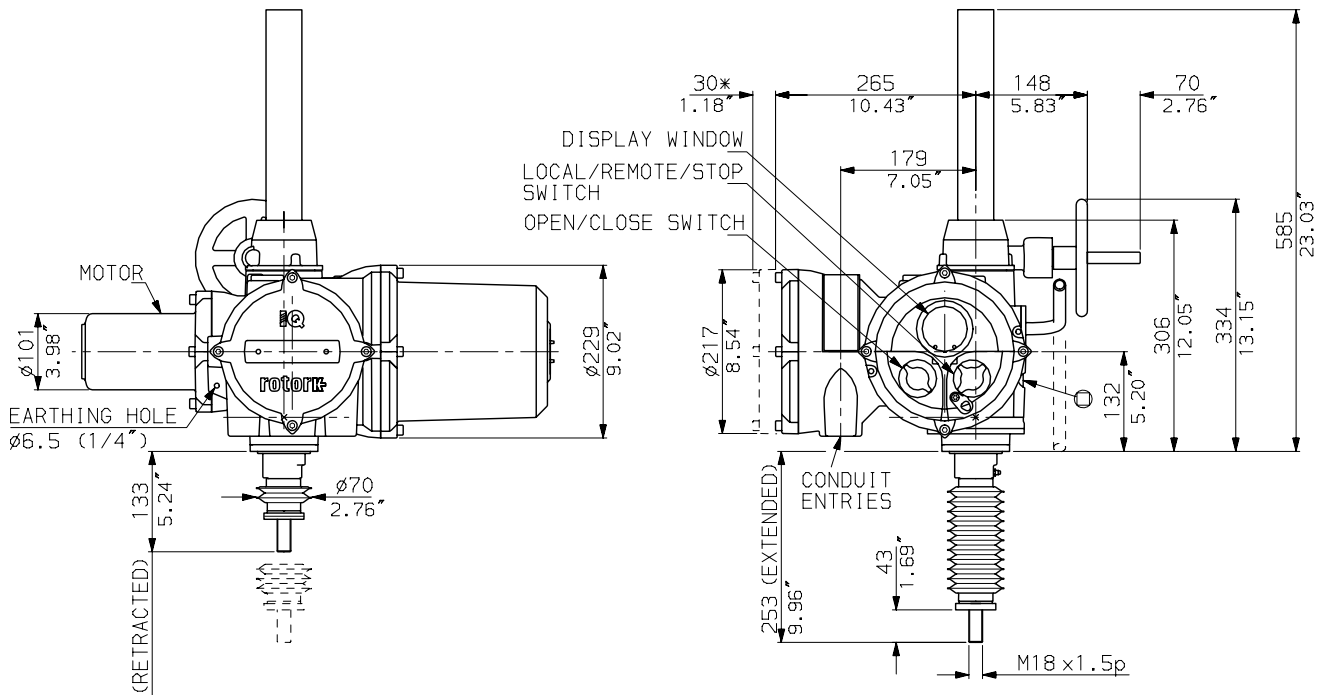
IQML10-12 WITH OPTIONAL
SIDE HANDWHEEL



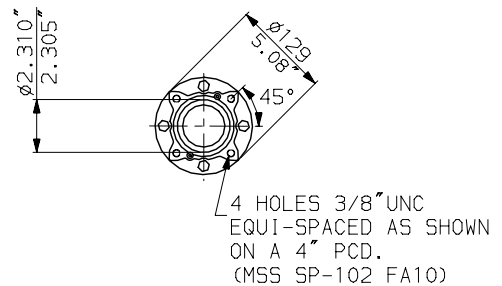
CONDUIT ENTRIES (N.T.S)



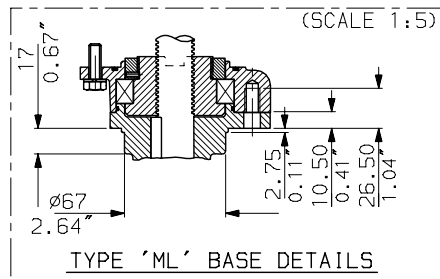
Nos.1 & 3 TAPPED 1" NPT
 No.2 TAPPED 1 1/2" NPT
 STANDARD ALTERNATIVES IF SPECIFIED
 2 X M25, 1 X M40
 2 X PG16, 1 X PG29



F10 BASE DETAILS



FA10 BASE DETAILS



TYPE 'ML' BASE DETAILS

www.rotork.com

IQML10(SHW) DATA

Date 040510 Scale 1:10