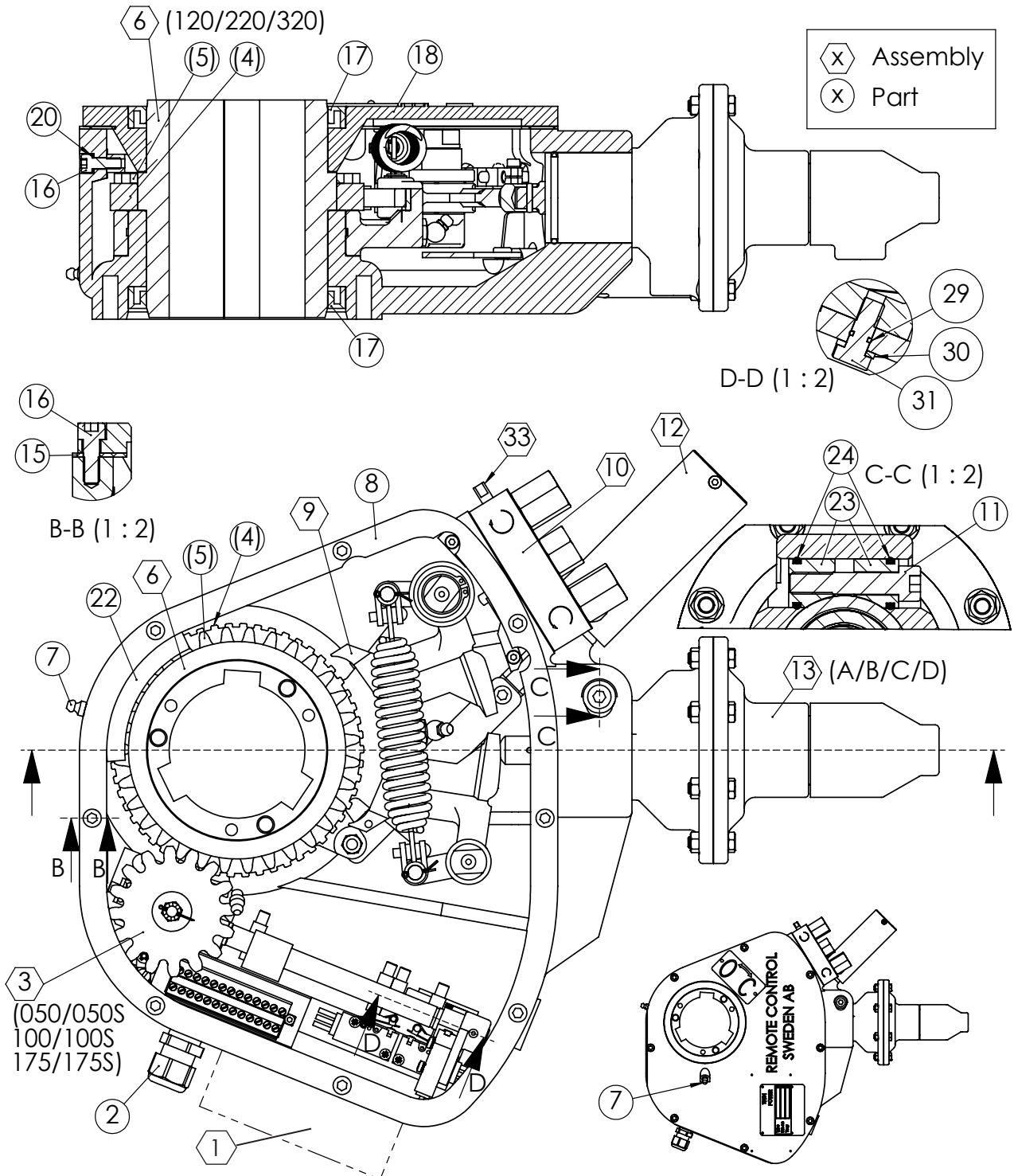


# Twin Power

Pneumatic multi-turn actuators for all types of valves

Spare part list **GDS1:1** - Actuator type 114



Draw.No. 004573

**MANÖVERDON - CONTROL DEVICE - STEUERGERÄT - ACTIONNEUR  
TWIN POWER TYPE 114 STANDARD**

| Det. No | Art. No | Qty | Benämning            | Denomination            | Bezeichnung              | Designation              |
|---------|---------|-----|----------------------|-------------------------|--------------------------|--------------------------|
| 1       |         |     | Kopplingsbox         | Junction box            | Klemmenkasten            | Boîte de jonction        |
| 2       |         |     | Kabelgenomföring     | Cable entry             | Kabeldurchführung        | De câble traversée       |
| 3       | 402043  | 1   | Ind brygga 050       | Ind. bridge 050         | Ind. Brücke 050          | Pont d'indicateur 050    |
| 3       | 402045  | 1   | Ind brygga 100       | Ind. bridge 100         | Ind. Brücke 100          | Pont d'indicateur 100    |
| 3       | 402047  | 1   | Ind brygga 175       | Ind. bridge 175         | Ind. Brücke 175          | Pont d'indicateur 175    |
| 3       | 402044  | 1   | Ind brygga 050S      | Ind. bridge 050S        | Ind. Brücke 050S         | Pont d'indicateur 050S   |
| 3       | 402046  | 1   | Ind brygga 100S      | Ind. bridge 100S        | Ind. Brücke 100S         | Pont d'indicateur 100S   |
| 3       | 402048  | 1   | Ind brygga 175S      | Ind. bridge 175S        | Ind. Brücke 175S         | Pont d'indicateur 175S   |
| 4       |         | 1   | Tandkrans            | Toothed rim             | Zahnkranz                | Couronne dentée          |
| 5       |         | 1   | Kuggkrans            | Gear rim                | Drehkranz                | Couronne dentée          |
| 6       | 402223  | 1   | Nav 120 (pos 4+5+6)  | Hub 120 (pos 4+5+6)     | Nabe 120 (pos 4+5+6)     | Moyeu 120 (pos 4+5+6)    |
| 6       | 402225  | 1   | Nav 220 (pos 4+5+6)  | Hub 220 (pos 4+5+6)     | Nabe 220 (pos 4+5+6)     | Moyeu 220 (pos 4+5+6)    |
| 6       | 402227  | 1   | Nav 320 (pos 4+5+6)  | Hub 320 (pos 4+5+6)     | Nabe 320 (pos 4+5+6)     | Moyeu 320 (pos 4+5+6)    |
| 7       | 401211  | 2   | Smörjnippel          | Lubrication nipples     | Schmiernippel            | Raccord pour lubricateur |
| 8       | 401204  | 1   | Hus                  | Casing                  | Gehäuse                  | Enveloppe                |
| 9       | 402108  | 1   | Konsol komplett      | Console complete        | Konsole komplett         | Consolle complet         |
| 10*     | 402274  | 1   | Styrventil           | Steering valve          | Steuerventil             | Soupape de manœuvre      |
| 11      | 401216  | 1   | Skruv                | Screw                   | Schraube                 | Vis                      |
| 12*     | 402004  | 1   | Manövercylinder      | Operating cylinder      | Betätigungszyylinder     | Cylindre de controle     |
| 13      | 402135  | 1   | Membranmotor A       | Diaphragm motor A       | Membranmotor A           | Moteur membrane A        |
| 13      | 402145  | 1   | Membranmotor B       | Diaphragm motor B       | Membranmotor B           | Moteur membrane B        |
| 13      | 402155  | 1   | Membranmotor C       | Diaphragm motor C       | Membranmotor C           | Moteur membrane C        |
| 13      | 402165  | 1   | Membranmotor D       | Diaphragm motor D       | Membranmotor D           | Moteur membrane D        |
| 15*     | 401229  | 1   | Lockpackning         | Cover stuffing          | Deckelpackung            | Garniture de couvercle   |
| 16      | 161130  | 10  | Skruv                | Screw                   | Schraube                 | Vis                      |
| 17*     | 401201  | 2   | Tättningsring        | Packing ring            | Dichtungsring            | Bagues de garniture      |
| 18      | 401205  | 1   | Lock                 | Cover                   | Deckel                   | Couvercle                |
| 20*     | 401232  | 2   | Kopparbricka         | Copper washer           | Kupferteller             | Rondelle de cuivre       |
| 22      | 402286  | 1   | Klack                | Catch                   | Nase                     | Loquet d'arrêt           |
| 23      | 402271  | 1   | Spännback (1)        | Clip plate (1)          | Spannbacke (1)           | Couronne (1)             |
| 23      | 402273  | 1   | Spännback (2) gängad | Clip plate (2) threaded | Spannbacke (2) m.Gewinde | Couronne (2) fileté      |
| 24*     | 401218  | 2   | O-ring               | O-ring                  | O-ring                   | Joint torique            |
| 29*     | 401055  | 2   | O-ring               | O-ring                  | O-ring                   | Joint torique            |
| 30      | 401081  | 2   | Fjäderbricka         | Spring washer           | Unterlagscheibe          | Disque de ressort        |
| 31      | 402509  | 2   | Skruv                | Screw                   | Schraube                 | Vis                      |
| 33      | 402622  | 1   | Rörsats              | Tube kit                | Rohrsatz                 | Faisceau de tubes        |

Art. No. 402654 Packing set, casing.

\*) = soft parts for det. no. 10, 12, 15, 17, 20, 24 and 29 included in packing set.

