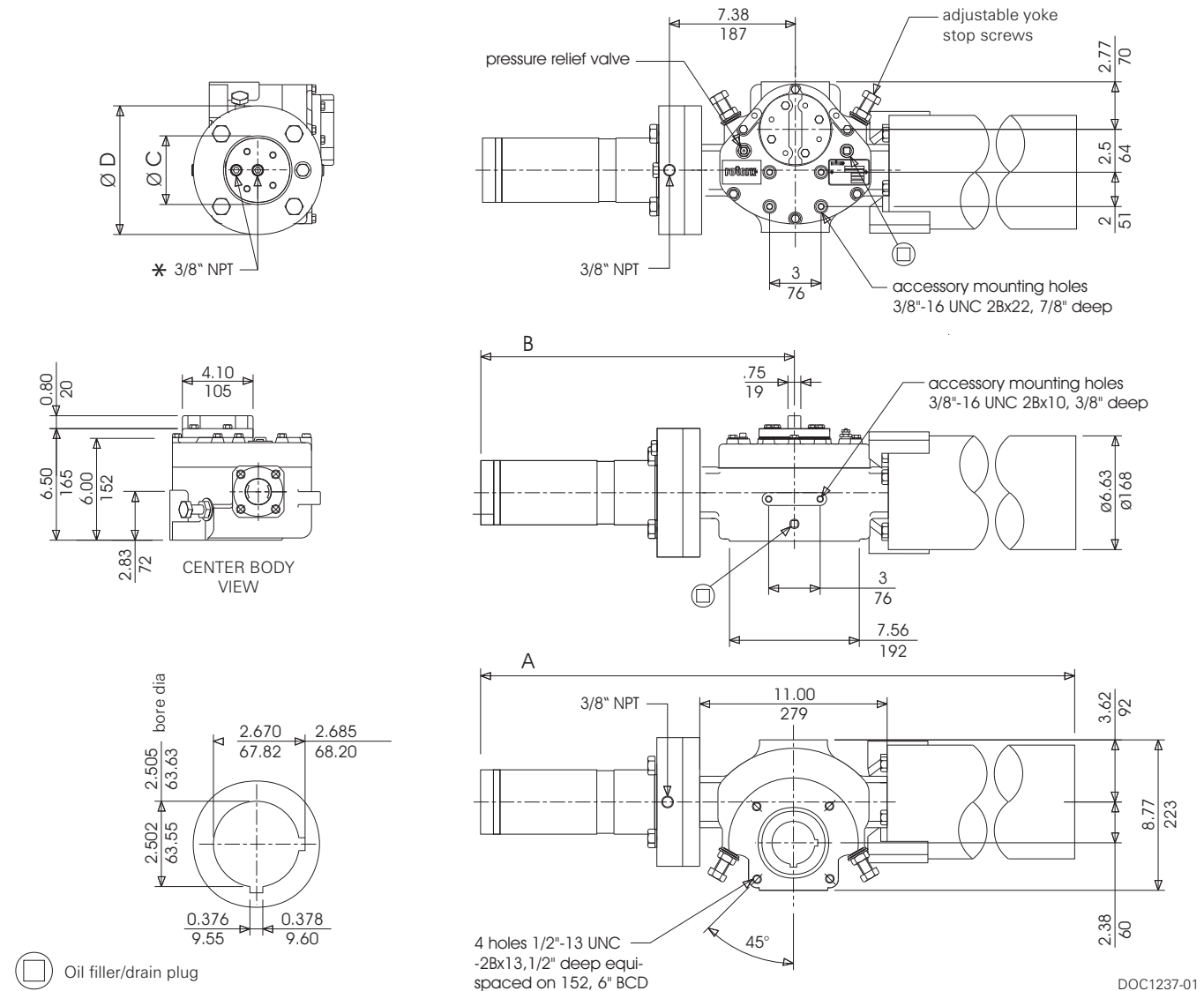


Dimension data H Range hydraulic actuator 250 spring-return



Actuator size	Dimension ins/mm						B	C	D
	A								
	PSI (operating pressure)								
	500	1000	1500	2000	2500	3000			
250 01	41.7/1059	41.7/1059	36.7/932	36.7/932	41.7/1059	41.7/1059	13.2/335	1.8/46	3.8/97
250 02	43.8/1113	45.8/1163	47.8/1214	48.9/1240	54.8/1392	54.8/1392	18.3/465	2.8/71	7.5/191
250 03	45.8/1163	48.8/1240	54.8/1392	54.8/1392	---	---	18.3/465	3.8/97	7.5/191

Actuator size	Weights lbs/kg						Swept Volume US gal/liters
	PSI (operating pressure)						
	500	1000	1500	2000	2500	3000	
250 01	115/52	115/52	110/50	113/51	122/55	126/57	0.03/0.10
250 02	146/66	157/71	170/77	175/79	189/86	197/89	0.08/0.31
250 03	166/75	186/84	201/91	208/94	---	---	0.17/0.65

* Note: 250 01 cylinders have only one NPT port. This port is located in the center of the end cap.