

Pakscan Mains and Loop Isolator Unit Pakbox Mounted (FLP-PB1)

rotork®
Controls

Publication: PUB059-014-00
Date of issue: 11/16
Page 1 of 4

GENERAL DESCRIPTION

The FLP-PB1 has been designed for use with electric actuators requiring isolation of power and looped data highway connections without disturbing the continuity of the data highway. It is ideally suited to use on the Pakscan 2 wire system where maintaining loop continuity is important when an actuator is out of service.

The action of turning the isolator handle to the “off” position simultaneously isolates the power and data highway from the actuator while bridging the data highway to maintain loop continuity. Suitable for use on any data highway the FLP-PB1 ensures system integrity at all times.

A padlocking facility is provided for securing the isolator handle in either the “on” or “off” position to further increase plant safety.

The FLP-PB1 is manufactured in cast aluminium and includes fixtures for use in mounting the Pakbox on either a wall or pipe bracket. Cable gland access is allowed for on three sides and the maximum cable gland size permitted is 40 mm.

The FLP-PB1 assembly is certified for use in a Hazardous area and may therefore be placed close to the actuator.

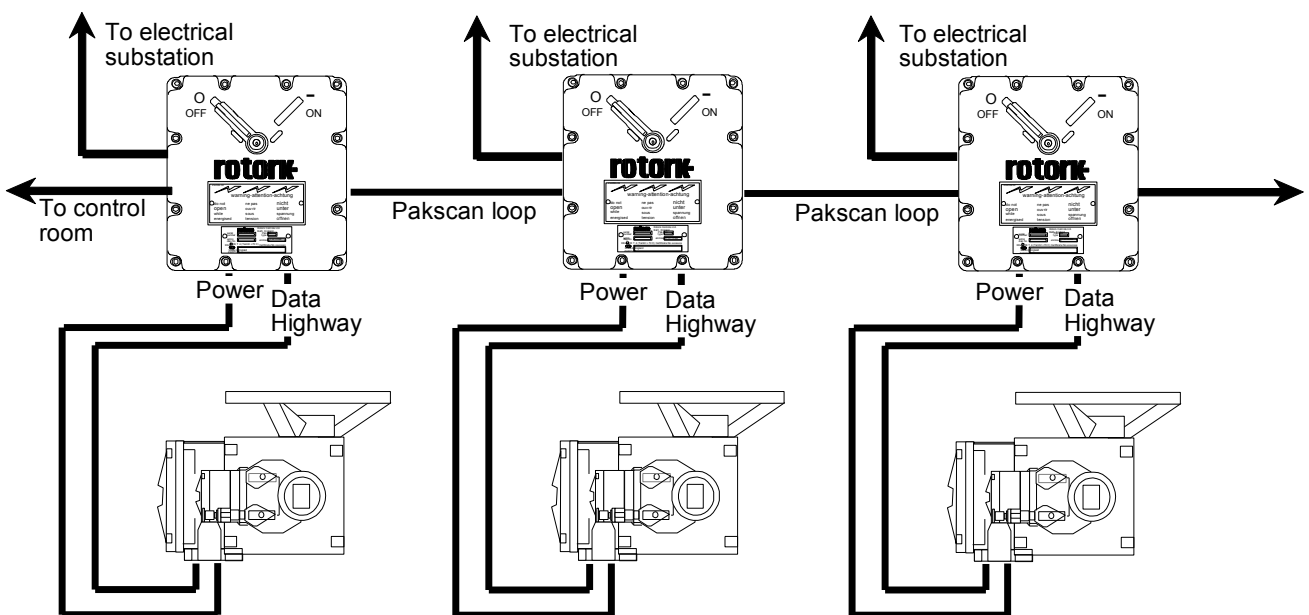


Fig 1: Schematic details

Pakscan

Mains and Loop Isolator Unit

Pakbox Mounted (FLP-PB1)

rotork[®]
Controls

Publication: PUB059-014-00
Date of issue: 11/16
Page 2 of 4

MECHANICAL DESCRIPTION

Enclosure

Cast aluminium (BS1490, LM 25) with Rotork standard grey paint finish, BS4800-00A13, suitable for wall mounting using fixing plates or alternately with clamps for 2" pipe mounting. Weatherproof to IEC 529, IP68.

Approvals

Hazardous area approval to EC directive 94/9/EC EN50018 EExd. IIBT4.

Alternative Approvals

Factory Mutual approval:

Class 1 - Groups C and D division 1 locations according to NEC Article 500.

CSA Hazardous approval:

Class 1 - Group C & D

Class 2 - Group E, F & G

Power Isolator

Load Break Switch Rating

AC-3	230/240V	5.5kW
	400/415V	11kW
	500V	15kW
	690V	11kW

UL and CSA approved

Data Highway Switching Contacts

Make before break to ensure continuity of the data highway.

Contact material: Nickel Silver

Minimum ratings: 10 mA min or 17 V min

Terminals

TS35 DIN rail mounted cage clamp terminals:

Power - 6 off to accept 0.2 to 16mm² conductors,

Control - 8 off to accept 0.08 to 1.5mm² conductors.

Earth - 2 off internal to accept 0.2 to 16mm² conductors and 1 off external 6mm diameter tapped hole.

TS35 DIN rail mounted screw terminals:

Switched Supply – 3 off to accept 6 to 10mm² stranded or solid conductors

Conduit entries

A,B,C, & D = 4 off max. 40mm, 1.5" ASA/NPT or PG29

E to Y = 20 off max 20mm, 0.75" ASA/NPT or PG13.5.

See installation drawings overleaf for cable entry locations according to size

Environmental specification

Operating temperature, -30° to +70°C

Storage temperature, -50° to +85°C

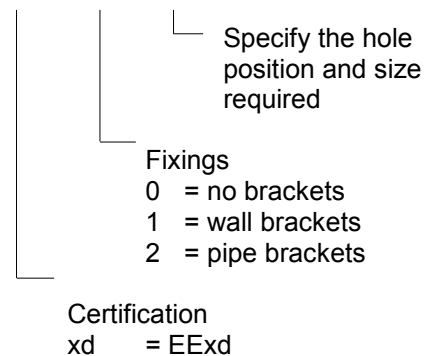
Humidity, 5% to 95% R.H. non-condensing

Vibration, 0.75g (0.5Hz to 300Hz)

Ordering Details

With all orders it is necessary to specify the enclosure approval required, the FLP-PB1 mounting arrangement and the conduit entry holes to be drilled together with their size. Five holes are included in the basic price and additional holes are extra.

FLP - PB1 - XXX - X - XXXXX



Example:

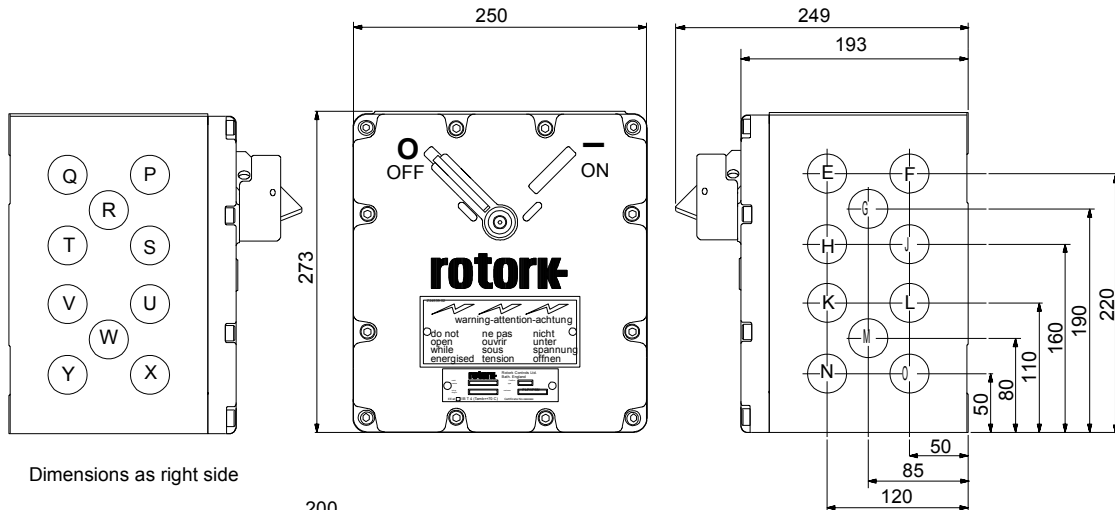
FLP-PB1- xd - 1 - A 20, B 20, C 15, N 15, P 15

EExd certified, supplied with wall brackets, holes drilled for conduits - A and B 20 mm, C N and P 15 mm.

Pakscan Mains and Loop Isolator Unit Pakbox Mounted (FLP-PB1)

rotork® Controls

Publication: PUB059-014-00
Date of issue: 11/16
Page 3 of 4

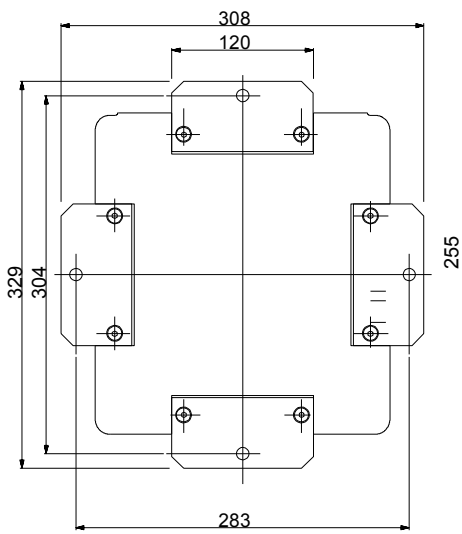


MAXIMUM CONDUIT ENTRY SIZES

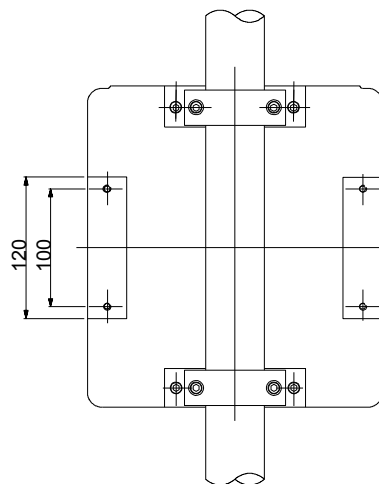
LOCATION	mm	ASA/NPT	PG
A,B,C,D.	40.00	1.5"	29
E,F,G,H,J, K,L,M,N,O, P,Q,R,S,T, U,V,W,X,Y.	20.00	0.75"	13.5

Fig 2: Dimensional details

APPROXIMATE WEIGHT = 16kg



WALL MOUNTING
2 OR 4 OFF BRACKETS 39983
SUITABLE FOR USE WITH 10 mm Dia. FASTENERS.



PIPE MOUNTING
STAUFF GROUP 6 CLAMPS
SUITABLE FOR USE WITH 1.75" TO 2.0" Dia PIPE.

Pakscan
Mains and Loop Isolator Unit
Pakbox Mounted (FLP-PB1)

rotork®
Controls

Publication: PUB059-014-00
 Date of issue: 11/16
 Page 4 of 4

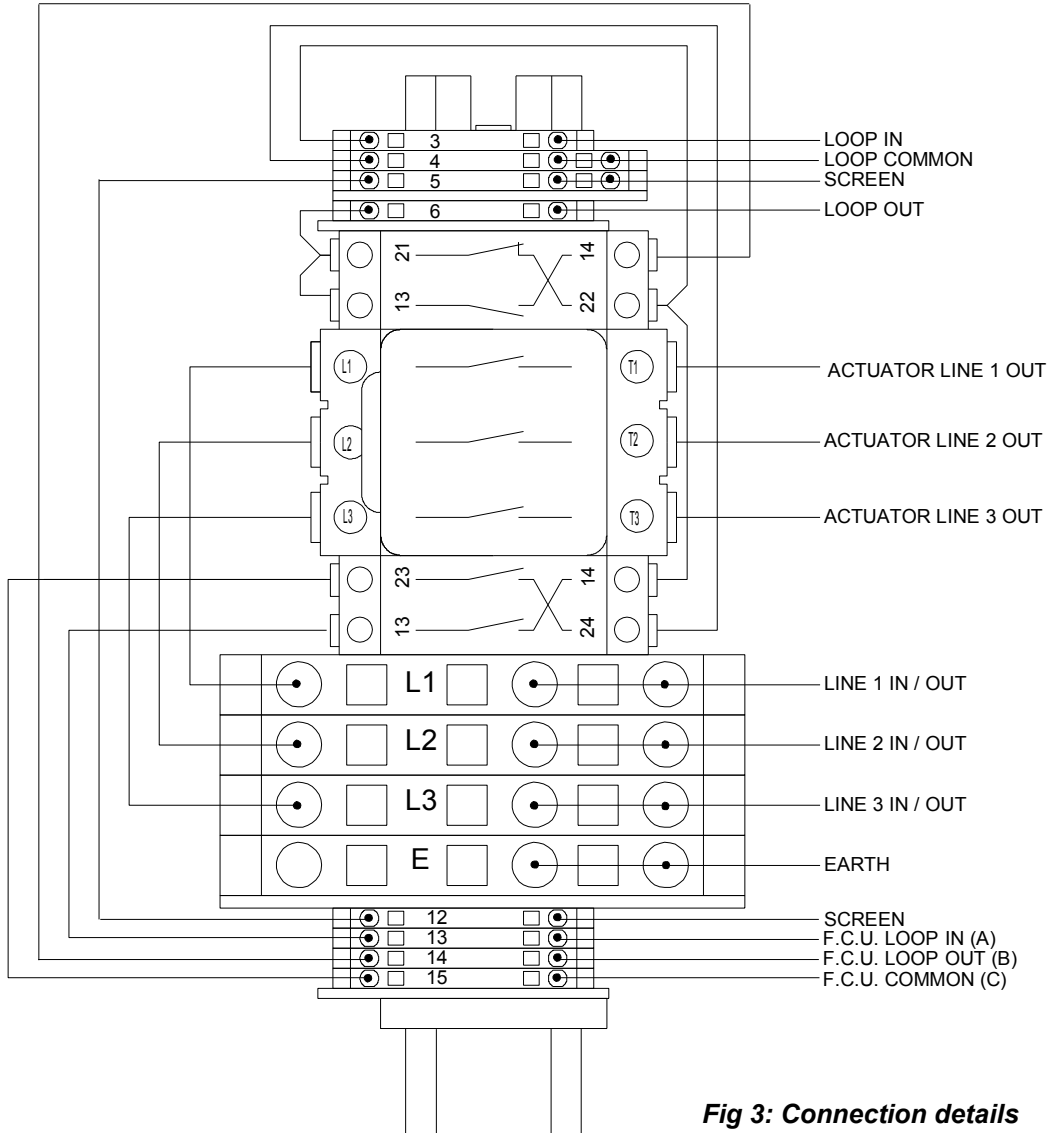


Fig 3: Connection details

rotork®
Controls

Formerly S160E

UK
 Rotork plc
 tel +44 (0)1225 733200
 fax +44 (0)1225 333467
 email mail@rotork.com

USA
 Rotork Controls Inc.
 tel +1 (585) 247 2304
 fax +1 (585) 247 2308
 email info@rotork.com

As part of a process of on-going product development, Rotork reserves the right to amend and change specifications without prior notice. Published data may be subject to change. For the very latest version release, visit our website at www.rotork.com

The name Rotork is a registered trademark. Rotork recognises all registered trademarks. The Bluetooth® word mark and logos are registered trademarks owned by Bluetooth SIG, Inc. and any use of such marks by Rotork is under license. Published and produced in the UK by Rotork Controls Limited.

A full listing of our worldwide sales and service network is available on our website.

www.rotork.com

SP0415