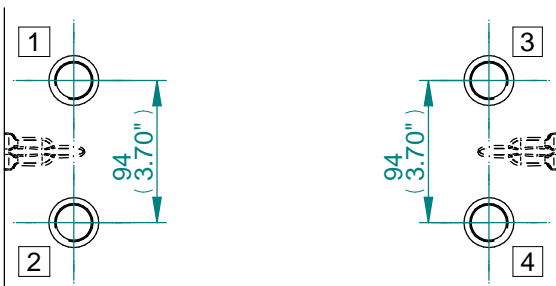
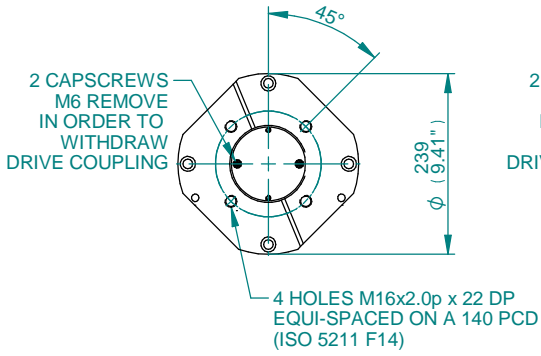


CONDUIT ENTRIES (NTS)

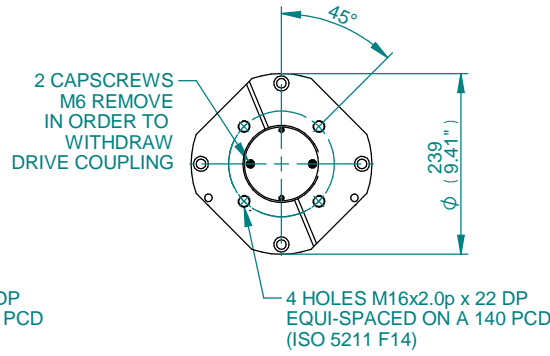


DEFAULT HOLE SIZE: M25x1.5P

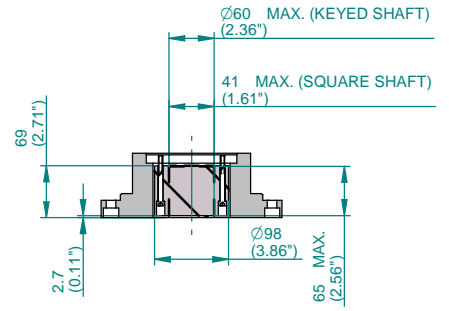
NOTE
 "**" REMOVAL ALLOWANCE REQUIRED.



F14 BASE DETAILS



FA14 BASE DETAILS



COUPLING DETAILS (F14/FA14)