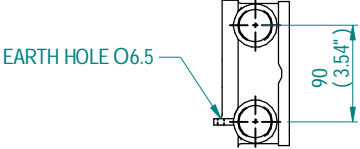


3D VIEW (1:5)

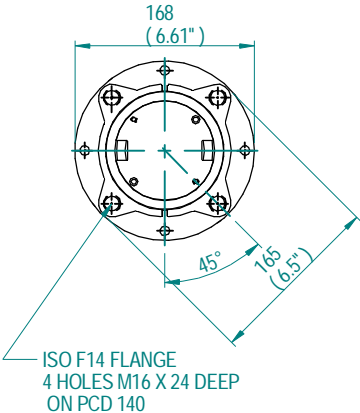
NOTES:
 1. * COVER REMOVABLE ALLOWANCE
 2. APPROXIMATE WEIGHT IS 28 Kg

CONDUIT ENTRIES: (NTS)



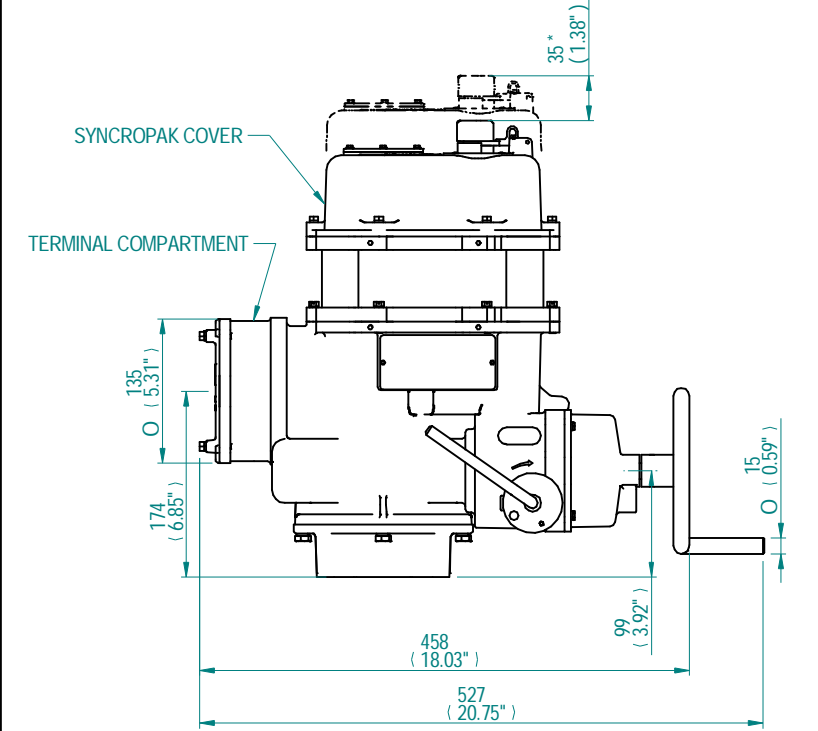
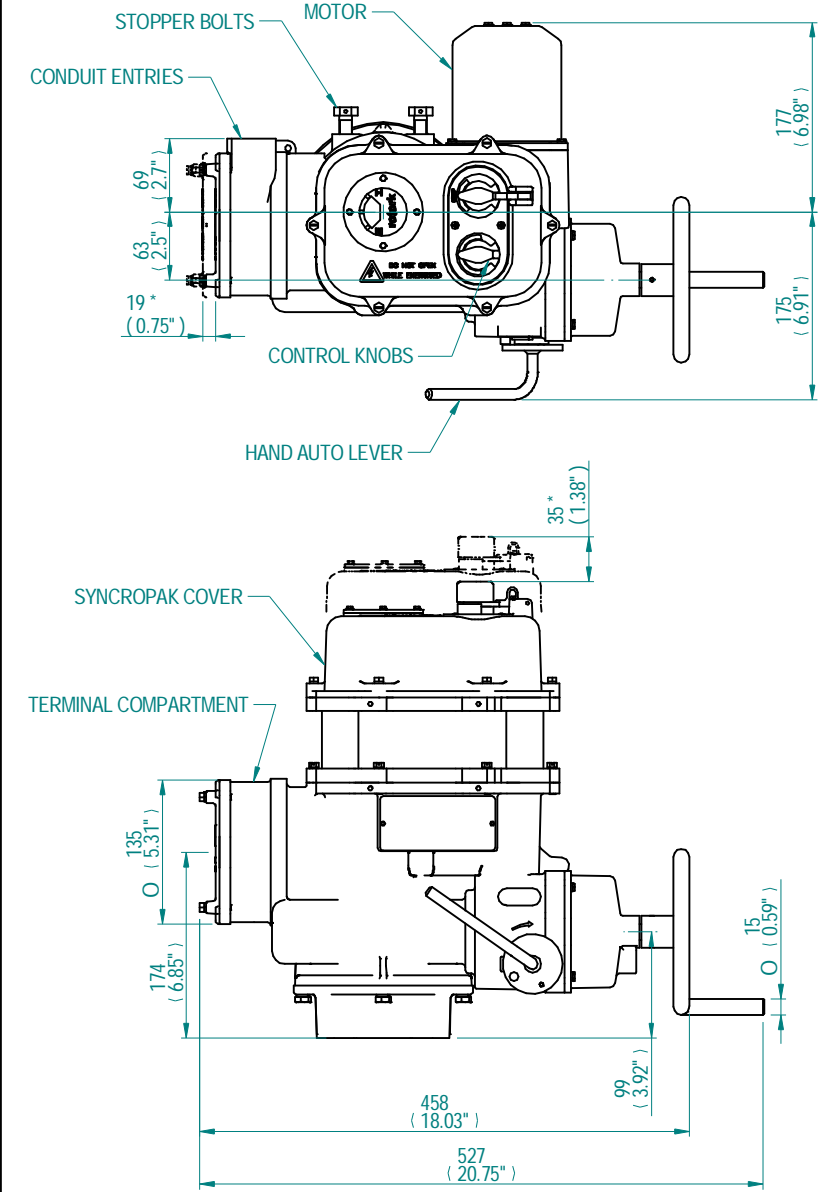
STANDARD : 2 X M32
 ALTERNATIV IF SPECIFIED: 2 X 1 1/4" NPT

VIEW A DETAILS: (NTS)



VIEW A

| | | | | | | | |
|----------|-----|---|----------------------|--------------------------------|----------------|-------------------------------|--------------|
| | | © 2020 Rotork Group of Companies. All rights reserved. This document and its contents may not be reproduced, distributed, transmitted, displayed, published, or broadcast, in whole, or in part, without the prior express written permission of Rotork Group of Companies. | | Dimensions in mm Scale: 1:5 | | Title: Q650 F14 FLANGE | |
| | | Created | DAB | 2020-06-18 | Drawing Number | | Rev |
| Checked | DAB | 2020-06-18 | BR/MISC-10948 | | 0 | | |
| Approved | DAB | 2020-06-18 | Nominal Mass - | | Size | A3 | Sheet 1 of 1 |



| | | | | | | |
|-----|-----|---------|---------------|----------|--------------------|--|
| 0 | | | | 20-06-18 | FIRST ISSUE | |
| Rev | ECN | Revised | Rev. Approved | Date | Change Description | |
| 1 | | | | | | |