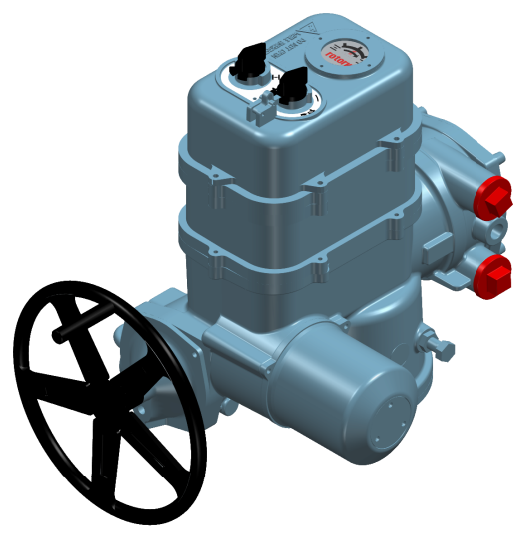
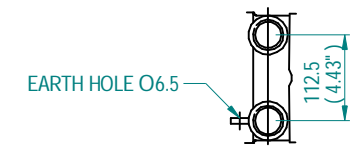


3D VIEW (1:5)



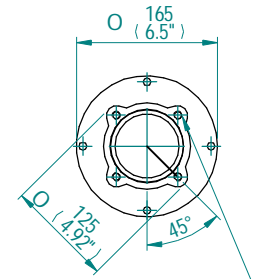
NOTES:
 1. * COVER REMOVABLE ALLOWANCE
 2. APPROXIMATE WEIGHT IS 24 Kg

CONDUIT ENTRIES: (NTS)

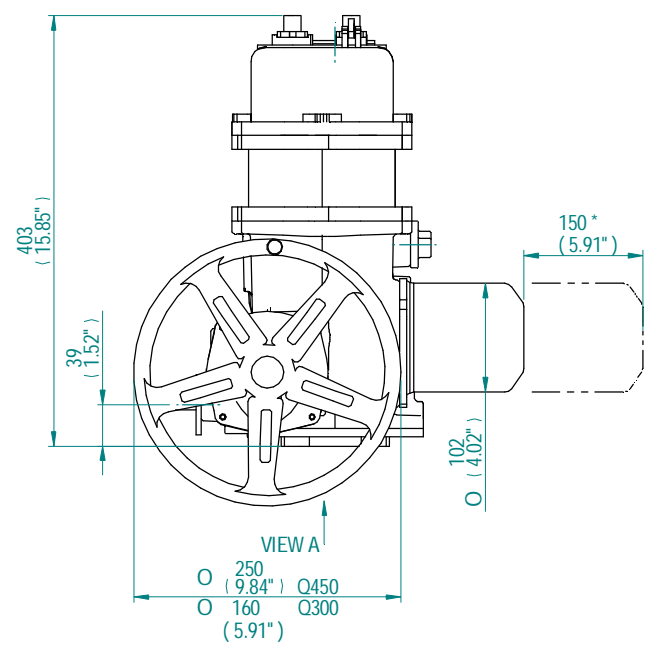
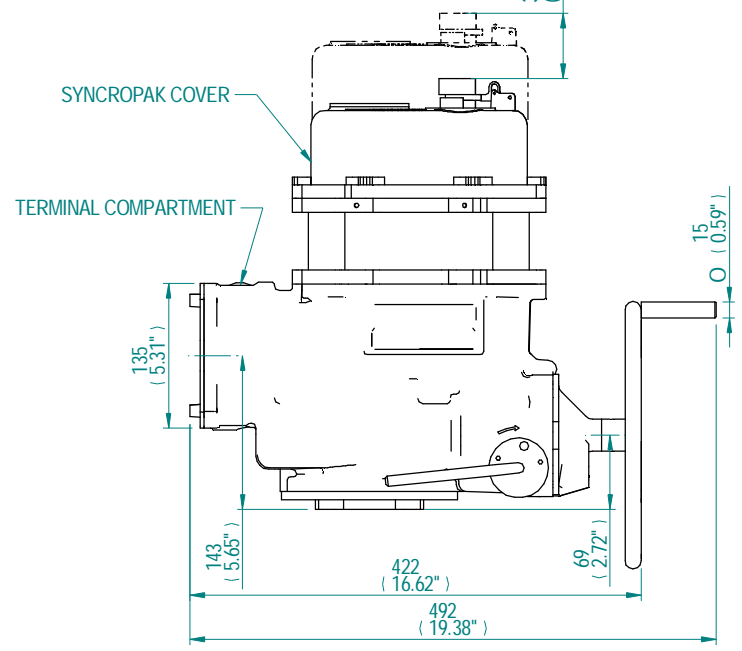


STANDARD : 2 X M32
 ALTERNATIV IF SPECIFIED: 2 X 1 1/4" NPT

VIEW A DETAILS: (NTS)



ISO F07 FLANGE
 4 HOLES M8X12 DEEP
 ON 70 PCD
 OR
 ISO F10 FLANGE
 4 HOLES M10X24 DEEP
 ON 102 PCD



<p>© 2020 Rotork Group of Companies. All rights reserved. This document and its contents may not be reproduced, distributed, transmitted, displayed, published, or broadcast, in whole, or in part, without the prior express written permission of Rotork Group of Companies.</p> <p>Chennai - India www.rotork.com</p>		Dimensions in mm Scale 1:5		Title Q300 / 450 3 PHASE F07 / F10	
		Created DAB 2020-06-18	Drawing Number BR/MISC - 10644		Rev 0
Checked DAB 2020-06-18		Approved DAB 2020-06-18		Nominal Mass - Size A3 Sheet 1 of 1	

0				20-06-18	FIRST ISSUE	
Rev	ECN	Revised	Rev. Approved	Date	Change Description	
1				2		3