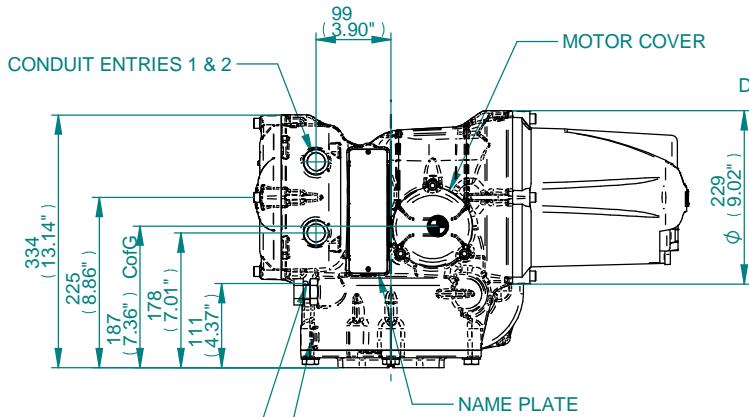
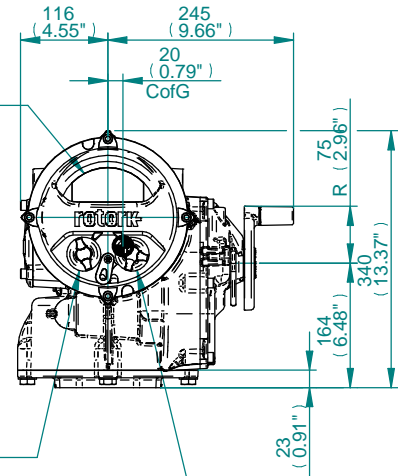


ELECTRONICS COVER



DISPLAY WINDOW



"A"

OPEN/CLOSE SWITCH

LOCAL/REMOTE/STOP SWITCH

Ø6.5 (1/4")
EARTHING HOLE
DRAIN PLUG
(OPTIONAL)

NAME PLATE

CONDUIT ENTRIES 3 & 4

TERMINAL COVER

BATTERY PLUG
DRAIN PLUG
(OPTIONAL)

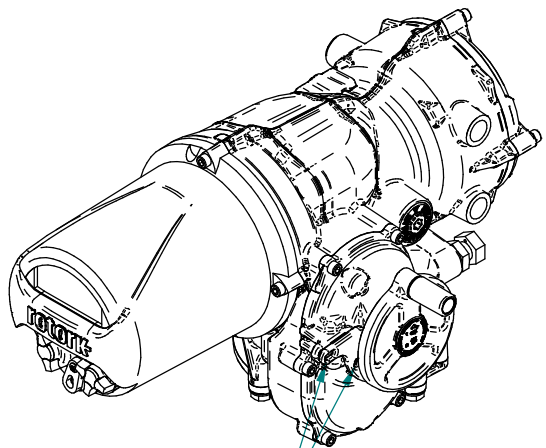
HAND AUTO LEVER

STOP BOLTS

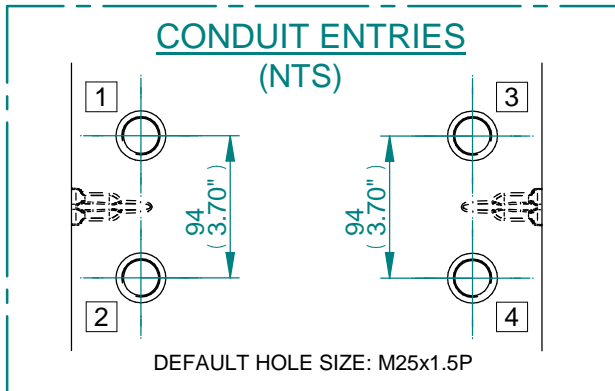
DRAIN PLUG
(OPTIONAL)

HAND WHEEL

VIEW ON ARROW "A"



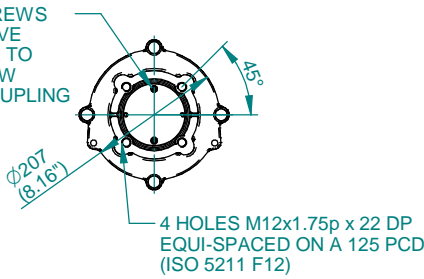
HAND / AUTO LOCKING
BOLT HOLES
FOR Ø8mm HASP PADLOCK



DEFAULT HOLE SIZE: M25x1.5P

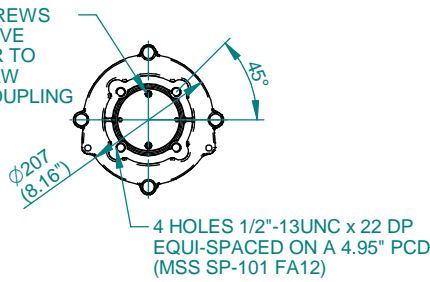
NOTE
*** REMOVAL ALLOWANCE REQUIRED.

2 CAPSCREWS
M6 REMOVE
IN ORDER TO
WITHDRAW
DRIVE COUPLING

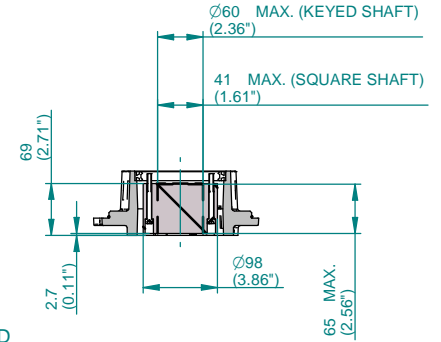


F12 BASE DETAILS

2 CAPSCREWS
M6 REMOVE
IN ORDER TO
WITHDRAW
DRIVE COUPLING

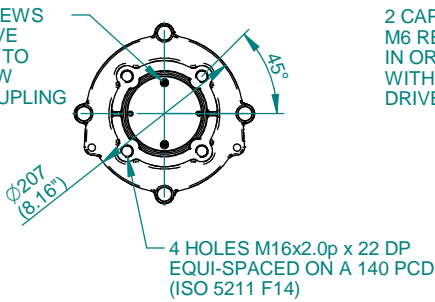


FA12 BASE DETAILS



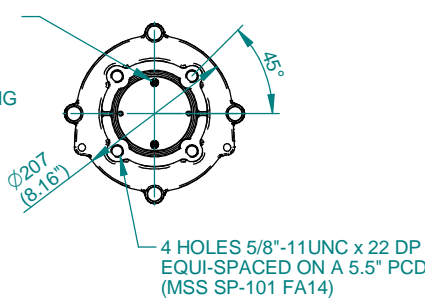
COUPLING DETAILS
(F12/FA12)

2 CAPSCREWS
M6 REMOVE
IN ORDER TO
WITHDRAW
DRIVE COUPLING

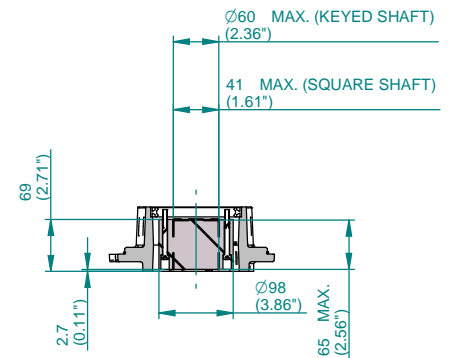


F14 BASE DETAILS

2 CAPSCREWS
M6 REMOVE
IN ORDER TO
WITHDRAW
DRIVE COUPLING

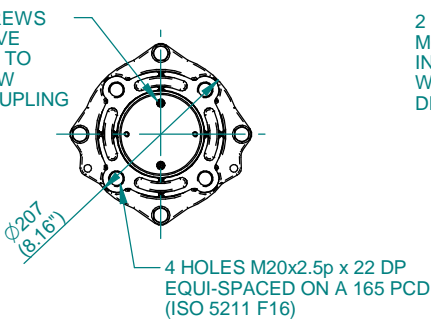


FA14 BASE DETAILS



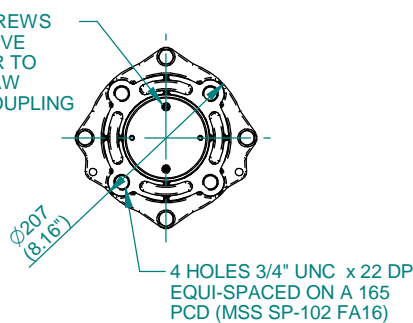
COUPLING DETAILS
(F14/FA14)

2 CAPSCREWS
M6 REMOVE
IN ORDER TO
WITHDRAW
DRIVE COUPLING

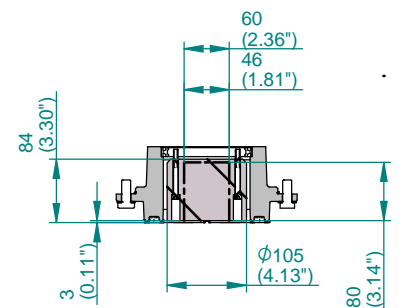


F16 BASE DETAILS

2 CAPSCREWS
M6 REMOVE
IN ORDER TO
WITHDRAW
DRIVE COUPLING



FA16 BASE DETAILS



COUPLING DETAILS
(F16/FA16)