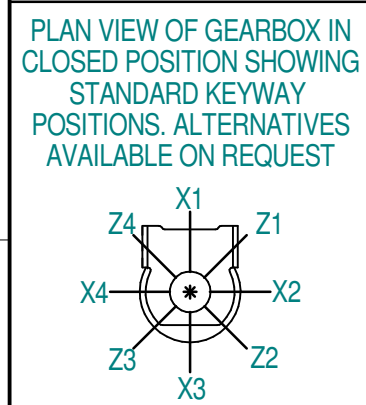
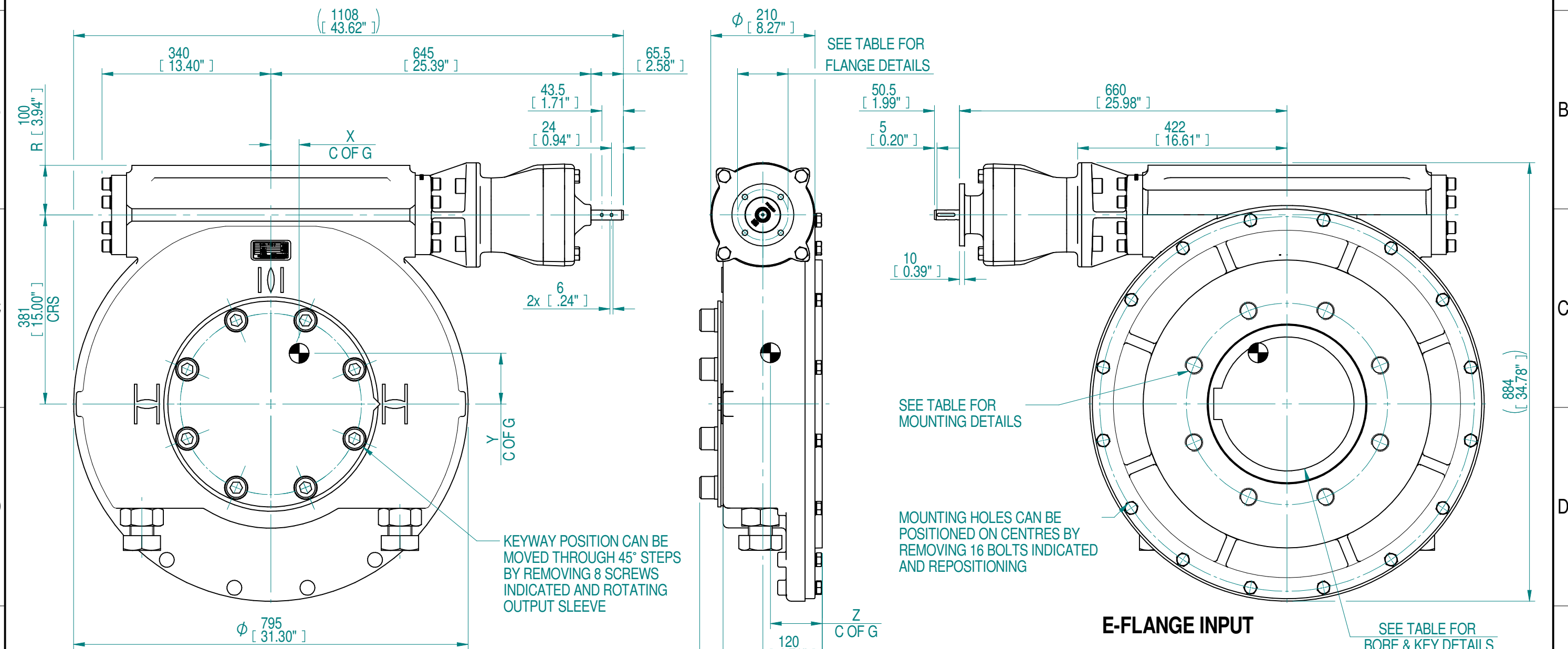


1	2		3		4		5		6		7		8				
INPUT FLANGE DETAILS					MOUNTING HOLES - BOLT CIRCLE (OFF CENTRES)					STEM ACCEPTANCE IN ACCORDANCE TO STANDARD							
INPUT FLANGE	FLANGE O/DIA.	SHAFT DIA.	RECESS DIA.	RECESS DEPTH	HOLE DETAILS (OFF CENTRES)	KEY DETAILS	ISO 5211 / MSS SP-101 MOUNTING OPTION	HOLE DETAILS (OFF CENTRES)	MAX OUTSIDE DIA. INCLUDING DRILLED HOLES	MIN INSIDE DIA. INCLUDING DRILLED HOLES	SQ BORE MAX	STANDARD	MIN BORE	SQ KEY MAX BORE	SQ KEY SIZE	RECT. KEY MAX BORE	RECT KEY SIZE
E-FLANGE	Ø125 (Ø4.92")	Ø19.98-0.05 (Ø0.79"-0.002")	Ø70+0.07 (Ø2.76"+0.003")	4 (0.16")	4x Ø11 ON A Ø102 P.C. (4x Ø0.43" ON A Ø4.02" P.C.)	6x6x36 (0.24"x0.24"x1.42")	ISO F40*	8 x M36 x 36 (1.42") DEEP ON Ø406.0 (Ø15.98") P.C.	Ø544 (21.41")	Ø366 (14.40")	□ 189.5 (7.46")	BS4235	-	-	-	270	63 x 32
							FA40*	8 x 1.25" UNC x 36 (1.42") DEEP ON Ø406.4 (Ø16.00") P.C.				BS46	-	-	-	10"	2.1/2" x 1.7/8"
												ANSI B17.1	-	9.4"	2.1/2" SQ.	10.125"	2.1/2" x 1.3/4"
												DIN 6885	-	-	-	270	63 x 32



- NOTES:
- OTHER INPUT AND OUTPUT OPTIONS AVAILABLE - SEE 'HOW GEARBOX BROCHURE' AT WWW.ROTORK.COM FOR FURTHER DETAILS.
 - CENTRE OF GRAVITY POSITION IS INDICATIVE FOR STANDARD BUILD WHEN IN POSITION SHOWN.
 - * THREAD DEPTH DOES NOT MATCH ISO STANDARD.

2619	655	746.3	127250	171	57	102	104
RATIO	TURNS TO CLOSE	M.A. ± 15%	MAX OUTPUT (Nm)	MAX INPUT (Nm)	X	Y	Z
DESCRIPTION				CENTRE OF GRAVITY			

0-0		M.Jones	N.Coope	2019-10-11	First issue			
Rev	ECN	Revised	Rev. Approved	Date	Change Description			

rotork Gears
LEEDS - UK
www.rotork.com

©2019 Rotork Group of Companies. All rights reserved. This document and its contents may not be reproduced, distributed, transmitted, displayed, published, or broadcast, in whole, or in part, without the prior, express written permission of Rotork Group of Companies.

Dimensions in mm
Scale 1:8

Title **HOW11BB MPR36 QUARTER TURN GEARBOX 2619:1**

Drawing Number **PUB-HOW11BB-MPR36**

Rev 0-0

Created M.Jones 2019-06-26

Checked

Approved N.Coope 2019-10-11

Nominal Mass **459.47 kg**

Size A3 Sheet 1 of 1