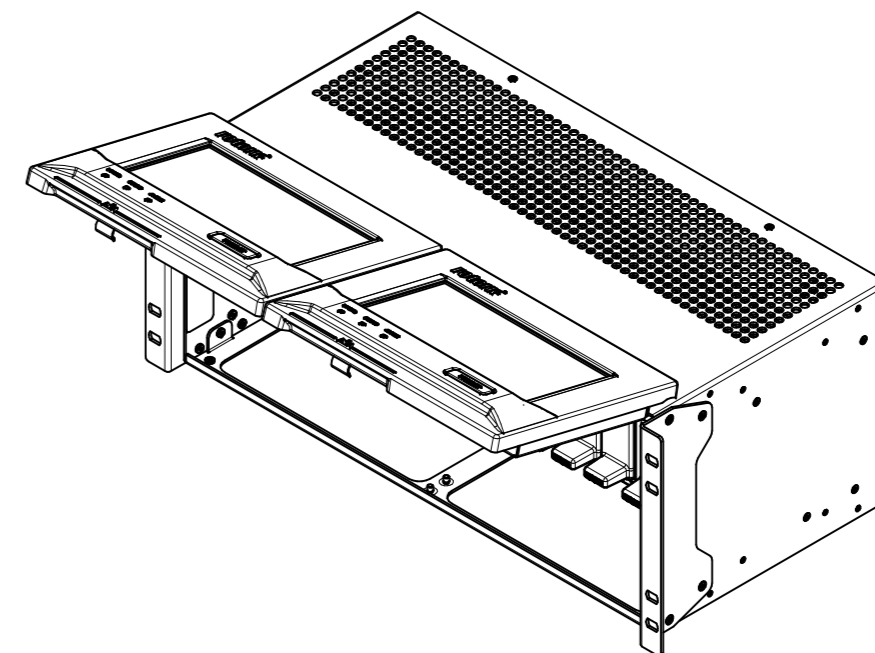
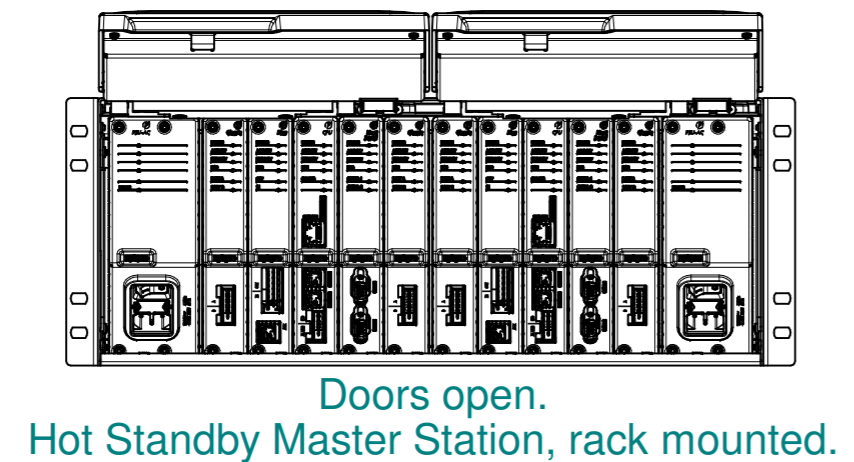
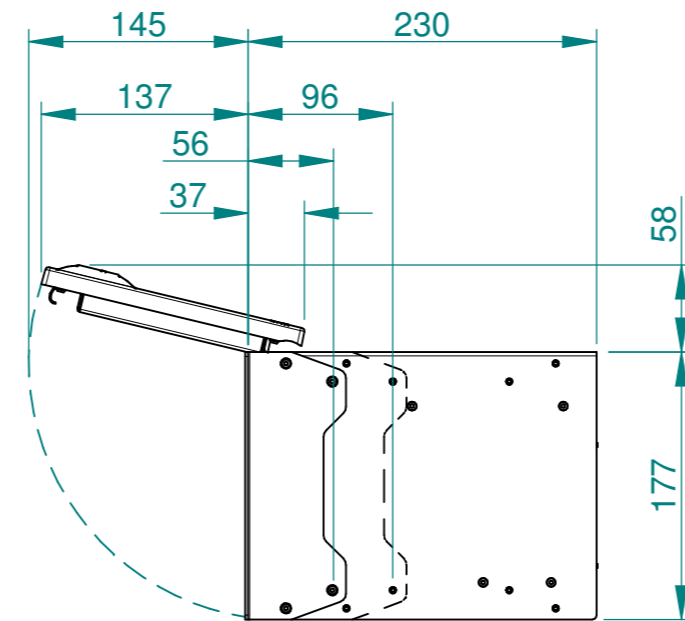


Weights
Hot Standby Master Station: 7 kg
Single Master Station 6 kg

All dimensions in mm



rotork Controls Bath - UK www.rotork.com		© 2019 Rotork Group of Companies All rights reserved. This document and its contents may not be reproduced, distributed, transmitted, displayed, published, or broadcast, in whole, or in part, without the prior, express written permission of Rotork Group of Companies.		Title MASTER STATION INSTALLATION DETAILS	
Created	P.Johns	2019-09-12	Checked	P.Johns	Drawing Number DOC5234
Approved	P.Johns	2019-09-12	Rev	1-0	Size A2 Sheet 1 of 1

Rev	ECN	Revised	Rev. Approved	Date	Change Description
1-0	N/A	P.Johns	P.Johns	2019-09-12	First Issue