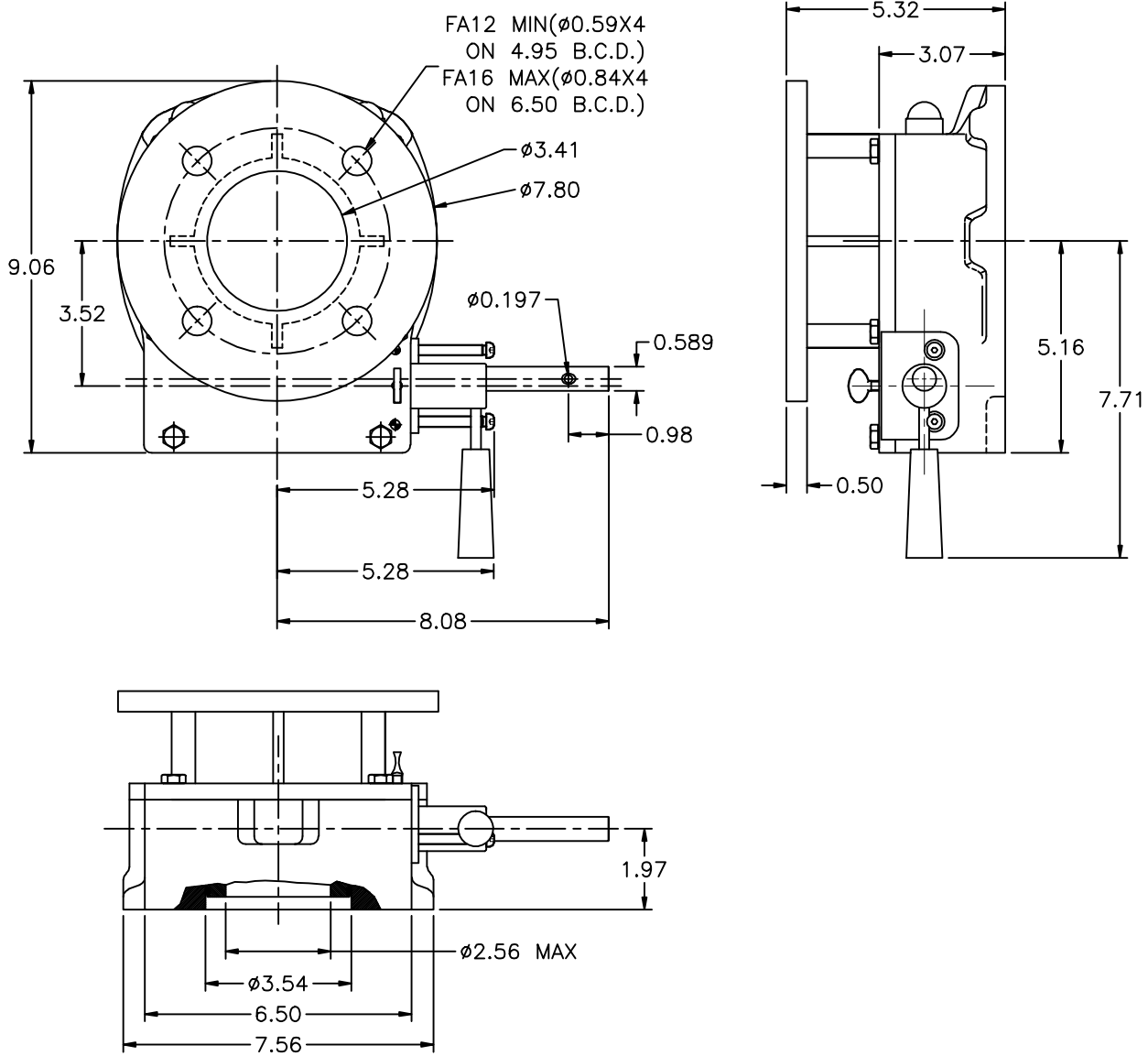


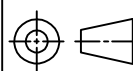
ACTUATOR: M14SD



GENERAL INFORMATION

TRAVEL..... $90^\circ \pm 10^\circ$ AT BOTH ENDS MECHANICAL ADVANTAGE..... $19.8 \pm 10\%$
 RATIO.....72:1 OUTPUT TORQUE(1000 CYCLES)..19360 IN-LBS
 TURNS TO CLOSE....18 INPUT TORQUE(1000 CYCLES).....978 IN-LBS

MOUNTING HOLE DETAIL: PREFERRED....FA14 (4 x 5/8-11 ON 5.50" BCD)
 (MSS SP-101) MAXIMUM.....FA16 (4 x 3/4-10 ON 6.50" BCD)
 MINIMUM.....FA12 (4 x 1/2-13 ON 4.95" BCD)



DIMENSIONS
 IN
 INCHES

SCALE

1:4

DRAWING
 No.

M14SD

THIS PRINT IS CONFIDENTIAL AND IS THE PROPERTY OF MASTERGEAR. THIS PRINT SHALL NOT BE USED,
 COPIED OR REPRODUCED IN WHOLE OR IN PART NOR SHALL THE CONTENTS BE REVEALED IN ANY
 MANNER TO ANYONE UNLESS WRITTEN PERMISSION IS OBTAINED FROM MASTERGEAR. ©

BSS

REV. A
 6/6/06