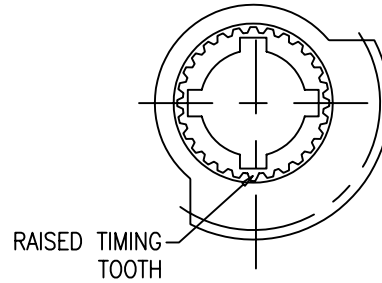
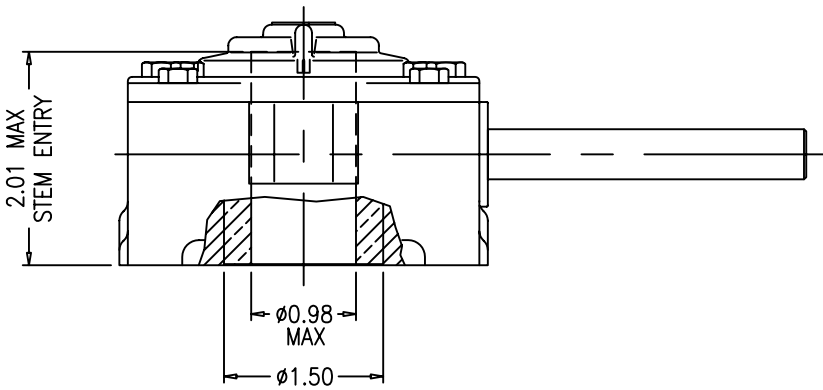
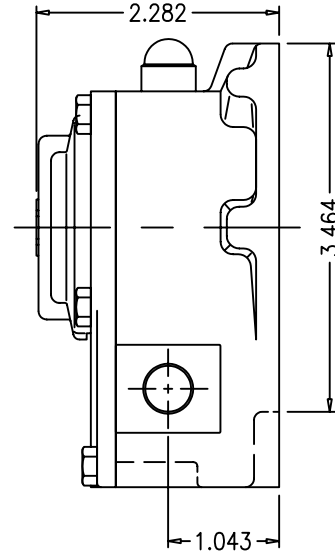
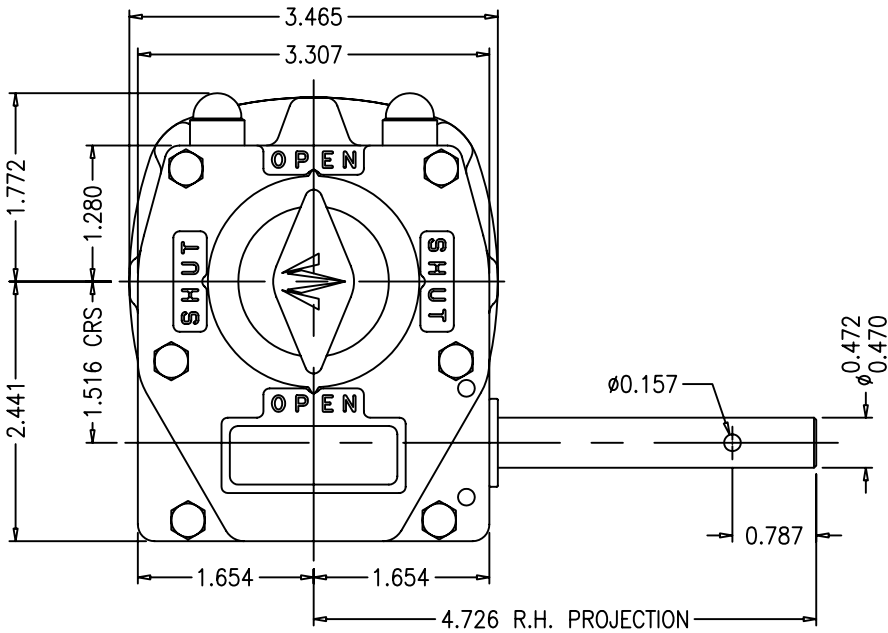


ACTUATOR TYPE - M07



GENERAL INFORMATION

TRAVEL..... 90° ±5° AT BOTH ENDS
 RATIO..... 40:1
 TURNS TO CLOSE..... 10

MECHANICAL ADVANTAGE..... 11.0 ±10%
 MAXIMUM OUTPUT TORQUE..... 2,200 IN-LBS
 MAXIMUM INPUT TORQUE..... 200 IN-LBS

MOUNTING HOLE DETAIL: PREFERRED..... FA07 (4 X 5/16-18 ON 2.75 BCD)
 MAXIMUM..... FA07 (4 X 5/16-18 ON 2.75 BCD)
 MINIMUM..... FA05 (4 X 1/4-20 ON 2.00 BCD)

APPROXIMATE WEIGHT..... 5.7 LBS. (2.6 KG) (EXCLUDING HANDWHEEL)

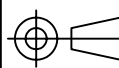
OUTPUT KEYWAY DETAILS SHOWN IN OPEN POSITION

HANDWHEEL DATA	
Ø	RIM PULL AT MAX. TORQUE
CR6	67 LBS
CR9	44 LBS



MASTERGEAR

DIVISION OF REGAL-BELOIT CORPORATION
 5466 EAST ROCKTON RD. · SOUTH BELOIT, IL 61080



DIMENSIONS
 IN
 INCH

DO
 NOT
 SCALE

DRAWING
 No.
 M07

THIS DRAWING/DESIGN IS THE PROPERTY OF MASTERGEAR. AND MUST NOT BE USED OR COPIED WITHOUT THEIR SPECIFIC WRITTEN CONSENT. ©

APPROVED BY
 JRH

REV.B
 8/17/05