

- NOTE:
1. GEAR BOX RATIO : 34:1
 2. GEAR BOX BASEPLATE : F07/FA07, F10/FA10, F12/FA12, F14/FA14 & F16/FA16.
 3. DIMENSIONS WITH "*" INDICATE COVER REMOVAL ALLOWANCE
 4. THE INTERFACE PROVIDED FOR MOUNTING THE ACTUATOR OR SECOND STAGE GEARBOX ONTO THE VALVE SHOULD CONFORM TO GOOD ENGINEERING PRACTICES, ENSURING ADEQUATELY TOLERANCED LIMITS FOR PARALLELISM, PERPENDICULARITY AND CONCENTRICITY.
 5. ROTORK CANNOT BE HELD LIABLE FOR DAMAGE TO OUR EQUIPMENT CAUSED BY EXCESSIVE LOADING FROM COVER TUBES, HANDWHEEL AND HAND LEVER.

PARAMETER	VALUE	DESCRIPTION
DRAWING TYPE	A	INSTALLATION DRAWING
ACTUATOR	1	CK(R)30/60
GEARBOX1	A5	AB550
GEARBOX2	N0	NO G.B.2
CENTORNIK / TERMINAL	S	SET/3 COND
MECHANISM / MOTOR	S	STD.MECH/SMALL MOT.
HANDWHEEL / REAR / FRONT	0	STD.H.W./STD.REAR./STD.FRNT.
ORIENTATION	0	STD. ORIENT.

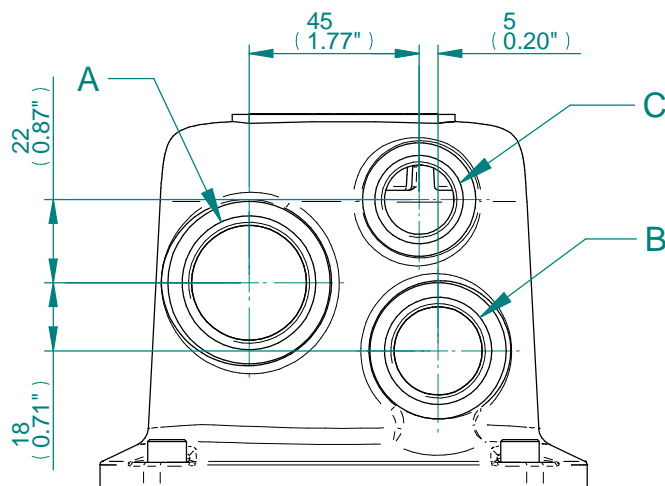
CK range	Drawn	TAMIL	12-05-17
	Checked	BHARAT	12-05-17
	Approved	JOSE	12-05-17

Title DIMENSIONAL DRAWING, CK30/60 & CKR30/60, AB550, 3 CONDUIT ENTRIES, SMALL MOTOR, STANDARD ORIENTATION.

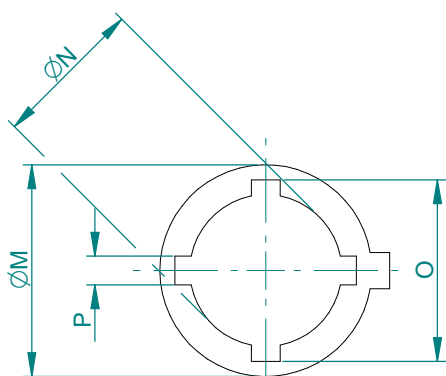
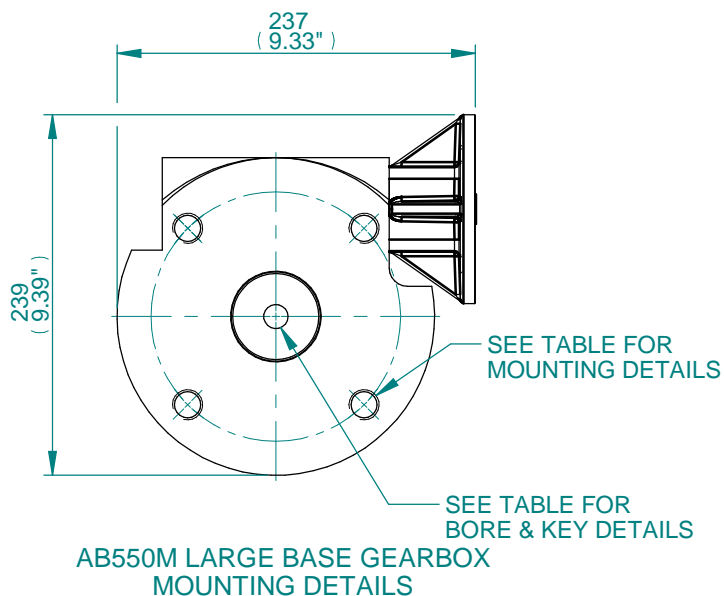
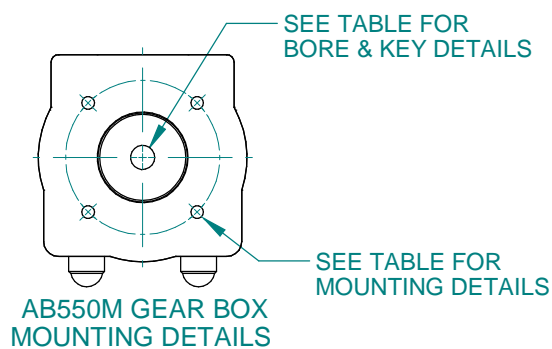
This drawing and the information it contains are property of Rotork Controls Limited, and they will not be reproduced or disclosed, in whole or in part, without the prior written consent of Rotork.

A4	Doc Number	Ver No	Scale	Sheet No
	A1A5N0SS00X	2	NTS	1 of 2

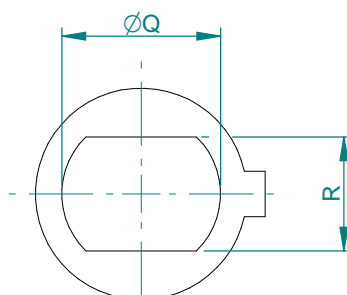
CONDUIT ENTRY HOLE		
Hole	Metric	NPT
A	M32	1 1/4"
B	M25	3/4"
C	M20	3/4"



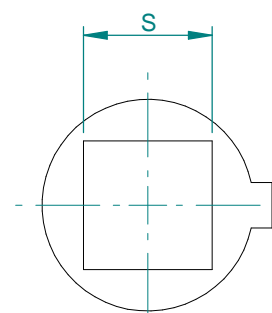
CONDUIT ENTRIES



KEYED STEM



FLAT HEAD STEM



SQUARE STEM 90°

DIMENSIONS MAXIMUM (INSERTS)

TYPE	ØM	ØN	O	P	ØQ	R	S
AB550M	45.3 (1.78)	30 (1.18)	36.6 (1.44)	8 (0.31)	36.2 (1.43)	27 (1.06)	27 (1.06)

BASEPLATE DETAILS

TYPE	BASEPLATE	HOLE DETAILS (45° OFF CENTRES)	
F07	STANDARD	4x M8 x 13 DEEP ON A Ø70P.C.	
FA07		4x 5/16"UNC x 0.51" DEEP ON A Ø2.75"P.C.	
F10		4x M10 x 13 DEEP ON A Ø102P.C.	
FA10		4x 3/8"UNC x 0.51" DEEP ON A Ø4"P.C.	
F12		4x M12 x 16 DEEP ON A Ø125P.C.	
FA12		4x 1/2"UNC x 0.63" DEEP ON A 4.95"P.C.	
F14		4x M16 x 18 DEEP ON A Ø140P.C.	
FA14		4x 5/8"UNC x 0.71" DEEP ON A Ø5.5"P.C.	
F16		LARGE BASE	4x M20 x 18 DEEP ON A Ø165P.C.
FA16			4x 3/4"UNC x 0.71" DEEP ON A 6.5"P.C.

CK range

Drawn	TAMIL	12-05-17
Checked	BHARAT	12-05-17
Approved	JOSE	12-05-17

Title DIMENSIONAL DRAWING, CK30/60 & CKR30/60, AB550, 3 CONDUIT ENTRIES, SMALL MOTOR, STANDARD ORIENTATION.

This drawing and the information it contains are property of Rotork Controls Limited, and they will not be reproduced or disclosed, in whole or in part, without the prior written consent of Rotork.

A4	Doc Number	Ver No	Scale	Sheet No
	A1A5N0SS00X	2	NTS	2 of 2