

CIRCUIT IS DRAWN FOR A VALVE IN THE FULLY CLOSED POSITION

CIRCUIT DIAGRAM No - REV

1411-41-02

WARNING

DO NOT RUN ACTUATOR TO LIMITS WITH INCORRECT PHASE ROTATION

- O - OPEN
- C - CLOSE
- OC - OPEN CONTACTOR
- CC - CLOSE CONTACTOR
- OC1 & CC1 - CONTACTOR INTERLOCK
- OC2 & CC2 - CONTACTOR MAINTAINING CONTACT
- OC3 & CC3 - CONTACTOR AUXILIARY CONTACT
- T/LS - TORQUE/LIMITSWITCH
- AS1 - AUXILIARY LIMIT SWITCH MAKE CONTACT AT END OF TRAVEL
- AS2 - AUXILIARY LIMIT SWITCH BREAK CONTACT AT END OF TRAVEL
- LINK SUPPLIED BY ROTORK
- THERMAL FUSE, ATEX APPROVED UNITS ONLY.

- R - RELAY
- R1 & R2 - RELAY CONTACTS
- M - MONITOR

FOR TYPICAL REMOTE CONTROL INDICATING, MONITORING AND ALARM CIRCUITS SEE PUBLICATION AE4.0

FUSES FS1,2,3 500 mA

WIRES ARE IDENTIFIED AT EACH END BY TERMINAL NO. OR BY WIRE NO. SHOWN

— INDICATES TWO WIRES TERMINATED

IAS1/2/3 - ADJUSTABLE TO OPERATE TOGETHER AT ANY POSITION (DRAWN AS FOR EXTRA OPEN AUXILIARY)

IAS4/5/6 - ADJUSTABLE TO OPERATE TOGETHER AT ANY POSITION (DRAWN AS FOR EXTRA CLOSE AUXILIARY)

IAS 1 TO 6 INTERMEDIATE AUXILIARY SWITCHES. CONTACT FUNCTIONS MAY BE REVERSED BY SETTING CAM TO RELEASE INSTEAD OF DEPRESS SWITCH AS ILLUSTRATED

CONTROL CIRCUIT SCHEMATIC No. WS1411-41

C.S.A. NOTE.

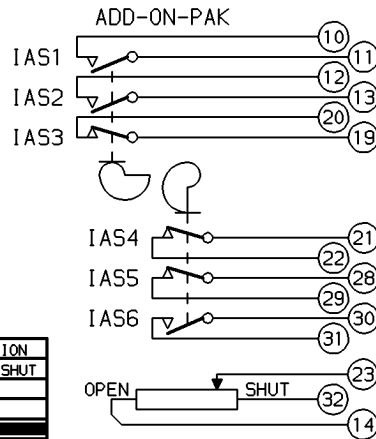
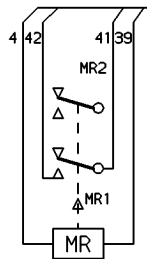
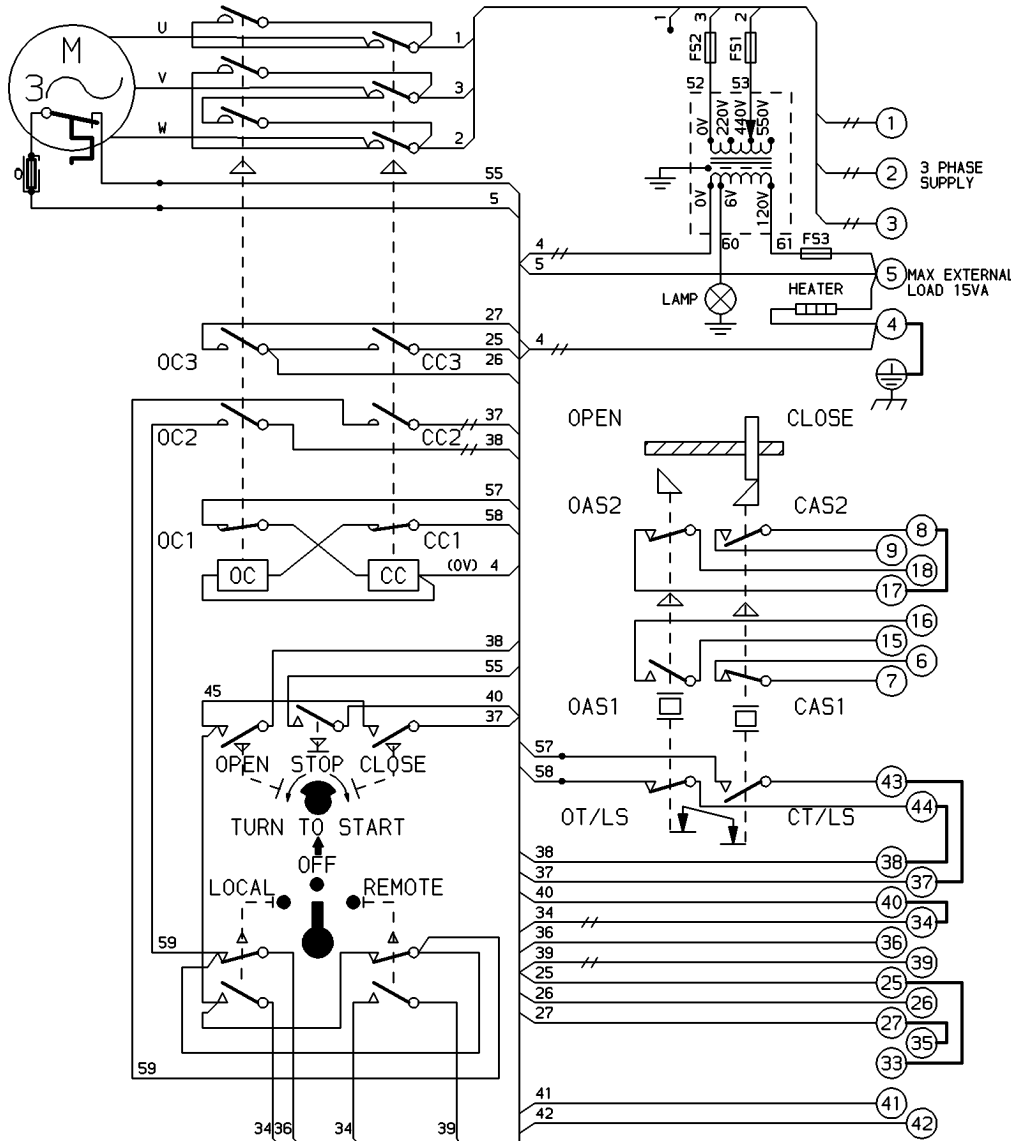
FOR C.S.A. ONLY FUSES FS1 & FS2 ARE NOT FITTED. POTENTIOMETER SUPPLY TO BE FUSED. (1 AMP MAXIMUM)

FOR TYPICAL REMOTE CONTROL INDICATING, MONITORING AND ALARM CIRCUITS SEE PUBLICATION AE4.0

CONTROL CIRCUIT SCHEMATIC No. WS1411-41

C.S.A. NOTE.

FOR C.S.A. ONLY FUSES FS1 & FS2 ARE NOT FITTED. POTENTIOMETER SUPPLY TO BE FUSED. (1 AMP MAXIMUM)



TORQUE AND LIMIT SWITCH OPERATION				ADD ON PAK 1 SWITCH OPERATION			
SWITCH	OPEN	INTER	SHUT	SWITCH	OPEN	INTER	SHUT
OT/LS				IAS1			
CT/LS				IAS2			
CAS1				IAS3			
CAS2				IAS4			
OAS1				IAS5			
OAS2				IAS6			

INDICATES SWITCH MADE

No	DATE	REVISION
02	281108 P.J.W	ATEX THERMAL FUSE ADDED CHECKED JC1



ROTORK CONTROLS LTD
BATH ENGLAND, BA1 3JQ.
(Phone 01225-733200)

ROTORK CONTROLS INC
ROCHESTER, NY 14624.
(Phone 585-328-1550)

DRAWN BY K.S
DATE 101285
CHECKED A.S

SIMILAR TO 1411-41
JOB No --
M.1.No --

1400 SERIES SYNCROPAK WITH MONITOR RELAY & AOP1

CIRCUIT DIAGRAM No -REV
1411-41-02