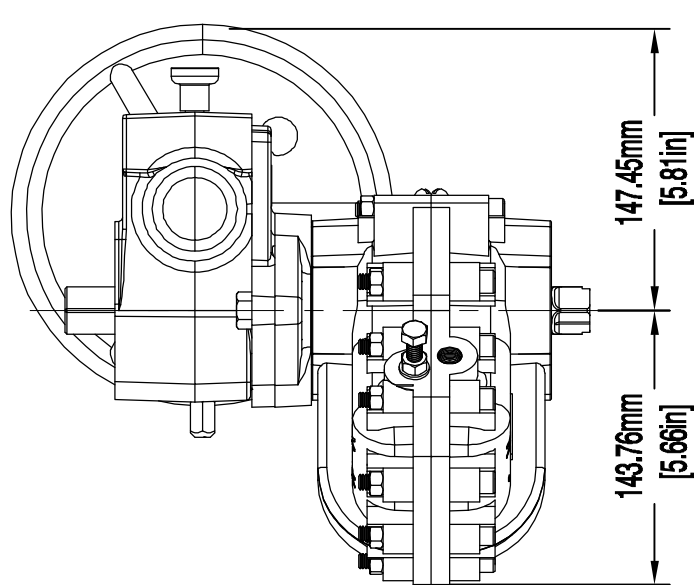
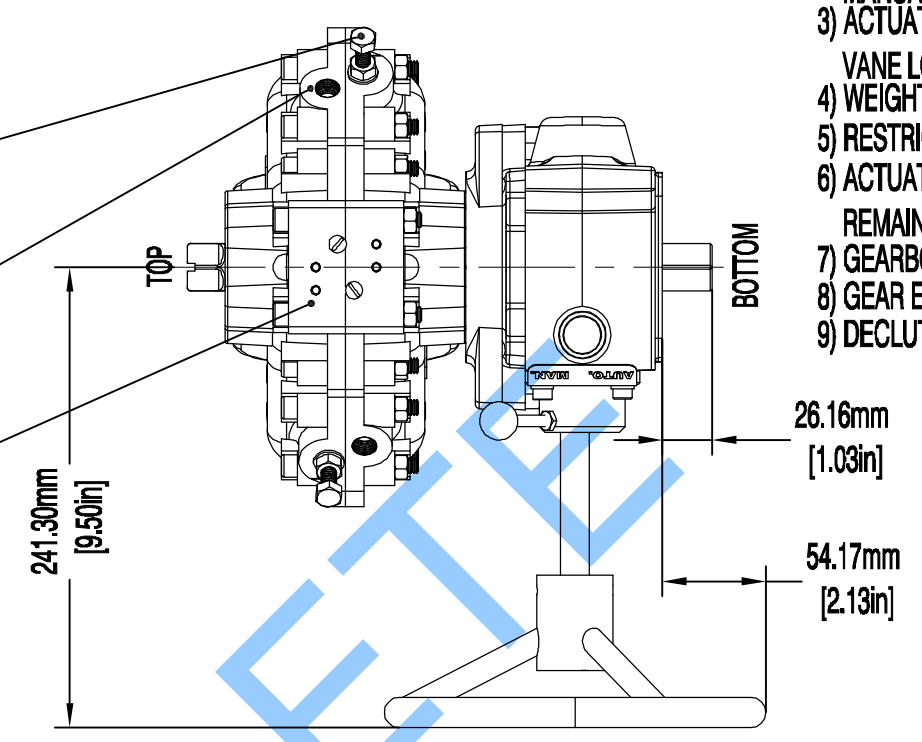


TRAVEL  
ADJUSTMENT  
+/- 5° EACH  
DIRECTION

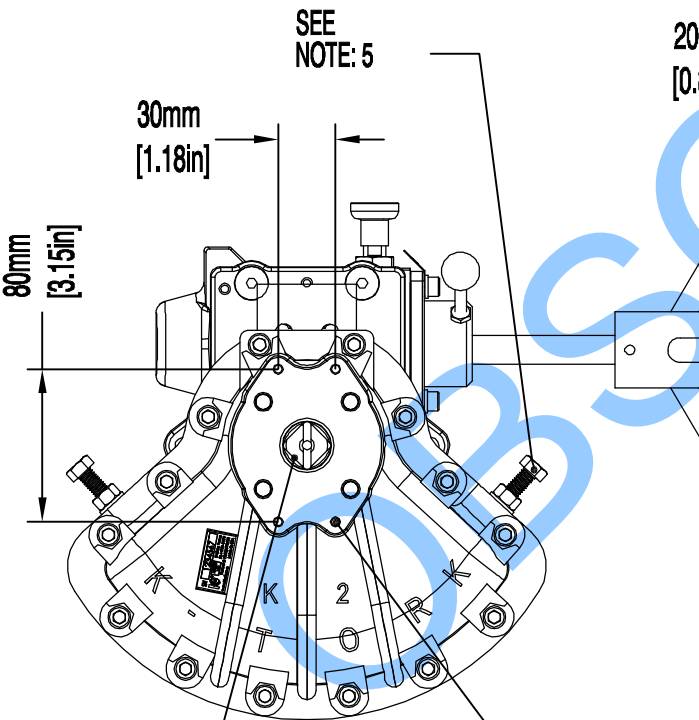
AIR PORTS  
1/4" NPT  
(STAGGERED)

NAMUR VDI/VDE 3845  
MOUNTING FOR  
SOLENOID VALVE  
10-24 UNC

- NOTES:  
 1) MAX ALLOWABLE OPERATING PRESSURE (MAOP) = 10 BAR (150 PSIG)  
 2) WARNING - SEE K-TORK INSTALLATION, OPERATION & MAINTENANCE MANUAL BEFORE MOUNTING, INSTALLING OR SERVICING.  
 3) ACTUATOR SHOWN IN FULL CW POSITION, SCRIBE ON SHAFT SHOWS VANE LOCATION.  
 4) WEIGHT 14.71 kg (32.44 LB.)  
 5) RESTRICTED TRAVEL VERSIONS OPTIONAL.  
 6) ACTUATOR MAY BE REMOVED FROM AUTOMATED VALVE WHILE GEAR REMAINS ATTACHED TO OPERATE THE VALVE OR DAMPER.  
 7) GEARBOX MECHANICAL STOPS, ADJUSTABLE  
 8) GEAR ENGAGEMENT LEVER  
 9) DECLUTCH PULL - PIN



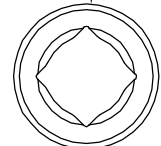
SIDE VIEW



TOP VIEW

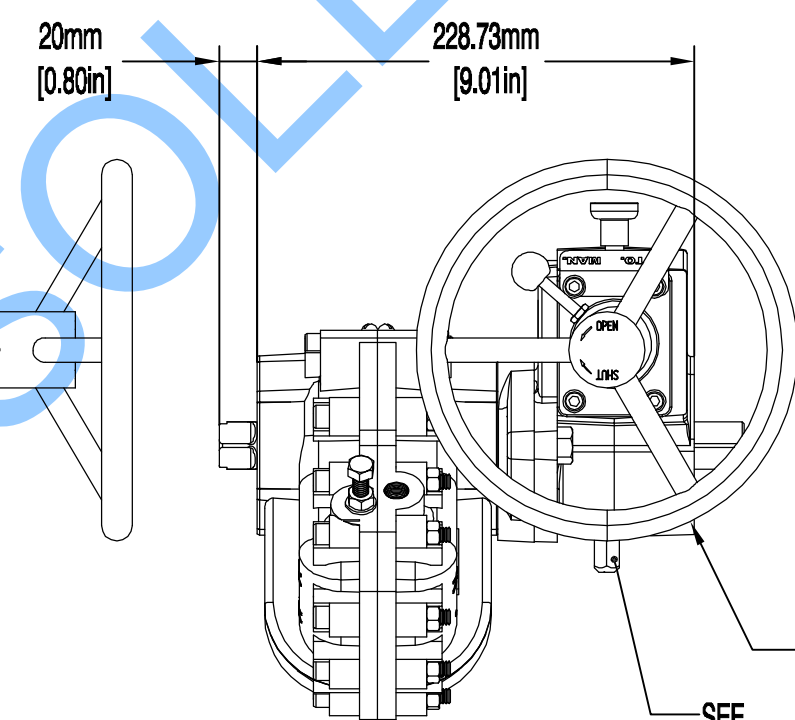
OPTIONAL COUPLING,  
MILD STEEL

Ø38.10mm  
[Ø1.50in]

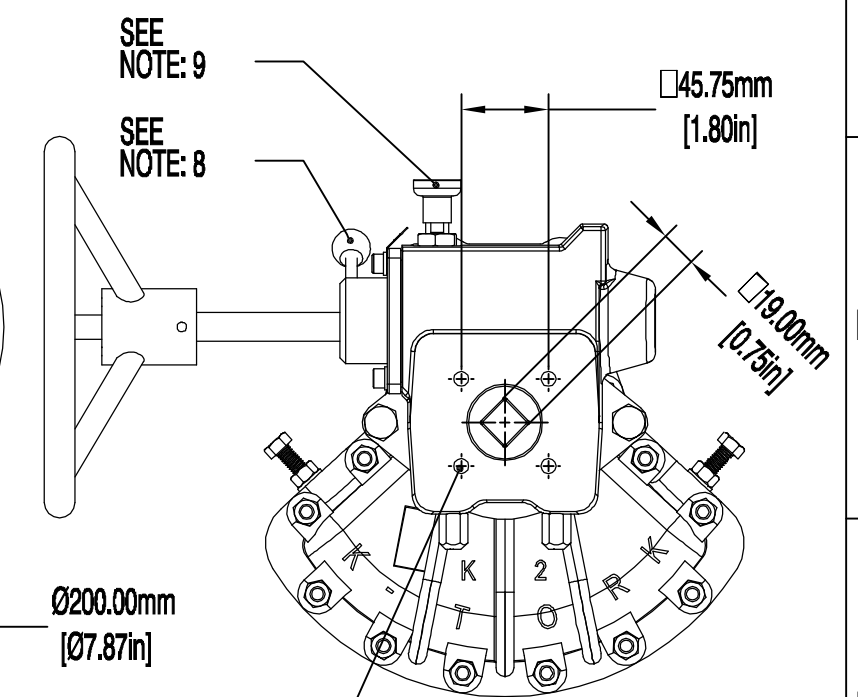


BROACHED TO FIT BOTTOM DRIVE SHAFT

50.04mm  
[1.97in]



SIDE VIEW



BOTTOM MOUNTING VIEW

(4 PLACES)  
3/8-16 UNC-2B  
TAPPED 10mm (.39in) DEEP,  
64.4mm (2.54in) BOLT CIRCLE STRADDLE

**K-TORK**  
ACTUATORS + CONTROLS  
Texas - USA  
www.rotork.com

This drawing is confidential and is the property of Rotork Dallas Inc. and must not be reproduced either wholly or partly. All rights in respect of patents, designs and copyrights are reserved. © 2015

Document type	DETAIL DRAWING	
	Dimensions in mm	
	Scale 1:1	
Created	S.DINESH	30-JAN-2015
Checked	S.SUDHIR	30-JAN-2015
Approved	K.PRICE	30-JAN-2015

Title		K-2-DA-HWMO - IMPERIAL AIR PORTS & MOUNTING HOLES	
Drawing Number		D000000220	
Sheet	1	of	1
Size	A3		

Rev B