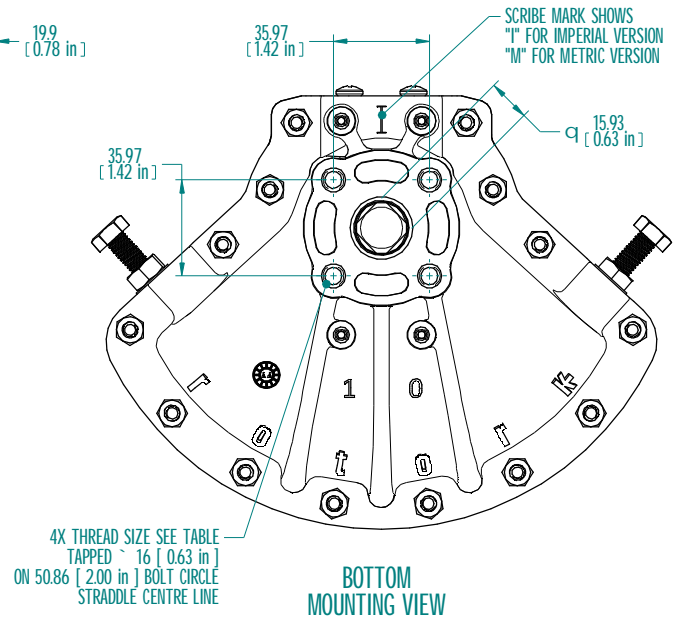
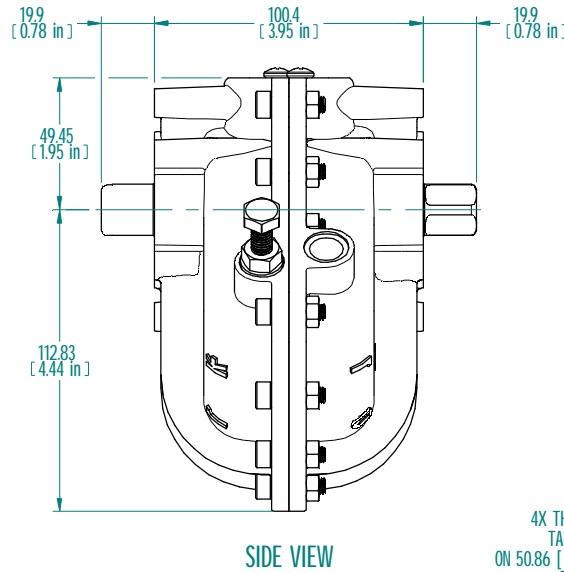
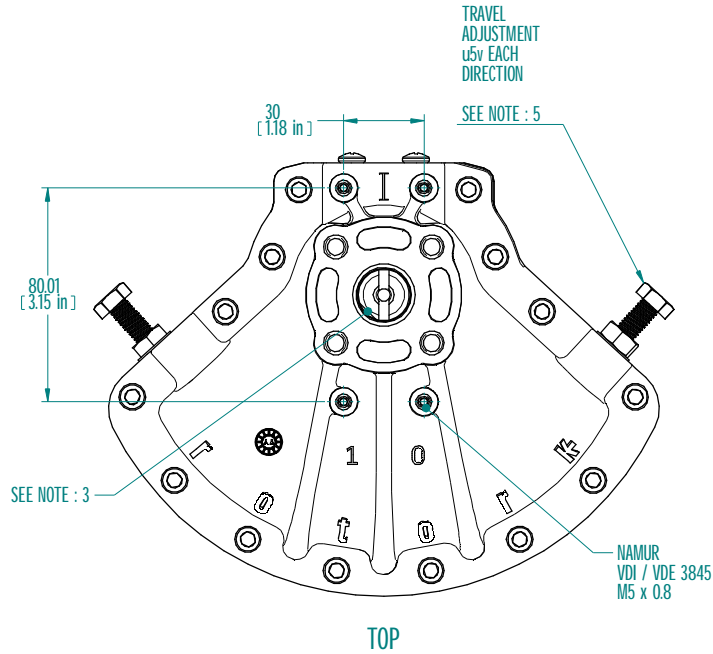
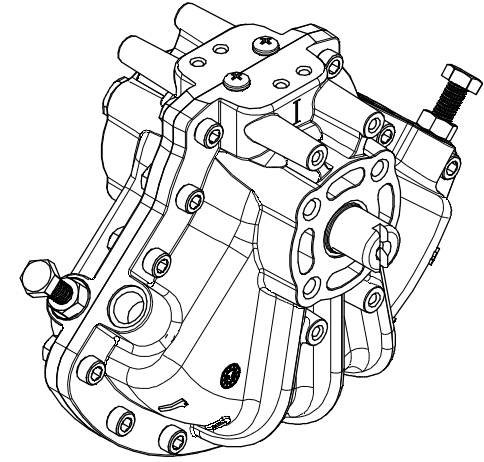
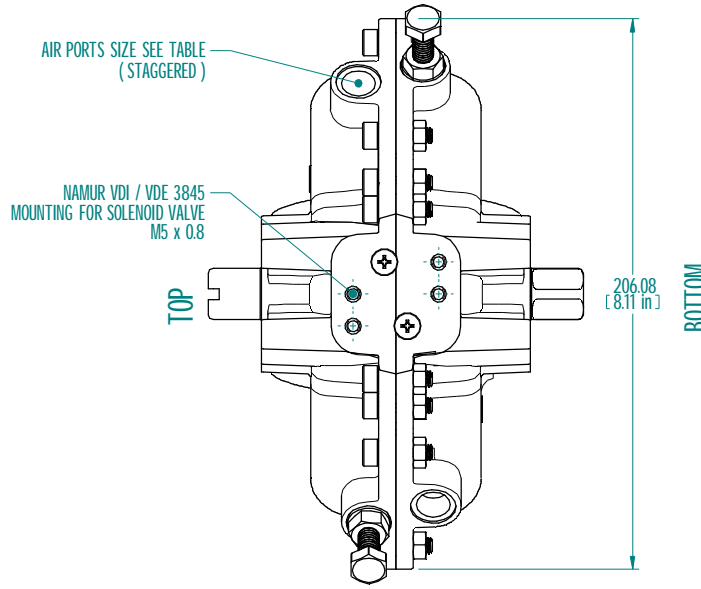
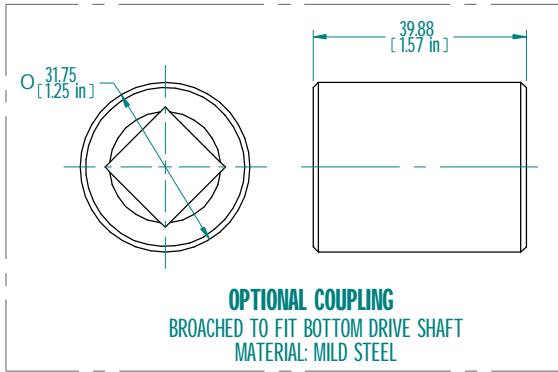


NOTES:

1. MAX. ALLOWABLE OPERATING PRESSURE (MAOP) = 10 BAR (150 PSIG)
2. WARNING - SEE ROTORK INSTALLATION, OPERATION & MAINTENANCE MANUAL BEFORE MOUNTING, INSTALLING OR SERVICING.
3. ACTUATOR SHOWN IN FULL CW POSITION, FLAT ON SHAFT SHOWS VANE LOCATION.
4. WEIGHT 2.7 KG (6 LB.)
5. RESTRICTED TRAVEL VERSIONS OPTIONAL

	IMPERIAL	METRIC
THREAD SIZE	5/16-18 UNC	M8 x 1.25
AIR PORT SIZE	1/4-18 NPT	G1/4



Rev	ECN	Revised	Approved	Date	Change Description
B		K.SEKAR	K.PRICE	14-JUL-2015	DESCRIPTION UPDATED
A		K.SEKAR	K.PRICE	12-JUN-2015	REDRAWN: SOLID EDGE 3D

Dallas, Texas - USA
www.rotork.com

This drawing is confidential and is the property of Rotork Dallas Inc. and must not be reproduced either wholly or partly. All rights in respect of patents, designs and copyrights are reserved. © 2015

Document type		GENERAL ARRANGEMENT	
		Dimensions in mm	
		Scale 1:1	
Created	K.SEKAR	12-JUN-2015	
Checked	S.SUDHR	12-JUN-2015	
Approved	K.PRICE	12-JUN-2015	

Title
KT-10-DA
IMPERIAL / METRIC AIR PORTS & MOUNTING HOLES

Drawing Number
D000000202

Sheet 1 of 1 Size A3