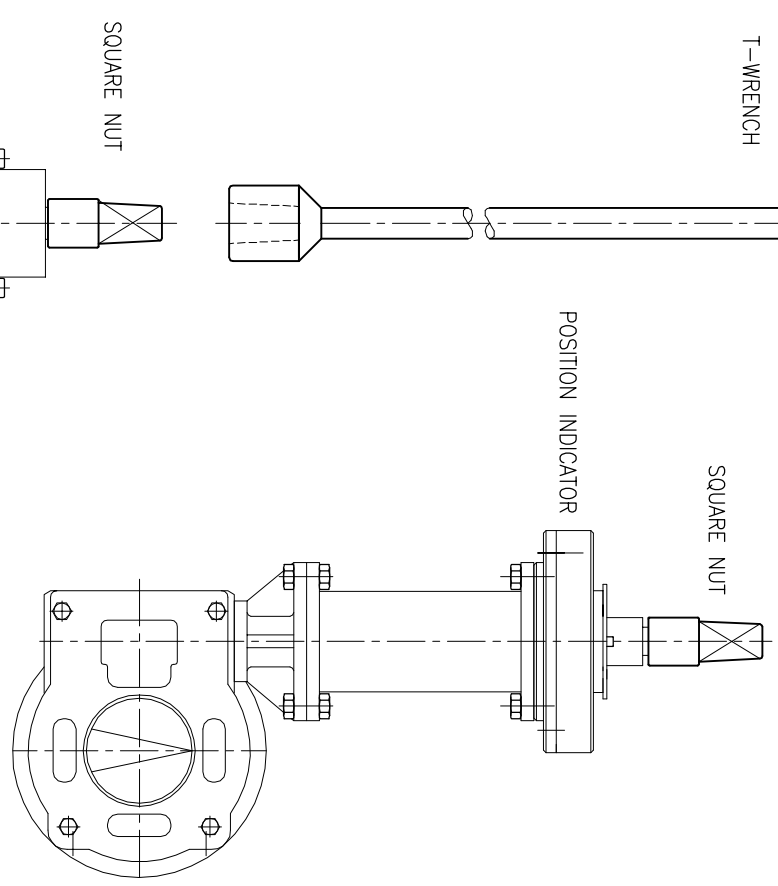
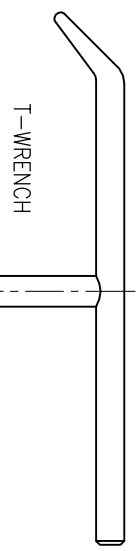


T-WRENCH acc. DIN 3223 typ C

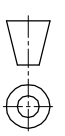
SQUARE NUT 27/32



Dimensions in MM [inch]

T-Wrench / Square nut

THIS DOCUMENT IS PROPERTY OF ROTORK GEARS. NEITHER THIS OR ITS CONTENT MAY BE COPIED OR USED IN ANY OTHER WAY DETRIMENTAL TO THE INTEREST OF ROTORK GEARS. ACCEPTANCE OF THIS DOCUMENT SHALL CONSTITUTE ACKNOWLEDGEMENT OF THE FOREGOING CONDITIONS



Drawn : H.L

Date : JAN.2000

Dwg Nr.: 0004-001

Rev.: 02