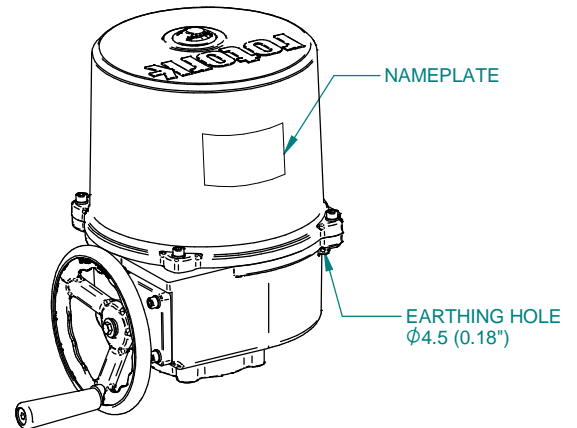
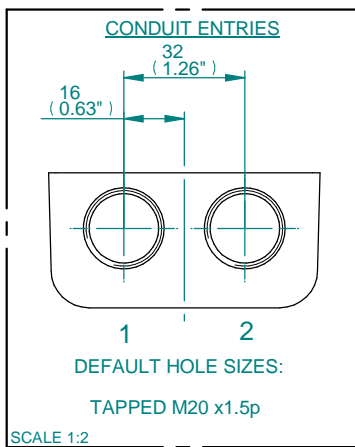
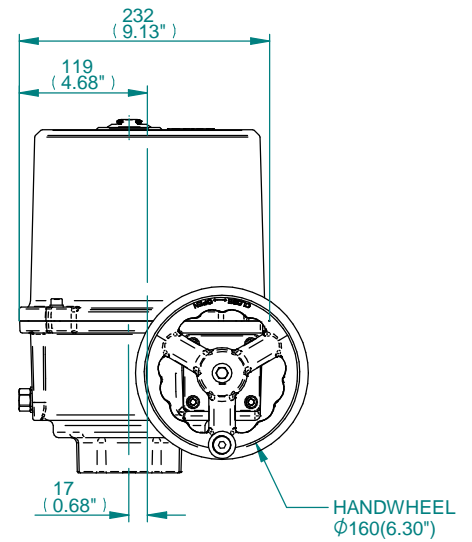
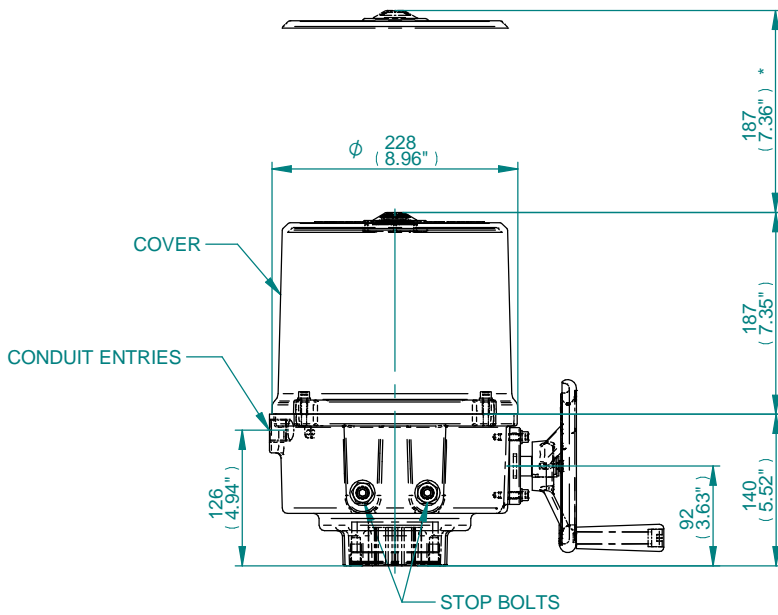
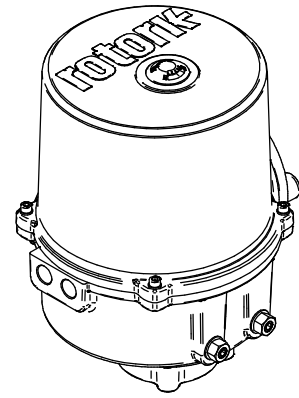
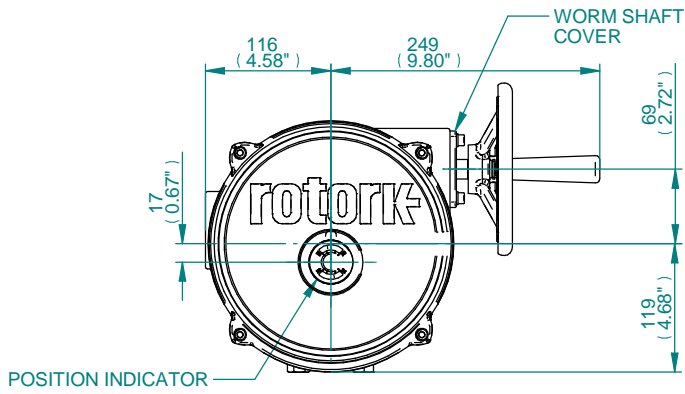


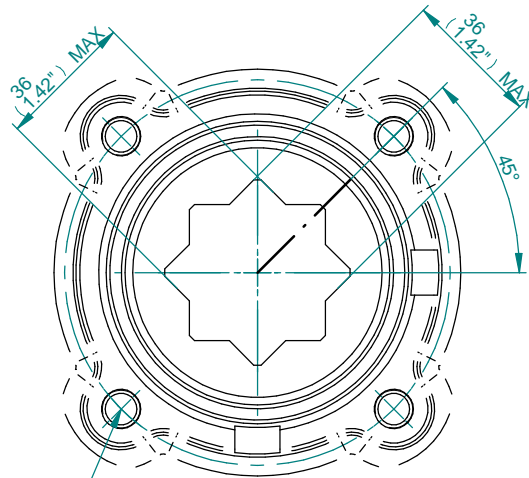
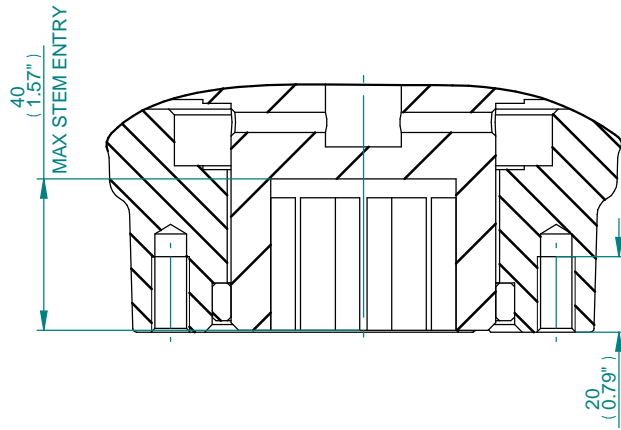
NOTES

*Removal allowance required.



NOTES

*Removal allowance required.



4 HOLES M10 x1.5p
EQUI-SPACED AS SHOEN
ON A102 PCD (ISO5211 F10)

ROM4,5,6 F10 Mounting Base Details