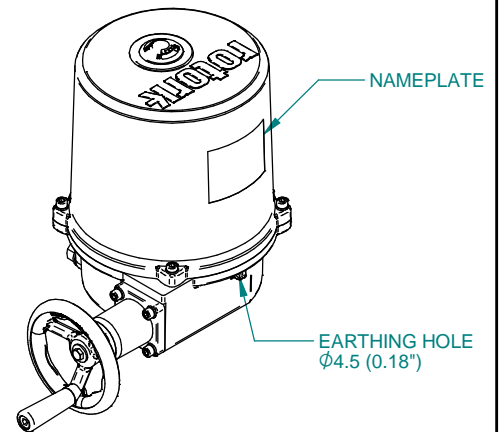
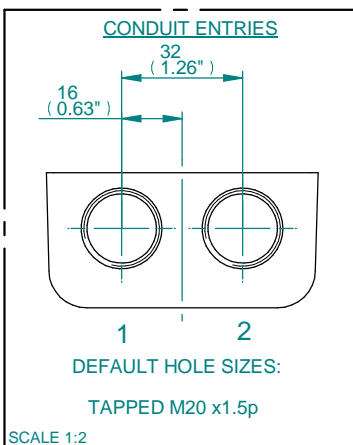
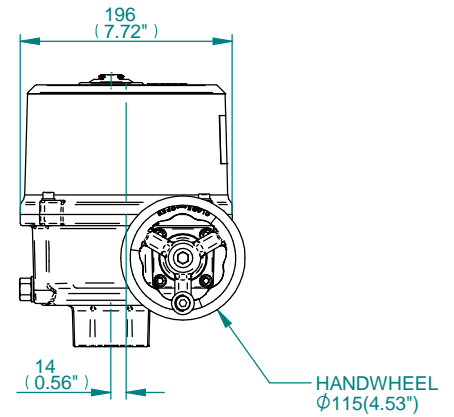
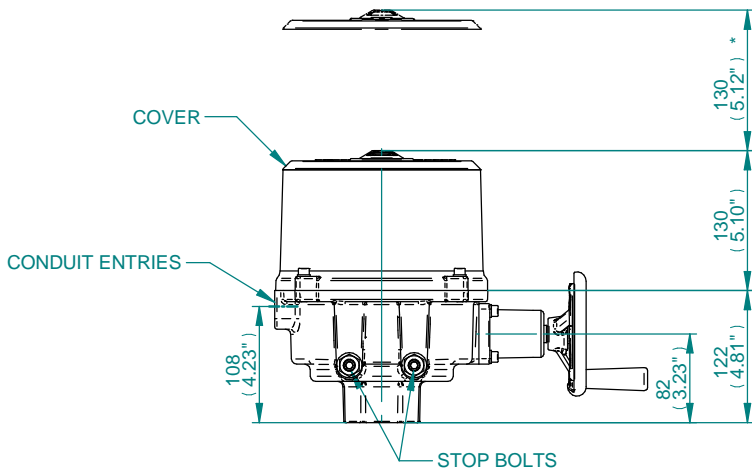
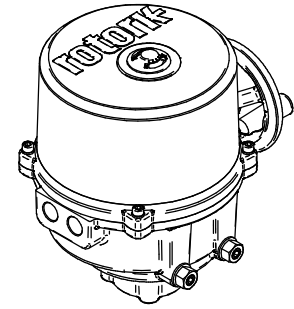
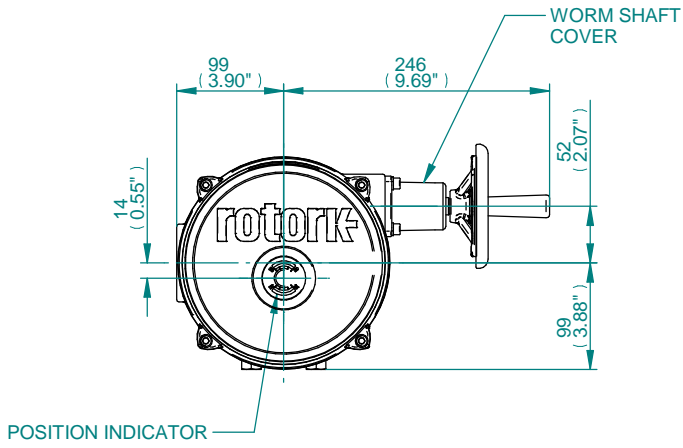


ROM-2	110V, 220V AC 1-Phase	SHORT COVER
	220V, 380V, 440V AC 3-Phase	
	12V, 24V AC/DC	LONG COVER

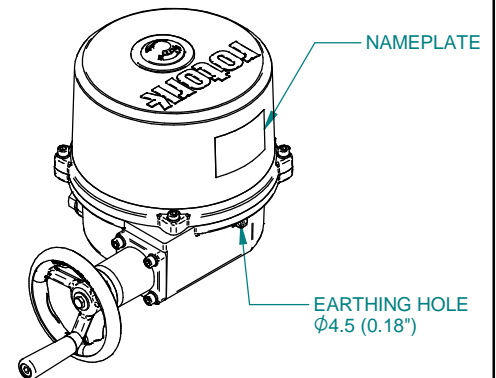
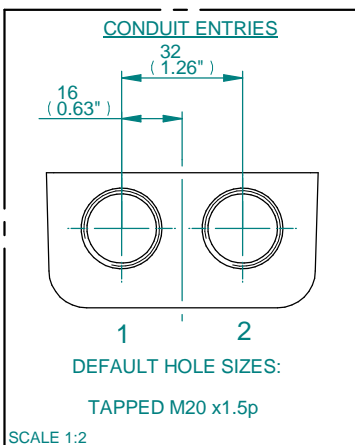


NOTES

\*Removal allowance required.

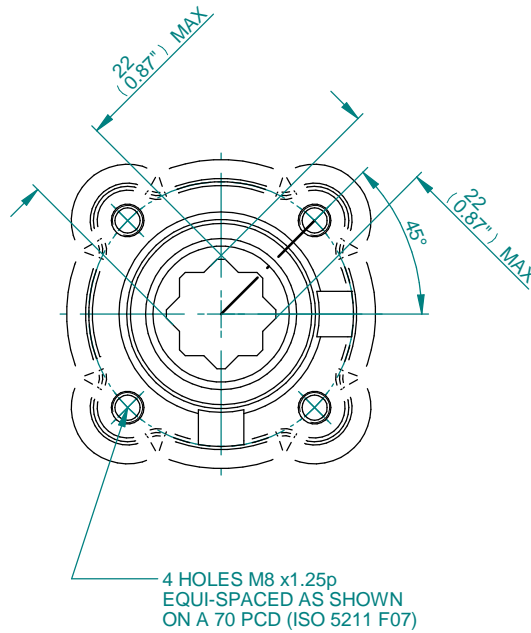
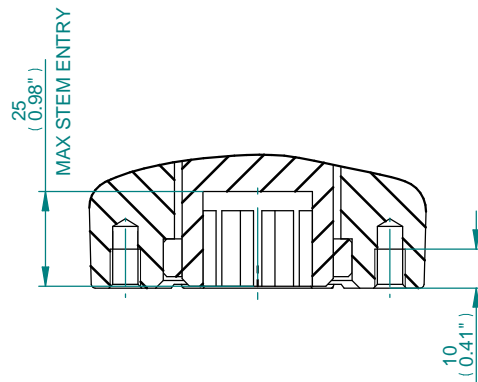


ROM-2	110V, 220V AC 1-Phase	SHORT COVER
	220V, 380V, 440V AC 3-Phase	
	12V, 24V AC/DC	LONG COVER



NOTES

\*Removal allowance required.



ROM2,3 F07 Mounting Base Details