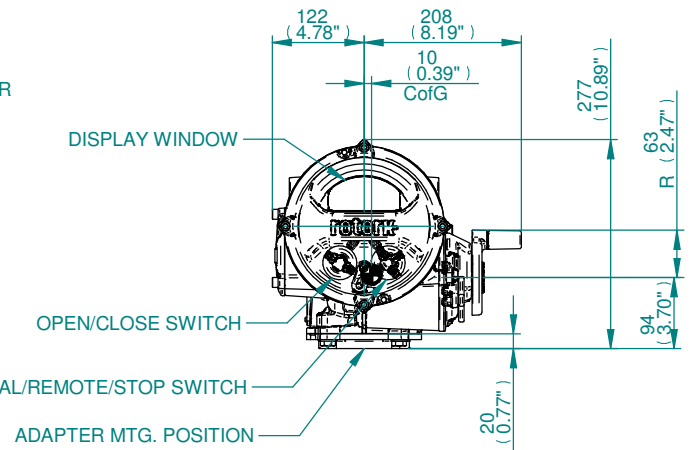
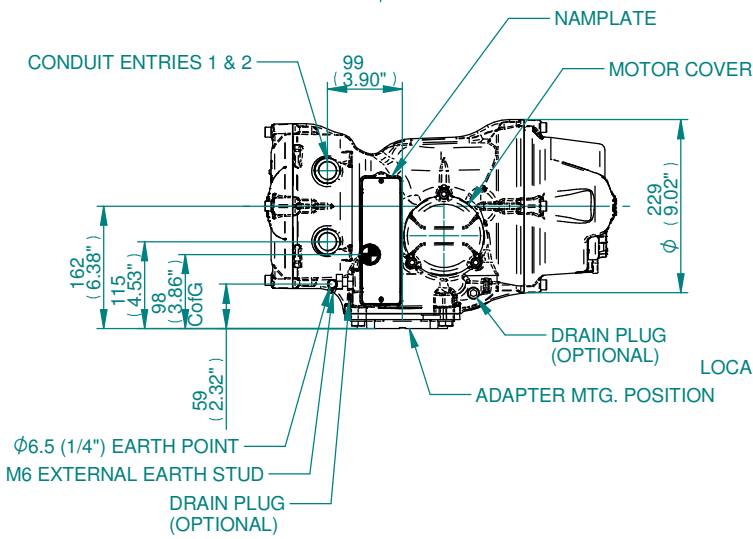
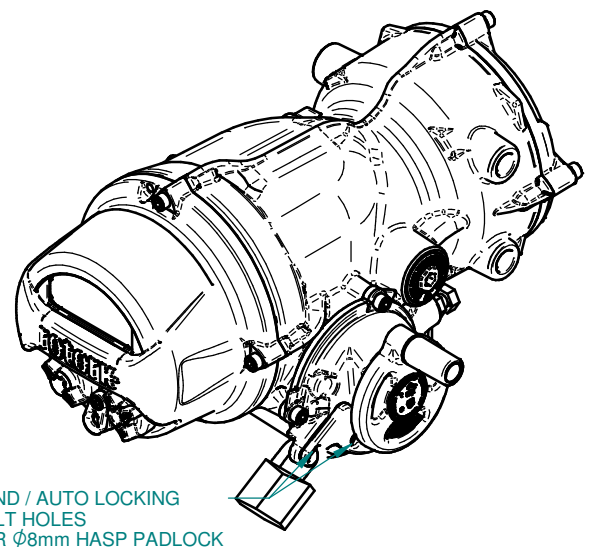
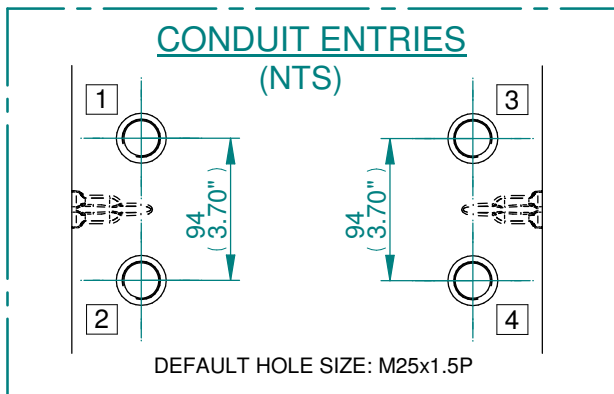
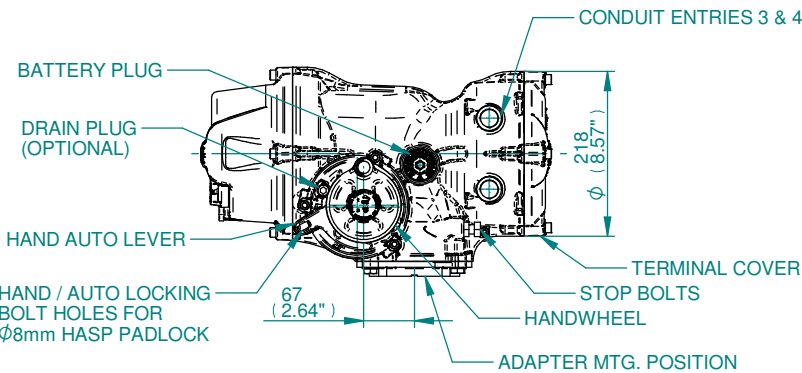
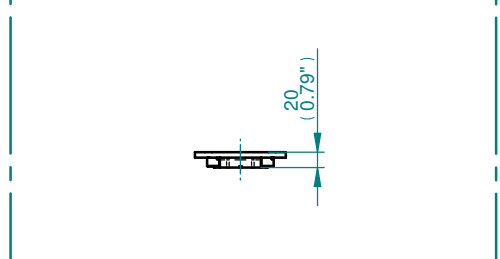


ELECTRONICS COVER



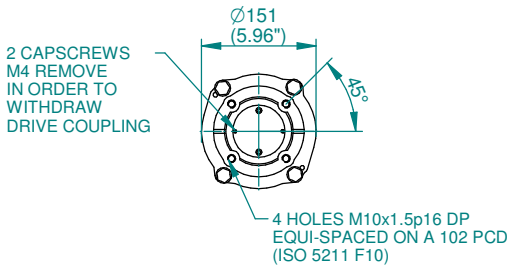
**F05/FA05 & F07/FA07  
BASE ADAPTER**



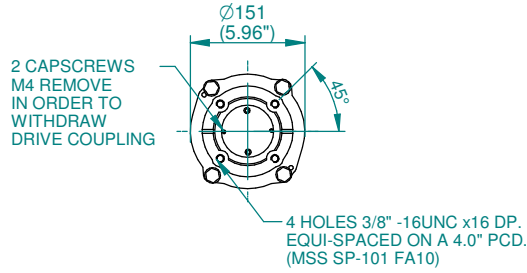
HAND / AUTO LOCKING  
BOLT HOLES  
FOR Ø8mm HASP PADLOCK

**NOTES**

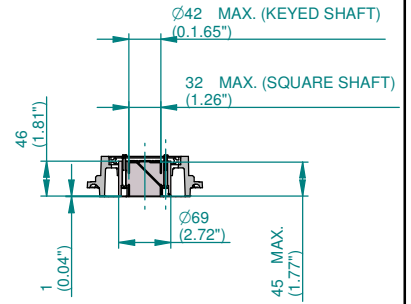
1. THE BASE ADAPTER SHOULD BE LOADED TO MTG POSITION INDICATED IF REQUIRED.
2. "\*" REMOVAL ALLOWANCE REQUIRED.



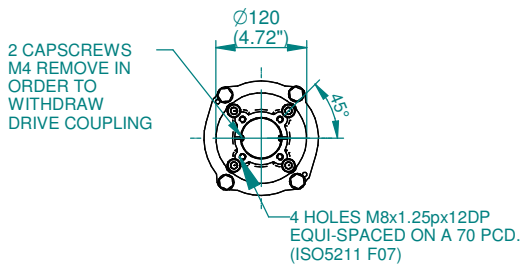
**F10 BASE DETAILS**



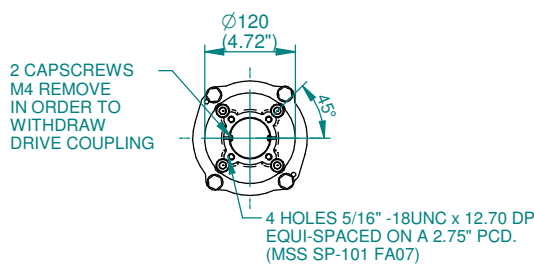
**FA10 BASE DETAILS**



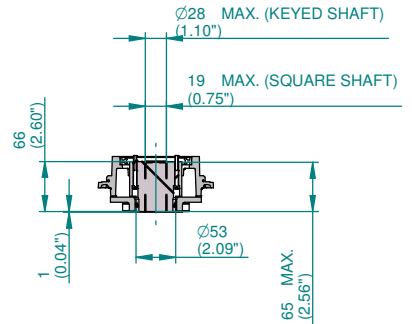
**COUPLING DETAILS  
(F10/FA10)**



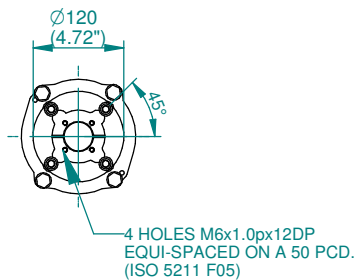
**F07 BASE DETAILS**



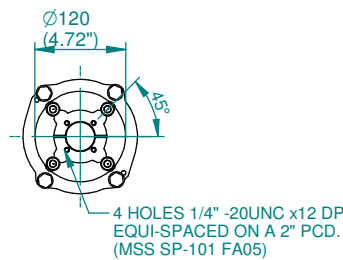
**FA07 BASE DETAILS**



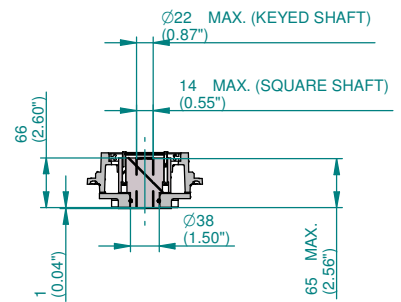
**COUPLING DETAILS  
(F07/FA07)**



**F05 BASE DETAILS**



**FA05 BASE DETAILS**



**COUPLING DETAILS  
(F05/FA05)**