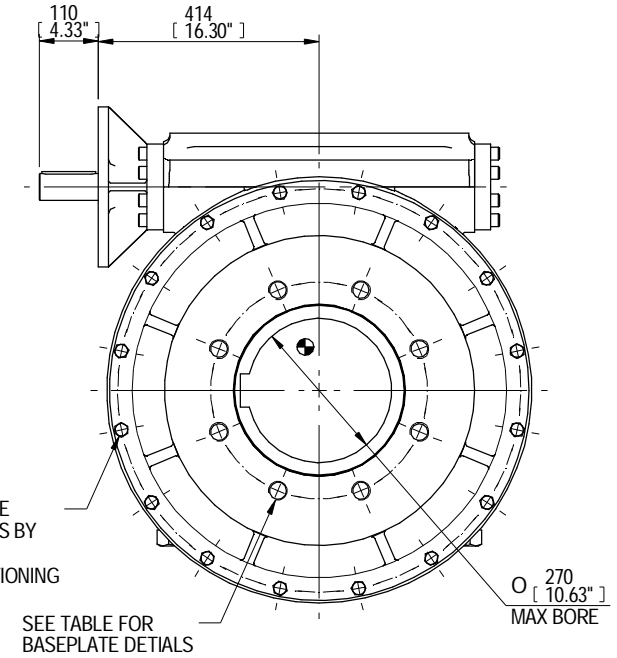
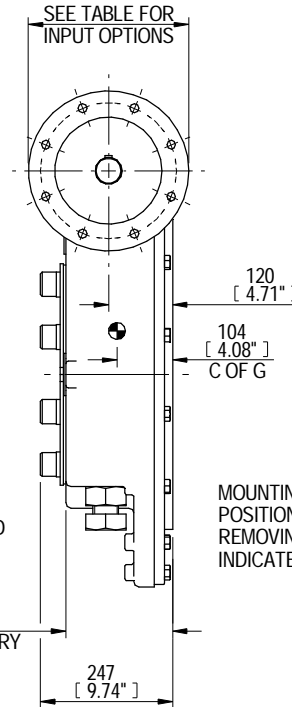
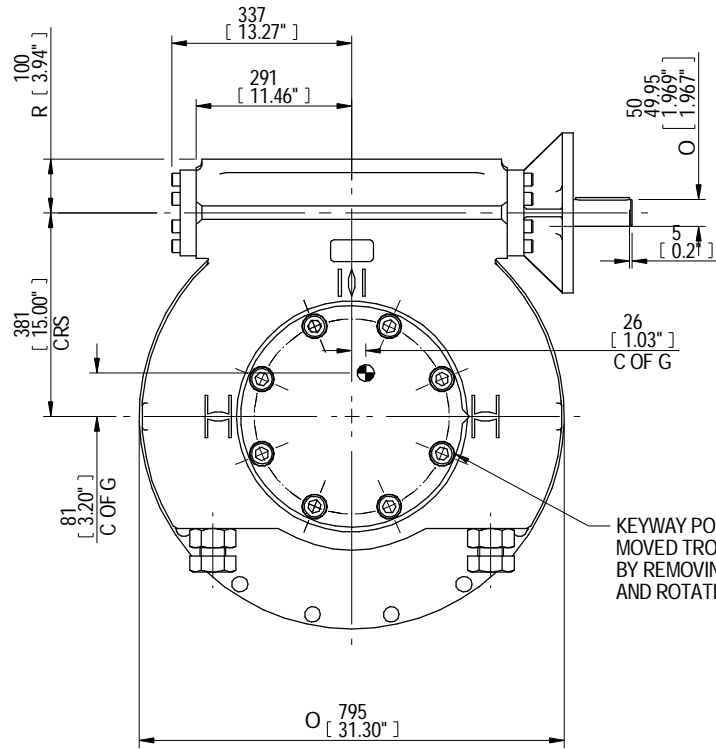


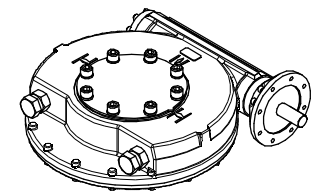
Drawing Number  
**PUB-IW11BB**



KEYWAY POSITION CAN BE MOVED THROUGH 45° STEPS BY REMOVING 8 SCREWS INDICATED AND ROTATING OUTPUT SLEEVE

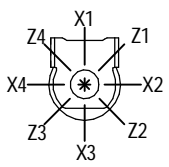
MOUNTING BOLTS CAN BE POSITIONED ON CENTERS BY REMOVING 16 BOLTS INDICATED AND REPOSITIONING

**VIEWS SHOWING MOTORISED OPERATED UNIT RATIO 60 ONLY**



**MOTORISED UNIT**

PLAN VIEW OF GEARBOX IN CLOSED POSITION SHOWING STANDARD KEYWAY POSITIONS. ALTERNATIVES AVAILABLE ON REQUEST



	INPUT FLANGE DETAILS					
	FLANGE O/DIA.	SHAFT DIA.	RECESS DIA.	RECESS DEPTH	HOLE DETAILS (OFF CENTRES)	KEY DETAILS
ISO F25	Ø300	Ø50.00-0.05	Ø200.10+0.1	5	8 HOLES Ø16.5 (Ø0.65")	14x9x100
	(Ø11.81")	(Ø1.969"-0.002")	(Ø7.878"+0.004")	(0.20")	ON Ø254.0 (Ø10.00") P.C.	(0.55"x0.35"x3.94")
FA25	Ø300	Ø50.00-0.05	Ø152.30+0.17	5	8 HOLES Ø16.5 (Ø0.65")	14x9x100
	(Ø11.81")	(Ø1.969"-0.002")	(Ø5.996"+0.007")	(0.20")	ON Ø254.0 (Ø10.00") P.C.	(0.55"x0.35"x3.94")
ISO F30	Ø350	Ø50.00-0.05	Ø230.10+0.10	6	8 HOLES Ø20.5 (Ø0.81")	14x9x100
	(Ø13.78")	(Ø1.969"-0.002")	(Ø9.059"+0.004")	(0.24")	ON Ø298.0 (Ø11.73") P.C.	(0.55"x0.35"x3.94")
ROTORK G30	Ø418	Ø50.00-0.05	Ø216.10+0.10	6	8 HOLES Ø23.0 (Ø0.91")	14x9x100
	(Ø16.46")	(Ø1.969"-0.002")	(Ø8.508"+0.004")	(0.24")	ON Ø356.0 (Ø14.02") P.C.	(0.55"x0.35"x3.94")

BASEPLATE DETAILS	
ISO 5211	HOLE DETAILS (22.5° OFF CENTRES)
ISO F40	8 HOLES M36x36 (1.42") DEEP
	ON Ø406.0 (Ø15.98") P.C.
FA40	8 HOLES 1.25" UNCx36 (1.42") DEEP
	ON Ø406.4 (Ø16.00") P.C.

		MAX BORE SQ KEY		MAX BORE RECTANGULAR KEY	
		STD	BORE	BORE	KEY
BS4235	-	-	-	270.0	63x32
BS46	-	-	-	10"	2.1/2"x1.7/8"
ANSI B17.1	9.4"	2.1/2" SQ	10.125"	2.1/2"x1.3/4"	

Rev	EC	Revised	Approved	Date	Change Description
A	-	-	-	12/09/13	FIRST ISSUE

AS PART OF CONTINUOUS PRODUCT DEVELOPMENT, ALL DETAILS SUBJECT TO CHANGE WITHOUT PRIOR NOTICE. FOR UP TO DATE DETAILS PLEASE VISIT [www.rotork.com](http://www.rotork.com)

**rotork** Gears  
Leeds - UK  
[www.rotork.com](http://www.rotork.com)

This drawing is confidential and is the property of Rotork Gears and must not be reproduced either wholly or partly. All rights in respect of patents, designs and copyrights are reserved. © 2013

Document type	<b>PUBLICITY</b>	Mass	<b>427.47 kg</b>	Title	<b>IW/MOW11 BIG BORE QUARTER TURN GEARBOX, 60:1 RATIO</b>
		Dimensions in mm			
		Scale		1:10	
Created	<b>martin.jones</b>	<b>10/09/2013</b>	Drawing Number		
Checked	<b>J DODD</b>	<b>12/09/2013</b>	<b>PUB-IW11BB</b>		
Approved			Sheet	1 of 1	Size A3

Rev.02