

CIRCUIT IS DRAWN FOR A VALVE IN THE FULLY CLOSED POSITION

WARNING

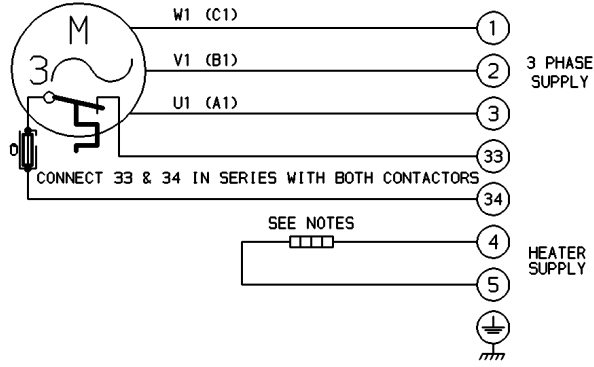
DO NOT RUN ACTUATOR TO LIMITS WITH INCORRECT PHASE ROTATION.

WHERE DISTANCES ARE GREAT BETWEEN ACTUATOR AND CONTROL GEAR, CABLE CAPACITANCE MAY CAUSE CONTACTORS TO STICK ON A.C. CIRCUITS

CONNECT OT/LS IN SERIES WITH OPEN CONTACTOR

CONNECT CT/LS IN SERIES WITH CLOSE CONTACTOR

THERMOSTAT RATING 70VA MAX



CIRCUIT DIAGRAM No - REV

2221-00-03

O - OPEN
C - CLOSE
T/LS - TORQUE/LIMIT SWITCHES
AS1 - AUXILIARY LIMIT SWITCHES MAKE CONTACT AT END OF TRAVEL
AS2 - AUXILIARY LIMIT SWITCHES BREAK CONTACT AT END OF TRAVEL
LINK SUPPLIED BY ROTORK
WIRES ARE IDENTIFIED AT EACH END BY TERMINAL NUMBERS OR BY WIRE NUMBERS SHOWN.

CAUTION
SOLID STATE LOGIC SYSTEMS USING ACTUATOR SWITCH SIGNAL INPUTS MUST BE DESIGNED TO PROVIDE A SWITCHING LOAD OF 1 WATT & 24V MINIMUM WITH A TIME CONSTANT NOT LESS THAN 10ms TO MINIMISE SENSITIVITY TO CONTACT VIBRATION.

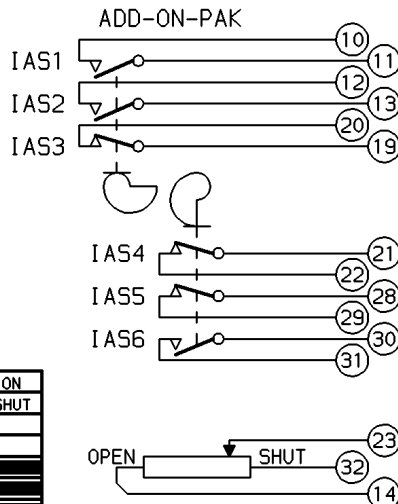
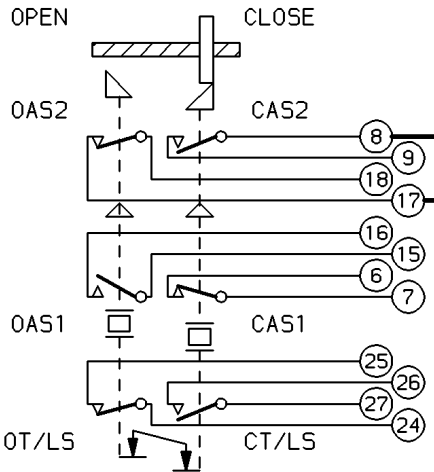
IAS1/2/3 - ADJUSTABLE TO OPERATE TOGETHER AT ANY POSITION (DRAWN AS FOR EXTRA OPEN AUXILIARY)
IAS4/5/6 - ADJUSTABLE TO OPERATE TOGETHER AT ANY POSITION (DRAWN AS FOR EXTRA CLOSE AUXILIARY)

IAS 1 TO 6 INTERMEDIATE AUXILIARY SWITCHES, CONTACT FUNCTIONS MAY BE REVERSED BY SETTING CAM TO RELEASE INSTEAD OF DEPRESS SWITCH AS ILLUSTRATED

12W (MAX) HEATER FITTED AS STANDARD. UNLESS OTHERWISE REQUESTED, HEATERS FITTED WILL BE:
120V (2K OHM) FOR 60HZ SUPPLIES, OR
240V (5.6K OHM) FOR 50HZ SUPPLIES.

THERMAL FUSE, ATEX APPROVED UNITS ONLY.

C.S.A. NOTE.
POTENTIOMETER SUPPLY TO BE FUSED. (1 AMP MAXIMUM)



TORQUE AND LIMIT SWITCH OPERATION			
SWITCH	OPEN	INTER	SHUT
OT/LS			
CT/LS			
CAS1			
CAS2			
OAS1			
OAS2			

ADD ON PAK 1 SWITCH OPERATION			
SWITCH	OPEN	INTER	SHUT
IAS1			
IAS2			
IAS3			
IAS4			
IAS5			
IAS6			

INDICATES SWITCH MADE

No	DATE	REVISION
1	20CT	REDRAWN ON CAD
2	FEB86	HEATER NOTE ADDED
03	Mar-03	ATEX THERMAL FUSE ADDED



ROTORK CONTROLS LTD
BATH ENGLAND, BA1 3JQ.
Phone 01225-733200

ROTORK CONTROLS INC
ROCHESTER, NY 14624.
tel (585) 328-1550

DRAWN BY K.S.
DATE 19-8-85
CHECKED A.S

SIMILAR TO .
JOB No .
M.I.No .

SYNCRASET WITH AOP1

CIRCUIT DIAGRAM No -REV

2221-00-03