

CIRCUIT IS DRAWN FOR A VALVE IN THE FULLY CLOSED POSITION WITH POWER OFF.

CIRCUIT DIAGRAM No - REV

1616X90-05

TRANSFORMER TAPPING OPTIONS

Pt No 33653 (TYPE AA)

TAP	NOM 50/60HZ	50HZ	60HZ
W	220/230	176-242	198-259
X	380/400	304-418	342-446
Y	415/420	332-457	374-487
Z	440/460	352-484	396-517

FUSE QF2 - 250mA ANTI-SURGE

Pt No 33642 (TYPE BB)

TAP	NOM 50/60HZ	50HZ	60HZ
W	346/380	285-388	321-419
X	480/500	406-552	432-564
Y	240/240	192-261	216-282
Z*	550/575	445-605	501-654

FUSE QF2 - 250mA ANTI-SURGE

\* 150mA ANTI-SURGE

Pt No 31836 (TYPE C)

TAP	NOM 50/60HZ	50HZ	60HZ
X	660/660	534-726	600-726

FUSE QF2 - 150mA ANTI-SURGE

ALL TRANSFORMER TYPES - QF4 500mA SLOW BLOW

WHEN FITTED QF1 AND QF3 WILL BE AS QF2.

MAX EXTERNAL LOAD ON TERMINALS 4 & 5 TO BE 6VA.

- 0 - OPEN
- C - CLOSE
- C1 & C2 - CONTACTOR COILS.
- T/LS - TORQUE/LIMITSWITCH
- AS1 - AUXILIARY LIMIT SWITCH MAKE CONTACT AT END OF TRAVEL
- AS2 - AUXILIARY LIMIT SWITCH BREAK CONTACT AT END OF TRAVEL

WIRES ARE IDENTIFIED AT EACH END BY TERMINAL No. OR BY WIRE No. SHOWN

FOR TYPICAL REMOTE CONTROL INDICATING, MONITORING AND ALARM CIRCUITS SEE PUBLICATION AE4/2

CONTROL SIGNAL THRESHOLD VOLTAGES MAXIMUM 'OFF' 3V. MINIMUM CONTROL SIGNAL 300ms.

E.S.D. CONTROL SIGNAL VOLTAGE MUST BE EQUAL TO OR GREATER THAN ALL OTHER CONTROL SIGNAL VOLTAGES.

IAS1/2/3 - ADJUSTABLE TO OPERATE TOGETHER AT ANY POSITION (DRAWN AS FOR EXTRA OPEN AUXILIARY)

IAS4/5/6 - ADJUSTABLE TO OPERATE TOGETHER AT ANY POSITION (DRAWN AS FOR EXTRA CLOSE AUXILIARY)

SWITCH	OPEN	INTER	SHUT
OT/LS			
CT/LS			
CAS1			
CAS2			
OAS1			
OAS2			

ADD ON PAK 1 SWITCH OPERATION

SWITCH	OPEN	INTER	SHUT
IAS1			
IAS2			
IAS3			
IAS4			
IAS5			
IAS6			

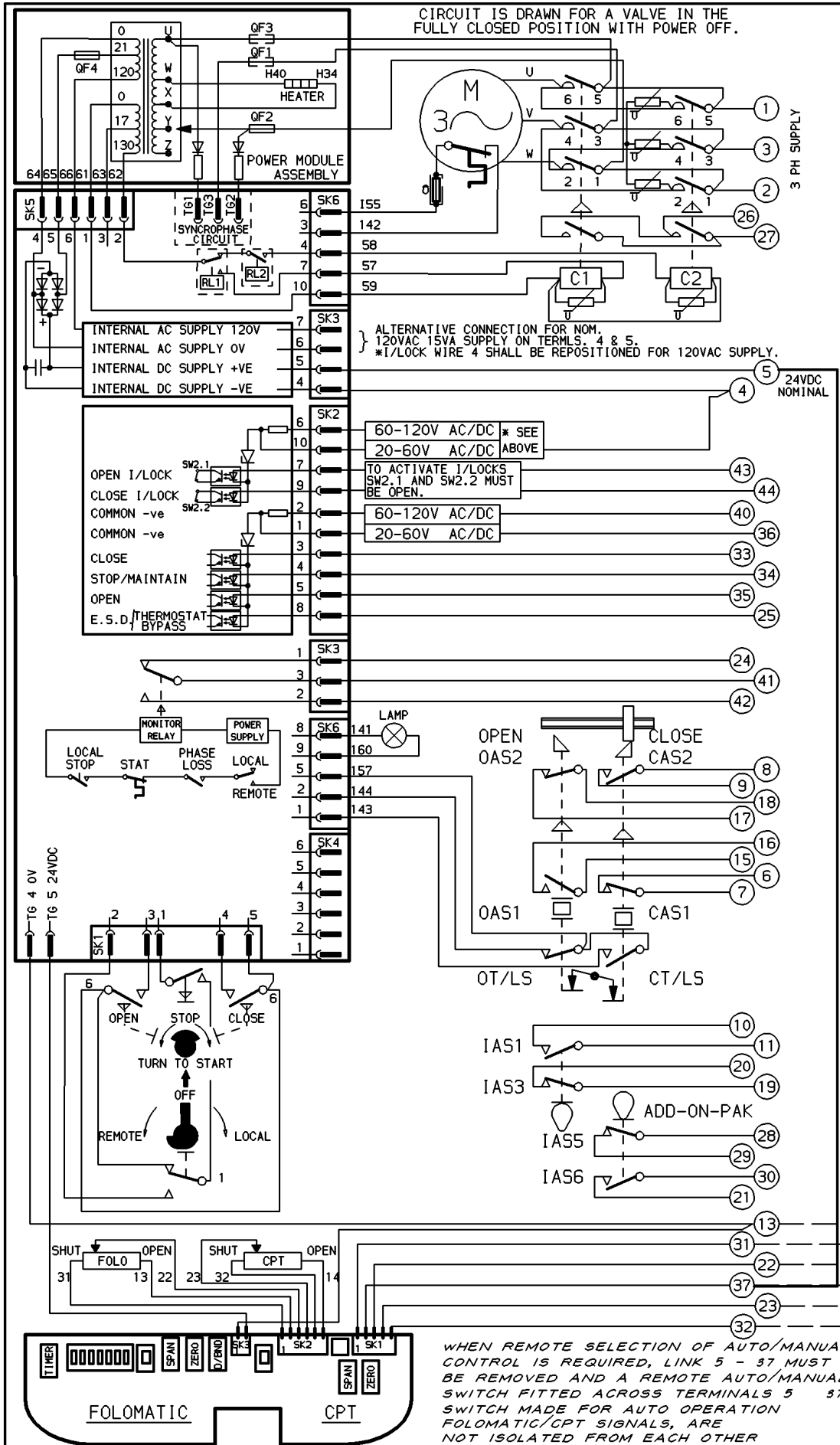
INDICATES SWITCH MADE

ANALOGUE INPUTS (FOR DETAILS, SEE ROTORK PUBLICATION AE4/0.1)

MANUAL/AUTO.

-ve (+ve)

THERMAL FUSE. ATEX APPROVED UNITS ONLY.



ALTERNATIVE CONNECTION FOR NOM. 120VAC 15VA SUPPLY ON TERMS. 4 & 5. \*I/LOCK WIRE 4 SHALL BE REPOSITIONED FOR 120VAC SUPPLY.

60-120V AC/DC \* SEE 20-60V AC/DC ABOVE TO ACTIVATE I/LOCKS SW2.1 AND SW2.2 MUST BE OPEN.

LOCAL STOP STAT PHASE LOSS LOCAL REMOTE

TURN TO START OFF REMOTE LOCAL

WHEN REMOTE SELECTION OF AUTO/MANUAL CONTROL IS REQUIRED, LINK 5 - 37 MUST BE REMOVED AND A REMOTE AUTO/MANUAL SWITCH FITTED ACROSS TERMINALS 5 37 SWITCH MADE FOR AUTO OPERATION FOLOMATIC/CPT SIGNALS, ARE NOT ISOLATED FROM EACH OTHER

No	DATE	REVISION
05	190406 D.A.	ATEX THERMAL FUSE ADDED CHECKED D.A.

**rotork**  
 ROTORK CONTROLS LTD  
 BATH ENGLAND, BA1 3JQ.  
 tel (0225) 428451  
 ROTORK CONTROLS INC  
 ROCHESTER, NY 14624.  
 tel (716) 328-1550

DRAWN T.A  
 DATE 270891  
 CHECKED K.S  
 DATE 270891

1600 MK5 + 2 POTS+FOLO +CPT+4 SW AOP1  
 CIRCUIT DIAGRAM No -REV  
 1616X90-05